



S10-210^{Q&As}

Storage Networking Management and Administration

Pass SNIA S10-210 Exam with 100% Guarantee

Free Download Real Questions & Answers **PDF** and **VCE** file from:

<https://www.passapply.com/s10-210.html>

100% Passing Guarantee
100% Money Back Assurance

Following Questions and Answers are all new published by SNIA
Official Exam Center

-  **Instant Download** After Purchase
-  **100% Money Back** Guarantee
-  **365 Days** Free Update
-  **800,000+** Satisfied Customers





QUESTION 1

Click the Exhibit button.

```
stat_wtx          2493559995  4-byte words transmitted
stat_wrx          11910199   4-byte words received
stat_ftx          75073403   Frames transmitted
stat_frx          9008398    Frames received
stat_c2_frx       0          Class 2 frames received
stat_c3_frx       9008117   Class 3 frames received
stat_lc_rx        164         Link control frames received
stat_mc_rx         0          Multicast frames received
stat_mc_to         0          Multicast timeouts
stat_mc_tx         0          Multicast frames transmitted
er_enc_in         0          Encoding errors inside of frames
er_crc            0          Frames with CRC errors
-----
er_trunc          0          Frames shorter than minimum
er_toolong        0          Frames longer than maximum
er_bad_eof        0          Frames with bad end-of-frame
er_enc_out        3073        Encoding error outside of frames
er_bad_os         14811       Invalid ordered set
er_rx_c3_timeout  0          Class 3 receive frames discarded due to
timeout
er_tx_c3_timeout  0          Class 3 transmit frames discarded due to
timeout
er_c3_dest_unreach 0          Class 3 frames discarded due to destination
unreachable
er_other_discard  644         Other discards
=)
```

Referring to the exhibit, which three switch indicators will help you to determine the stability of a link? (Choose three.)

- A. er_crc
- B. er_toolong
- C. er_enc_in
- D. er_bad_eof
- E. er_trunk

Correct Answer: ACD

QUESTION 2

Which two cloud deployment models address data privacy issues? (Choose two.)

- A. Community
- B. Public
- C. Private



- D. Hybrid
- E. Campus

Correct Answer: CD

QUESTION 3

Click the Exhibit button.

Single Link consists of 4 lanes and each lane operates at:
--2.5 (SDR), 5 (DDR), or 8 (QDR) Gbps

```
-----Physical Link-----  
Lane 0           Lane 1           Lane 2           Lane 3  
SDP             byte 0           byte 1           byte 2  
byte 3         byte 4           byte 5           EGP
```

SDP = Start Data Packet
EGP = End Good Packet}

The physical interface shown in the exhibit is taken from which transport protocol?

- A. Ethernet
- B. FCP
- C. FCoE
- D. InfiniBand

Correct Answer: D

QUESTION 4

Some business critical database applications have been suffering from slowly increasing performance issues with one enterprise SAN-attached storage system. In particular, the applications are showing higher than normal read response times.

What should the storage administrator monitor to determine the root cause?

- A. Storage utilization
- B. Available free space
- C. Write response time
- D. Cache hit rate

Correct Answer: D



QUESTION 5

Your company asks you to increase restore speeds. What should you do?

- A. Upgrade existing LTO3 drives to LTO5 drives to take advantage of faster read/write speeds and larger tape cartridge sizes.
- B. Add a mirrored disk based backup target that can be used for backups that support point-in-time recovery.
- C. Attach the existing tape libraries to a backup server with local drives configured with RAID 5.
- D. Attach a JBOD drive array to the backup media server to improve the read performance of the backup catalog.

Correct Answer: B

QUESTION 6

A company has a storage subsystem that supports a variety of replication options. They have purchased an identical array and placed it at a secondary site 4,200 km away and want to keep the two arrays as closely synchronized as possible.

Which solution should be chosen?

- A. Asynchronous replication is the only replication option for distances of this length.
- B. Synchronous replication is the only replication option for distances over 4,000 km.
- C. Snapshots allow for data to be quickly captured, copied, and mounted from one storage array to another and is the ideal solution for all distances.
- D. Synchronous replication will keep the arrays in the closest sync and is ideal for short distances such as 4,200 km.

Correct Answer: A

QUESTION 7

You are performing an FC switch replacement and you want to ensure that no hosts will be disconnected from its storage.

Which multipathing software feature, on a server, must be supported and configured for a server to continue to have access to the fabric attached storage in this scenario?

- A. Active-passive
- B. Path failover
- C. Round-robin
- D. Standby



Correct Answer: B

QUESTION 8

A solution architect needs to know how your switches enforce zoning. The enforcement method and identification type being used in your current FC switches must provide the highest level of security.

Which zoning enforcement should you use?

- A. Session-based without hardware support
- B. Frame-based and hardware support
- C. Software-based with hardware support
- D. Frame-based and software enforced

Correct Answer: B

QUESTION 9

You have two new FC switches from the same vendor and want to connect them together. You have ensured that the domain IDs are unique, switch names are unique, and the firmware levels are identical. When you connect the ISL cables from one switch to the other, the fabric does not merge.

What should be confirmed?

- A. Ensure the ISL ports are E_Ports.
- B. Ensure the ISL ports are B_Ports.
- C. Ensure the ISL ports are F_Ports.
- D. Ensure the ISL ports are N_Ports.

Correct Answer: A

QUESTION 10

You are provisioning storage to a host with multipathing software installed and correctly configured. You discover that there are four paths to LUNs instead of the expected eight paths.

Why does this happen?

- A. Incorrect zoning
- B. Incorrect multipathing policy
- C. Incorrect LUN masking
- D. Incorrect LUN size



Correct Answer: A

QUESTION 11

You need to add an iSCSI host and storage array to your environment. Your manager wants at least two options that allow all iSCSI initiators to query a central management server to locate the address of all iSCSI resources (e.g., iSCSI initiators, targets, switches, and management stations).

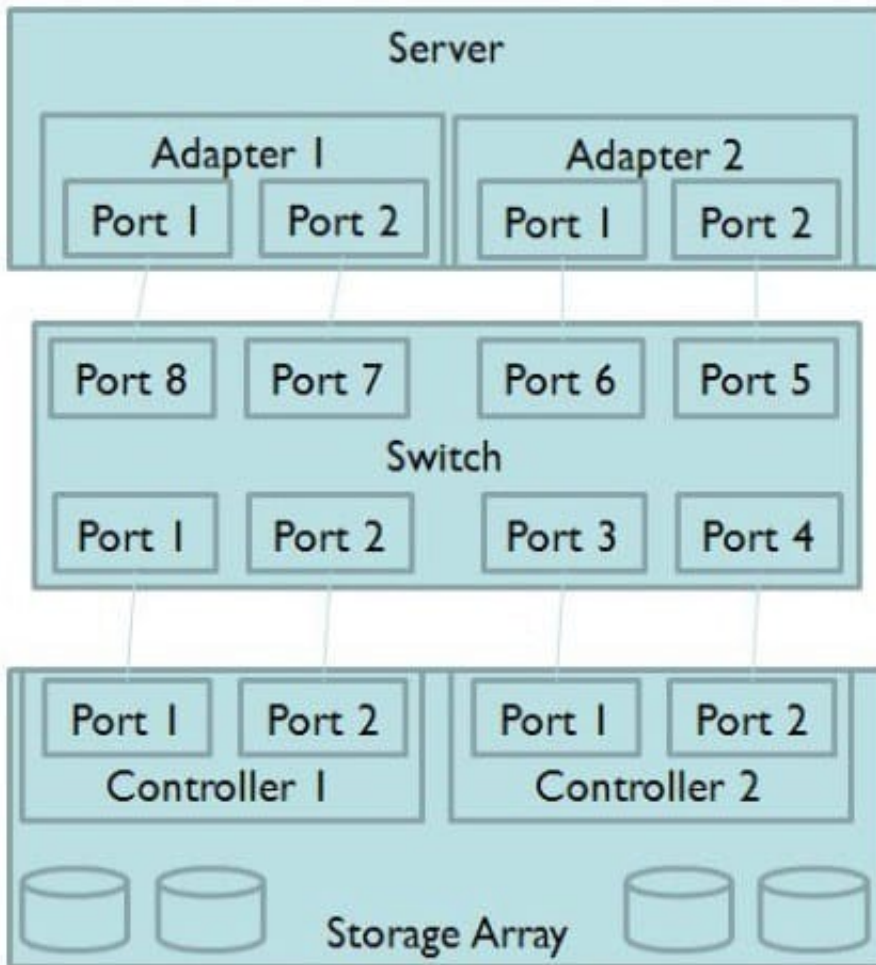
Which two protocol methods would be used? (Choose two.)

- A. Directory Name Service protocol (DNS)
- B. Simple Network Management Protocol (SNMP)
- C. Internet Storage Name Server protocol (iSNS)
- D. Service Location Protocol (SLP)

Correct Answer: CD

QUESTION 12

Click the Exhibit button.



Referring to the exhibit, what are the two largest risks to a highly available solution? (Choose two.)

- A. Only two adapters per controller
- B. Only two adapters on the server
- C. Only one server
- D. Only one switch

Correct Answer: CD

QUESTION 13

After provisioning a new LUN to a host, new storage cannot be detected on the host. Which three actions should be performed to troubleshoot this problem? (Choose three.)

- A. Scan memory on a host.
- B. Scan for new storage on the host,
- C. Verify that LUN mapping is correct.



- D. Verify that zoning on the FC switch is correct.
- E. Verify that the size of memory pages and block size is the same.

Correct Answer: BCD

QUESTION 14

A number of servers are experiencing slower than expected performance. Analyzing the server, switch, and storage logs do not indicate any issues. You have been asked by the customer to address this issue.

What will improve performance?

- A. Increase the current queue depth setting from 1.
- B. Change the frame size from 2148 bytes,
- C. Decrease the buffer-to-buffer credits setting.
- D. Enable write caching functionality for the device driver.

Correct Answer: A

QUESTION 15

Which storage related offering serves as intermediaries to multiple cloud storage providers?

- A. Cloud storage provider
- B. Cloud storage broker
- C. Cloud storage gateway
- D. Cloud storage shifting

Correct Answer: C

[S10-210 PDF Dumps](#)

[S10-210 Practice Test](#)

[S10-210 Exam Questions](#)