



NS0-520^{Q&As}

NetApp Certified Implementation Engineer - SAN ONTAP

Pass NetApp NS0-520 Exam with 100% Guarantee

Free Download Real Questions & Answers **PDF** and **VCE** file from:

<https://www.passapply.com/ns0-520.html>

100% Passing Guarantee
100% Money Back Assurance

Following Questions and Answers are all new published by NetApp
Official Exam Center

-  **Instant Download** After Purchase
-  **100% Money Back** Guarantee
-  **365 Days** Free Update
-  **800,000+** Satisfied Customers





QUESTION 1

Which path selection policy is used by Windows Servers using NetApp LUNs that are greater than 2 TB?

- A. Least Queue Depth
- B. Round Robin
- C. Round Robin with Subset Policy
- D. Least Weighted Paths

Correct Answer: C

QUESTION 2

You want to move a SAN LIF and preserve its configuration information and avoid rezoning the switch fabric. In this scenario, which two steps must be performed to fulfill this goal? (Choose two)

- A. Move the SAN LIF to another node in a cluster on a different storage virtual machine (SVMs)
- B. Keep the SAN LIF online before it is moved
- C. Take the SAN LIF offline before it is moved
- D. Move the SAN LIF to another node in a cluster on existing storage virtual machine (SVMs)

Correct Answer: CD

Moving SAN LIFs If a node needs to be taken offline, you can move a SAN LIF to preserve its configuration information, such as its WWPN, and avoid rezoning the switch fabric. Because a SAN LIF must be taken offline before it is moved, host traffic must rely on host multipathing software to provide nondisruptive access to the LUN. You can move SAN LIFs to any node in a cluster, but you cannot move the SAN LIFs between storage virtual machines (SVMs). You can find more information on this link: <https://docs.netapp.com/ontap-9/index.jsp?topic=%2Fcom.netapp.doc.dot-cm-sanag%2FGUID-09F5C2A3-FA66-4252-BEEF-D556A143CD30.html>

QUESTION 3

You use iSCSI to present a LUN to a newly installed Windows 2016 Server. You have created the volume and LUN on the NetApp cluster. When you perform a hardware rescan on the Windows host, you cannot see the newly presented storage.

What are three reasons for this problem? (Choose three.)

- A. The protocol has not been enabled on the NetApp cluster.
- B. You need to add the IQN of the Windows host to the newly created LUN.
- C. The IQN of the Windows host is not included in the igroup for the new LUN.
- D. The wrong igroup has been associated with the new LUN.



E. The volume has not been enabled for iSCSI access.

Correct Answer: ABD

QUESTION 4

Click the Exhibit button.

```
::> volume show
Vserver  Volume                                     Aggregate  State  Type  Size  Available  Used%
-----  -
svm_fcpl moved_parent_temp_1033_100_vol1 node_01_aggr1 offline  TMP   1TB   -          -
svm_fcpl vol1                                     node_02_aggr1 online   RW    1TB   19.31GB   1%
svm_fcpl vol1_clone1                         node_01_aggr1 online   RW    1TB   19.28GB   1%
svm_fcpl vol1_clone2                         node_01_aggr1 online   RW    1TB   19.28GB   1%
svm_fcpl vol1_clone3                         node_01_aggr1 online   RW    1TB   19.28GB   1%
```

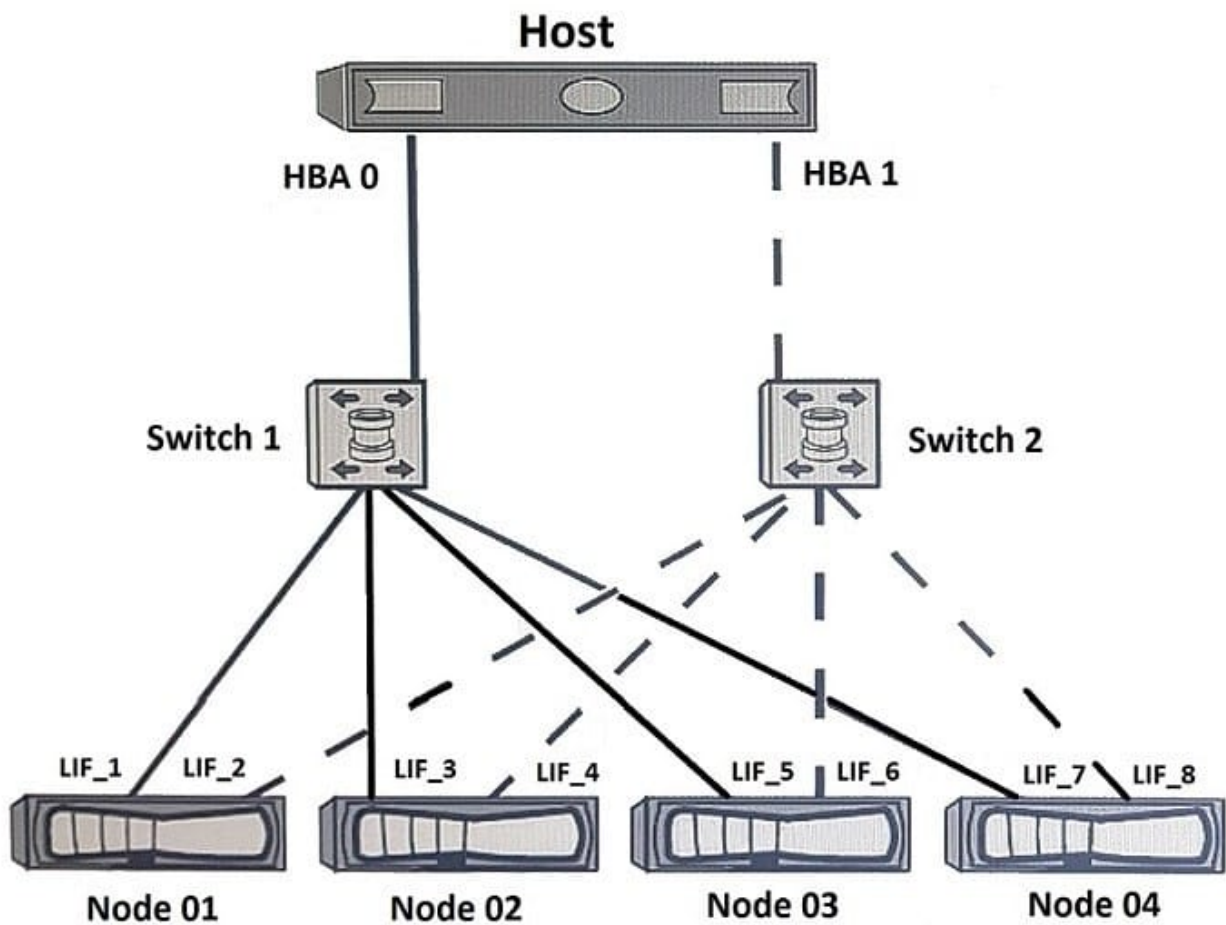
You notice that your volume named vol1 has a temporary volume that is doubling the space that is used by the volume. In this scenario, which operation caused the volume to take up twice the space?

- A. FlexClone
- B. SnapRestore
- C. FlexGroup
- D. SnapMirror

Correct Answer: D

Reference: <https://community.netapp.com/t5/Data-ONTAP-Discussions/Volume-takes-much-more-space-than-expected/td-p/100619>

QUESTION 5



You configured a SAN host with a 4-node ONTAP 9.5 cluster that uses default settings. All paths are available from the host to the four nodes. You have a requirement to see only two paths to each LUN. One path is optimized and the other is non-optimized.

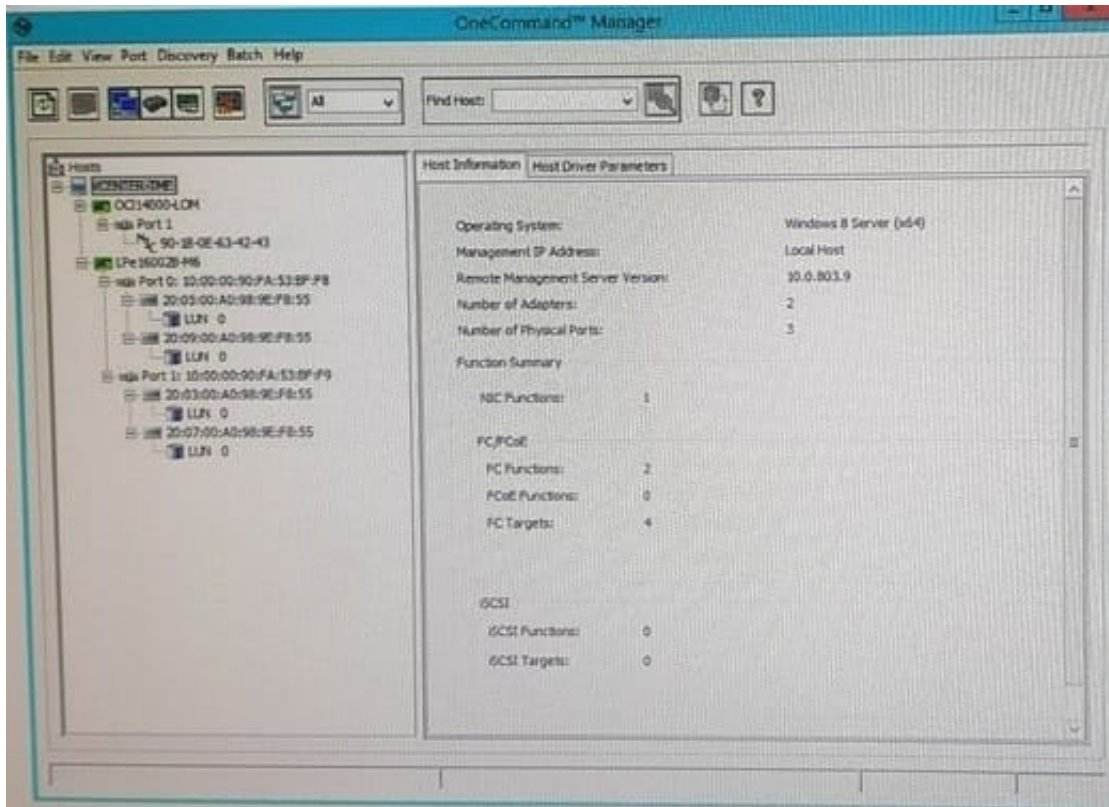
In this scenario, which NetApp SAN feature supports this requirement?

- A. portsets
- B. SLM
- C. VLANs
- D. igroups

Correct Answer: C

QUESTION 6

Exhibit.



Referring to the exhibit, what is the total number of target LUNs that are being accessed?

- A. 4
- B. 1
- C. 2
- D. 8

Correct Answer: B

QUESTION 7

Exhibit.

```
svml> volume show -fields space-guarantee
vserverspace-guarantee
-----
svml          voll  none

svml> lun show -fields space-reserve
vserverspace-reserve
-----
svml  /vol/voll/lun1  enabled
```

Referring to the exhibit, which two statements are true? (Choose two.)

- A. The volume guarantee has no effect.



- B. LUN overwrites are guaranteed.
- C. The LUN might run out of space.
- D. The LUN space reservation has no effect.

Correct Answer: BC

QUESTION 8

Your server administrator upgraded a Windows 2016 Server from 16 Gb to 32 Gb HBAs. The application owner is now reporting slower performance to the AFF A700.

Which two actions will help troubleshoot performance on the server? (Choose two.)

- A. Verify the HBA model using Hardware Universe.
- B. Verify the HBA firmware using the Interoperability Matrix Tool.
- C. Confirm that LUN mapping exists.
- D. Confirm that Windows Host Utilities Is installed.

Correct Answer: AB

QUESTION 9

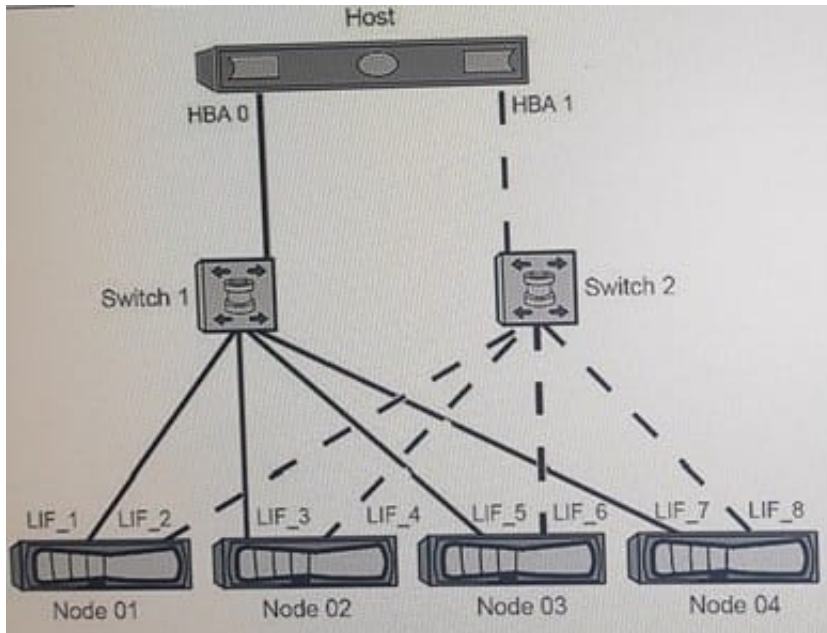
The ESX host reports inconsistent performance for iSCSI-based connectivity. In this scenario, what would cause this problem?

- A. The host and storage are connected to different switches.
- B. The flow control was disabled on the storage.
- C. The hardware initiators were used instead of software.
- D. The flow control is enabled on the storage.

Correct Answer: B

QUESTION 10

Exhibit.



A customer is testing a dual-fabric FC SAN configuration as shown in the exhibit. The zones are implemented on the switches shown below.

Switch 1 / Zone 1: HBA 0, LIF_1, LIF_3, LIF_5, and LIF_7
Switch 2 / Zone 2: HBA 1, LIF_2, LIF_4, LIF_6, and LIF_8

IF all the nodes are in the SLM reporting nodes list, how many paths per LUN should the customer expect when simulating a node failure by powering off Node 04?

- A. 4 paths
- B. 6 paths
- C. 8 paths
- D. 2 paths

Correct Answer: B

QUESTION 11

You are about to replace a failed Brocade Fibre Channel switch. Which three steps do you take prior to connecting the switch in the SAN? (Choose three.)

- A. Force the new switch to be the principle switch.
- B. Change the domain ID of the replacement switch to the domain ID of the failed switch.
- C. Clear all zoning configurations on the replacement switch.
- D. Change the core PID format of the replacement switch to the core PID format of the failed switch.
- E. Preload the zoning information from the fabric onto the new switch.



Correct Answer: BCD

QUESTION 12

You will be purchasing two high availability NetApp AFF A700s systems. You want to set up a 4-node cluster. Which switch would you use for the cluster interconnect switches?

- A. NetApp CN1610
- B. Cisco Nexus 3132Q-V
- C. Cisco Nexus 5548UP
- D. Cisco Nexus 5020

Correct Answer: B

QUESTION 13

After the addition of extra DS224C disk shelves, you notice that the output of the system node run `-node node_1 sysconfig` command shows Mixed-path. You need to investigate why the additional shelves are providing this error. In this scenario, which two tools would help diagnose this issue? (Choose two.)

- A. Config Advisor
- B. Active IQ
- C. Hardware Universe (HWU)
- D. Interoperability Matrix Tool (IMT)

Correct Answer: AD

QUESTION 14

You are planning to expand a SAN-only ONTAP 9.5 cluster that consists of eight AFF A700 nodes. In this scenario, what is the maximum number of additional AFF A700 nodes that would be added?

- A. 2
- B. 4
- C. 8
- D. 0

Correct Answer: B

QUESTION 15



A customer experiences intermittent connectivity problems between an ESXi server and FC LUNs in an SVM. The customer has examined the nodes hosting the LUNs and both the disk and CPU performance are below 50% utilization. The customer examined the switch ports connected to the storage array, and they are also below 50% utilization.

Which two steps would you perform next in this scenario? (Choose two.)

- A. Verify that the host is using SnapDrive.
- B. Verify that the host Ethernet interfaces are using jumbo frames.
- C. Verify that the host recommended settings were applied by Virtual Storage Console.
- D. Verify that the HBA queue depth is set properly.

Correct Answer: CD

[NS0-520 Practice Test](#)

[NS0-520 Exam Questions](#)

[NS0-520 Braindumps](#)