



# NS0-192<sup>Q&As</sup>

NetApp Certified Support Engineer

## Pass NetApp NS0-192 Exam with 100% Guarantee

Free Download Real Questions & Answers **PDF** and **VCE** file from:

<https://www.passapply.com/ns0-192.html>

100% Passing Guarantee  
100% Money Back Assurance

Following Questions and Answers are all new published by NetApp  
Official Exam Center

-  **Instant Download** After Purchase
-  **100% Money Back** Guarantee
-  **365 Days** Free Update
-  **800,000+** Satisfied Customers





### QUESTION 1

You need to establish a volume SnapMirror relationship between two different clusters on your network. Which three elements are necessary for SnapMirror to work? (Choose three.)

- A. volume peering
- B. intercluster LIFs
- C. cluster peering
- D. SVM peering
- E. cluster LIF

Correct Answer: CBD

---

### QUESTION 2

A customer has a Window PC connected to an SMB share for a newly created volume on ONTAP storage. The share properties indicate that it has 475 GB free. However, the volume is configured as a 500 GB volume.

Which technology is responsible for this situation?

- A. deswizzling
- B. deduplication
- C. Snapshot reserve
- D. compression

Correct Answer: D

---

### QUESTION 3

Which two statements are true concerning FlexClone volumes? (Choose two.)

- A. A FlexClone volume can be created in a different aggregate than the parent volume if space is an issue.
- B. A FlexClone volume is created with the same language setting as its parent.
- C. A FlexClone volume is created, any LUNs present in the parent volume are already online and mapped.
- D. A FlexClone volume is a point-in-time, writable copy of the parent FlexVol volume.

Correct Answer: BD

Reference:

<https://library.netapp.com/ecmdocs/ECMP1196986/html/GUID-284A0B23-DE4D-4E97-B333EF4646D2CB1D.html>

---



#### QUESTION 4

After replacing a failed disk, the disk does not appear as a spare on any node in the cluster.

What should be done to correct this problem?

- A. Physically remove the disk and re-seat it firmly in the storage bay.
- B. Physically remove and re-seat each IOM in the shelf, one at a time.
- C. Assign ownership of the replaced disk to a node.
- D. Add the disk into an aggregate on either node.

Correct Answer: C

---

#### QUESTION 5

A customer created a new volume on an SVM for testing. During the first day of testing, the customer copied data to the volume using NFS and consumed 75% of the free space. The second day of testing required the existing data to be deleted and replaced by an equal amount of different data. During the copy, an error message stated that the volume was full.

What would explain the observed error?

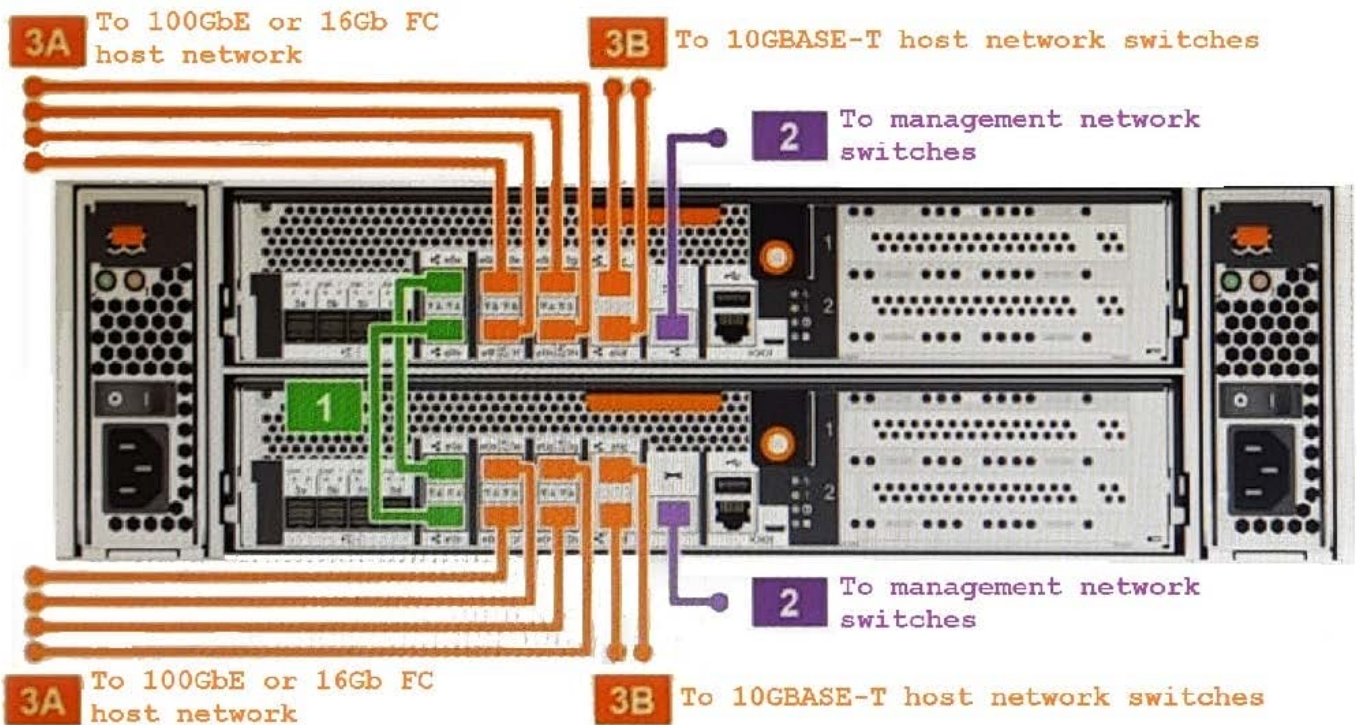
- A. The user did not have permissions to the export.
- B. The client lost connectivity to the export.
- C. Vscan stopped the write due to an infection.
- D. The old data is still contained within a snapshot.

Correct Answer: B

---

#### QUESTION 6

Click the Exhibit button.



You are troubleshooting HA interconnect link connection errors.

Referring to the exhibit, which physical connections should you examine?

- A. 1
- B. 3B
- C. 3A
- D. 2

Correct Answer: C

**QUESTION 7**

You are migrating volumes from an older aggregate to a new aggregate using the vol move command. You notice that, after completion, access to these volumes is slower until a certain process finishes. Which process is causing the problem in this scenario?

- A. deswizzling
- B. active bitmap rearrangement
- C. snap create
- D. container block reclamation

Correct Answer: D



### QUESTION 8

A customer recently experienced a panic on one node of an ONTAP cluster. Prior to performing the giveback, they want to know what caused the panic. You request data from the customer to assist Support in determining the cause of the panic.

What information should be requested in this situation? (Choose three.)

- A. panic string
- B. Perfstat
- C. core dump
- D. message logs
- E. packet trace

Correct Answer: ACD

---

### QUESTION 9

When you expand an aggregate, the spare partitions can be added as only a new RAID group, even though the current RAID group size is large enough for the current and new partitions.

In this scenario, which statement is correct?

- A. The partitions to be added share disks with the partitions in the existing RAID group.
- B. RAID group size is used only when dealing with non-partitioned disks.
- C. Only nonpartitioned disks can be added to a RAID group with existing partitions.
- D. The aggregate must be converted to RAID-TEC to expand RAID groups using partitions.

Correct Answer: A

---

### QUESTION 10

Which statement describes how memory and NVRAM are used by ONTAP during write requests?

- A. The write request enters memory and is passed to NVRAM and the partner's NVRAM, a write acknowledgement is sent to the client, and data is written to disk at the next consistency point.
- B. The write request enters NVRAM and is passed to the partner's NVRAM, data is written to disk, and a write acknowledgement is sent to the client.
- C. The write request enters memory and is passed to the partner's NVRAM, data is written to disk, and a write acknowledgement is sent to the client.
- D. The write request enters memory, a write acknowledgement is sent to the client, the request is passed to the partner's NVRAM, and data is written to disk.



Correct Answer: C

Reference: <https://bitpushr.wordpress.com/category/performance/>

[Latest NS0-192 Dumps](#)

[NS0-192 VCE Dumps](#)

[NS0-192 Study Guide](#)