



NS0-157^{Q&As}

NetApp Certified Data Administrator, Clustered Data ONTAP

Pass Network Appliance NS0-157 Exam with 100% Guarantee

Free Download Real Questions & Answers **PDF** and **VCE** file from:

<https://www.passapply.com/ns0-157.html>

100% Passing Guarantee
100% Money Back Assurance

Following Questions and Answers are all new published by Network Appliance Official Exam Center

-  **Instant Download** After Purchase
-  **100% Money Back** Guarantee
-  **365 Days** Free Update
-  **800,000+** Satisfied Customers





QUESTION 1

What must be configured to support inter-cluster Snapmirror relationships?

- A. Cluster peer relationship
- B. Intercluster port role
- C. Junction path for the mirrored volume
- D. Minimum transfer size

Correct Answer: A

QUESTION 2

In clustered Data ONTAP, the NFS mount or the CIFS share path need to contain the following:

- A. Vserver root volume
- B. Absolute path of the volume
- C. Aggregate name for the volume
- D. Junction path name for the volume

Correct Answer: D

QUESTION 3

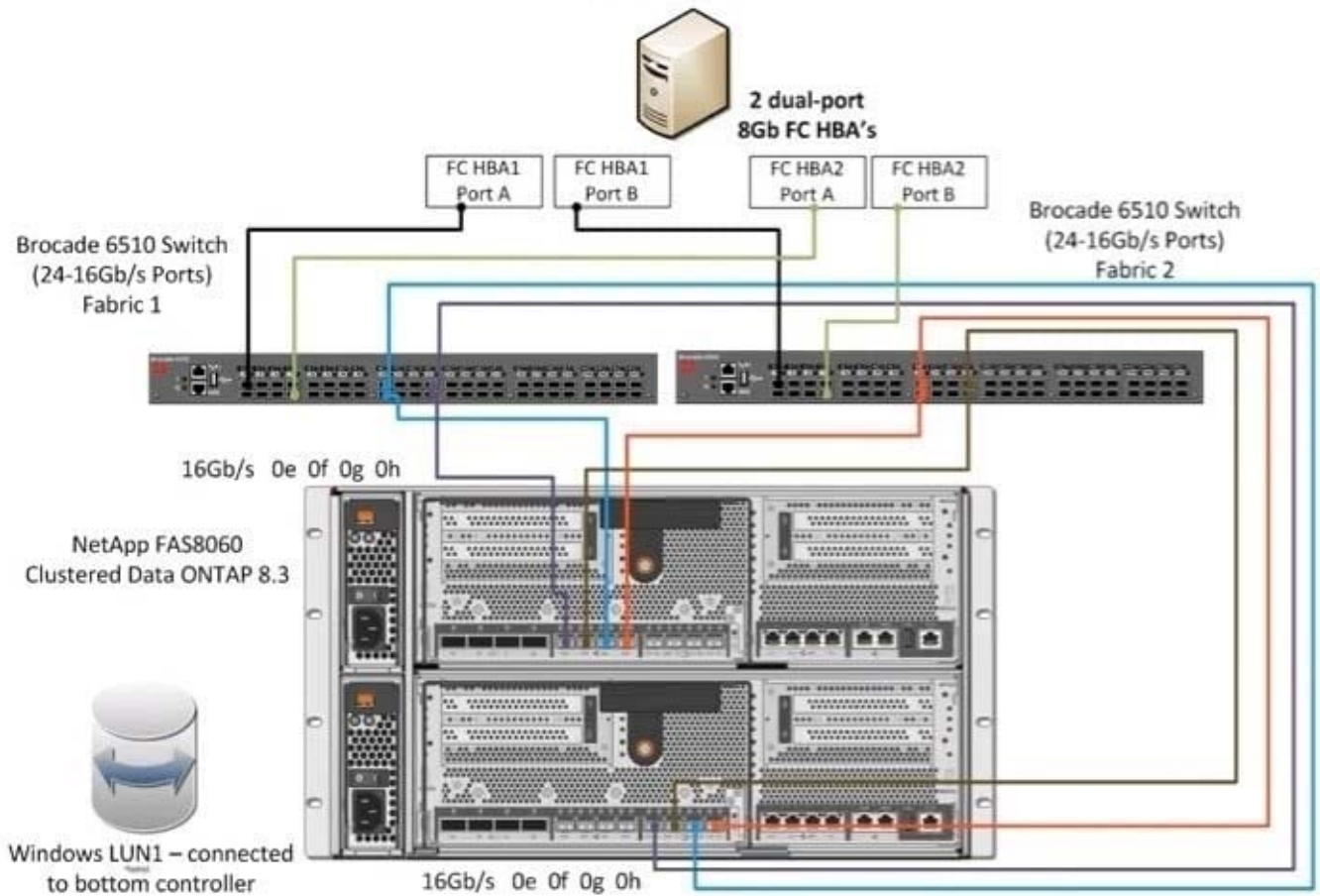
Click the Exhibit button.



Multipath Host Connectivity

Microsoft Windows 2012 64-bit Servers

Win2012Server1



Referring to the exhibit, how many paths to the LUN will the host see?

- A. 32
- B. 16
- C. 8
- D. 4

Correct Answer: D

QUESTION 4

For Vserver-aware NDMP backups, the _____ must be enabled with cluster-aware backup extensions.

- A. vServer management LIF
- B. DMA server
- C. Data LIF



D. Node management LIF

Correct Answer: C

https://library.netapp.com/ecm/ecm_download_file/ECMP1196874

QUESTION 5

Which hidden directory points to a Snapshot copy from an SMB client?

- A. /snapshot
- B. .snapshot
- C. snapshot
- D. %snapshot

Correct Answer: C

hidden ~snapshot directory is accessible Reference: <https://library.netapp.com/ecmdocs/ECMP1196891/html/GUID-6D832809-1E60-4041-BF08-D390CB6B3D89.html>

The method that you use to access the ~snapshot directory from Windows clients using SMB

<https://library.netapp.com/ecmdocs/ECMP1196891/html/GUID-6D832809-1E60-4041-BF08D390CB6B3D89.html>

QUESTION 6

What tool can be used to map IQNs to LUNs for a Vserver?

- A. Protection Manager
- B. OnCommand System Manager
- C. Operations Manager
- D. Unified Element Manager

Correct Answer: B

Link: https://library.netapp.com/ecm/ecm_download_file/ECMP1196784

QUESTION 7

Which two backup engines are supported within clustered Data ONTAP? (Choose two.)

- A. SMT ape
- B. dump



- C. tape
- D. xcopy

Correct Answer: BC

Reference: https://library.netapp.com/ecm/ecm_download_file/ECMP1196874

QUESTION 8

Which logical interface does not have migration nor failover migration capabilities?

- A. cluster management
- B. node management
- C. data
- D. target

Correct Answer: B

QUESTION 9

What is a NetApp storage system Ethernet port name?

- A. e0/1
- B. g0/1
- C. e0a
- D. eth0

Correct Answer: C

Reference: <http://community.netapp.com/t5/OnCommand-Storage-Management-Software-Discussions/e0M-Management-SP-Port/td-p/18499>

QUESTION 10

Which four features does Cluster-Mode support? (Choose four.)

- A. Data protection mirrors
- B. Load-sharing mirrors
- C. NDMP tape backup
- D. Non-disruptive upgrades



E. Synchronous SnapMirror

Correct Answer: ABCD

QUESTION 11

Which feature is NOT supported by clustered Data ONTAP 8.2?

- A. Synchronous SnapMirror
- B. Data Protection Mirrors
- C. Load Sharing Mirrors
- D. Non-disruptive upgrades

Correct Answer: A

QUESTION 12

Which two NFS versions are supported on clustered Data ONTAP 8.3? (Choose two.)

- A. NFSv1
- B. NFSv2
- C. NFSv3
- D. NFSv4

Correct Answer: CD

Configure clustered Data ONTAP 8.3 for NFSv3, NFSv4, and NFSv4.1, including parallel NFS (pNFS)

QUESTION 13

A customer has a 4-node cluster. Two nodes have FlashCache and the other two nodes have Flash Pools. The customer is interested in deploying an OLTP application with a workload that consists of an extreme number of small random writes on four LUNs spread across four volumes.

What should the customer do to improve performance for the OLTP application?

- A. Place all volumes for the application on the nodes with Flash Pools.
- B. Deploy all volumes for the application on the two nodes with the FlashCache installed.
- C. Split the volumes between the two nodes with FlashCache and two of the nodes with Flash Pools.
- D. Place the volume with the highest read load on the Flash Pool nodes and place the other volumes on the FlashCache nodes.



Correct Answer: B

QUESTION 14

Which two SMB versions does Data ONTAP Cluster-Mode support? (Choose Two)

- A. SMB 1.0
- B. SMB 2.0
- C. SMB 3.0
- D. SMB 4.0

Correct Answer: AB

<http://gurkulindia.com/main/2013/06/enhancements-to-nfs-and-smb-netapp-clustermode/>

QUESTION 15

What is the minimum version of clustered Data ONTAP that supports shelf hot-remove?

- A. 8.2.1
- B. 7.3.3
- C. 8.0.1
- D. 8.3

Correct Answer: A

If your system is running Data ONTAP 8.2.1 or later, you can hot-remove disk shelves--physically remove disk shelves that have had the aggregates removed from the disk drives--in a clustered Data ONTAP multipath HA configuration with DS14 disk shelves that is up and serving data. Reference:

<https://library.netapp.com/ecmdocs/ECMP1367947/html/GUID-2B80FBD2-007D-4D19-8EB19CCEED211001.html>

[NS0-157 PDF Dumps](#)

[NS0-157 Practice Test](#)

[NS0-157 Study Guide](#)