



# MS-720<sup>Q&As</sup>

Microsoft Teams Voice Engineer

**Pass Microsoft MS-720 Exam with 100% Guarantee**

Free Download Real Questions & Answers **PDF** and **VCE** file from:

<https://www.passapply.com/ms-720.html>

100% Passing Guarantee  
100% Money Back Assurance

Following Questions and Answers are all new published by Microsoft  
Official Exam Center

-  **Instant Download** After Purchase
-  **100% Money Back** Guarantee
-  **365 Days** Free Update
-  **800,000+** Satisfied Customers





### QUESTION 1

DRAG DROP

You need to provision a Microsoft Teams-certified common area phone device at a field site. The solution must ensure that a standard user can complete the physical handset tasks without sharing credentials.

Which four actions should you perform in sequence? To answer, move the appropriate actions from the list of actions to the answer area and arrange them in the correct order.

Select and Place:

#### Actions

Acquire phone numbers.

Assign phone numbers to users.

Run the `Set-CsUser` cmdlet.

Run the `New-CsOnlineNumberPortInOrder` cmdlet.

Run the `New-CsHybridTelephoneNumber` cmdlet.

Create valid emergency addresses.

#### Answer Area

Correct Answer:



### Actions

Run the <code>Set-CsUser</code> cmdlet.
Run the <code>New-CsOnlineNumberPortInOrder</code> cmdlet.
Run the <code>New-CsHybridTelephoneNumber</code> cmdlet.

### Answer Area

Acquire phone numbers.
Create valid emergency addresses.
Assign phone numbers to users.

### QUESTION 2

Your company uses Microsoft Skype for Business Server 2015 and Enterprise Voice as the PSTN solution.

You plan to migrate all users to Microsoft Teams Calling Plans.

You will decommission Skype for Business Server after the migration is complete.

You need to ensure that all the users retain their current phone number once the migration is complete. The solution must minimize the downtime of PSTN features for each user.

What should you do first?

- A. From the Microsoft 365 admin center, purchase Communications Credits for all the users.
- B. Schedule a port order for the phone numbers of all the users.
- C. From the Microsoft Teams admin center, order phone numbers for all the users.
- D. Migrate all the users to Teams.

Correct Answer: B

Reference: <https://docs.microsoft.com/en-us/microsoftteams/phone-number-calling-plans/transfer-phone-numbers-to-teams>

### QUESTION 3



You need to provide Microsoft Teams users with the ability to perform PSTN calling through a Session Border Controller (SBC). Which licenses can you assign to achieve the goal?

- A. Office 365 E3 and Office 365 E5
- B. Microsoft 365 E3 and Microsoft 365 E5
- C. Microsoft 365 E5 and Office 365 E5
- D. Office 365 E3 and Microsoft 365 E3

Correct Answer: D

---

#### QUESTION 4

You are planning a Microsoft Teams Phone deployment that will use Direct Routing. You need to allow traffic from Microsoft 365 to a Session Border Controller (SBC). Which IP address ranges should you allow through the firewall?

- A. 132.245.0.0/16 and 40.104.0.0/15
- B. 10.10.0.0/24 and 10.11.0.0/24
- C. 8.8.8.8/32 and 4.4.2.2/32
- D. 52.112.0.0/14 and 52.120.0.0/14

Correct Answer: D

Reference: <https://docs.microsoft.com/en-us/microsoftteams/direct-routing-plan>

---

#### QUESTION 5

You have a Microsoft Teams Phone deployment

You assign a Microsoft 365 E5 license to a user named User1.

You need to enable User1 for Direct Routing.

Which PowerShell cmdlet should you run?

- A. Set-CsCallingLineIdentity
- B. Set-CsUser
- C. Set-CsOnlineVoiceUser
- D. Set-CsUserServicesPolicy

Correct Answer: A

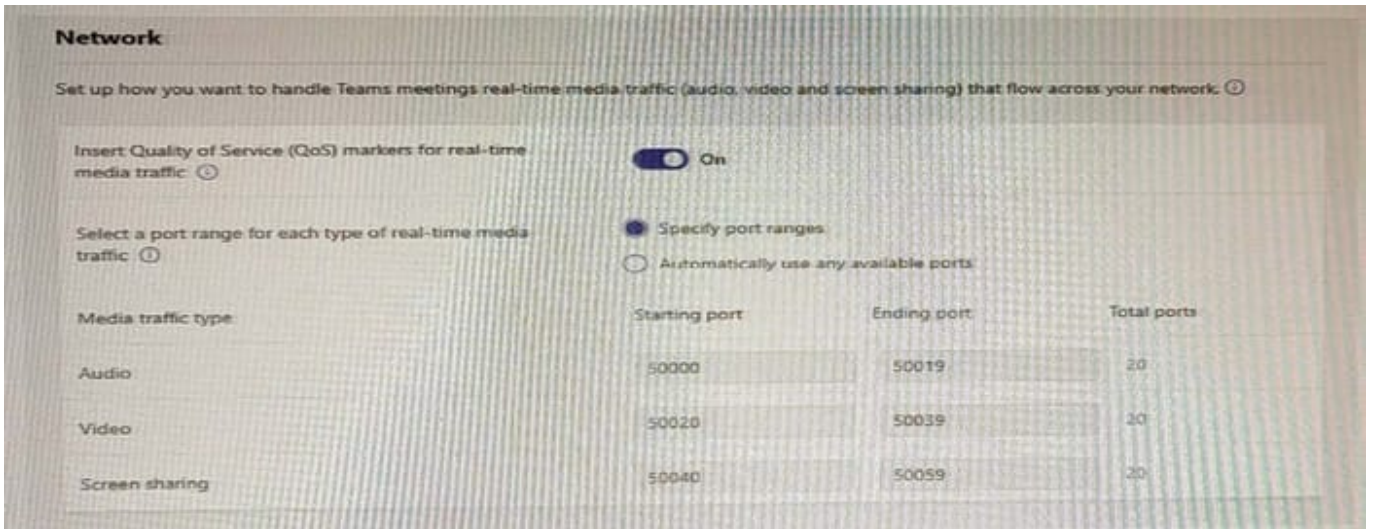
---

#### QUESTION 6



HOTSPOT

The network meeting settings for Microsoft Teams are configured as shown in the following exhibit.



Use the drop-down menus to select the answer choice that completes each statement based on the information presented in the graphic. NOTE: Each correct selection is worth one point.

Hot Area:

The Teams Transport Relay service will use UDP ports [answer choice].

- ▼
- 3478 through 3481
- 50000 through 50019
- 50020 through 50039
- 50040 through 50050

If you set Insert Quality of Service (QoS) markers for real-time media traffic to **Off**, the Teams Transport Relay Service will use UDP port [answer choice].

- ▼
- 80
- 443
- 3478
- 50000

Correct Answer:



The Teams Transport Relay service will use UDP ports [answer choice].

	▼
3478 through 3481	
50000 through 50019	
50020 through 50039	
50040 through 50050	

If you set Insert Quality of Service (QoS) markers for real-time media traffic to **Off**, the Teams Transport Relay Service will use UDP port [answer choice].

	▼
80	
443	
3478	
50000	

### QUESTION 7

You are optimizing a network to better support voice and collaboration workloads in Microsoft Teams.

When the users are at a specific corporate site, you need to prevent the users from adding video during calls.

Solution: You run New-CsTeamsMeetingPolicy and set the -iPVideoHode parameter to disabled.

Does this meet the goal?

A. Yes

B. No

Correct Answer: A

### QUESTION 8

DRAG DROP

Your company has a main office in New York and a branch office in Calgary. All offices connect to each other by using a dedicated WAN.

You have a Microsoft Teams Phone deployment.

You need to recommend a Direct Routing solution that meets the following requirements:

1.

If a Session Border Controller (SBQ fails in the New York office, PSTN services must remain available through a local PSTN egress in New York.

2.

The Calgary office must prioritize a local PSTN egress and ensure that PSTN services remain available in the event of a



local SBC outage.

3.

The number of SBCs must be minimized.

What should you recommend for each office? To answer, drag the appropriate components to the correct offices. Each component may be used once, more than once, or not at all. You may need to drag the split bar between panes or scroll

to view content.

NOTE: Each correct selection is worth one point.

Select and Place:

Press <b>CTRL+ALT+DELETE</b>	
Configure the Remote Desktop settings and sign out	
From Settings in the Microsoft Teams Rooms app, select <b>Windows settings</b>	
Select the Administrator account and enter the password	
From Settings in the Microsoft Teams Rooms app, select the <b>Account</b> tab	

Correct Answer:





	Configure the Remote Desktop settings and sign out
	Select the Administrator account and enter the password
From Settings in the Microsoft Teams Rooms app, select <b>Windows settings</b>	Press <b>CTRL+ALT+DELETE</b>
From Settings in the Microsoft Teams Rooms app, select the <b>Account</b> tab	

### QUESTION 9

#### DRAG DROP

Your company has offices in Seattle.

You deploy Microsoft Teams Phone. You have three Session Border Controller (SBCs) named SBC1, SBC2, and SBC3.

You need to configure voice routing to meet the following requirements:

1.  
All calls to area codes 425 and 206 must attempt to go to SBC1, and if SBC1 is unavailable, fail over to SBC2.
2.  
All other calls to the United States and Canada must go out through SBC2.
3.  
International calls must go out through SBC2 or SBC3.

How should you complete the PowerShell script? To answer, drag the appropriate values to the correct targets. Each value may be used once, more than once, or not at all. You may need to drag the split bar between panes or scroll to view

content.

NOTE: Each correct selection is worth one point.





Select and Place:

```
New-CsTenantNetworkRegion -NetworkRegionID "US"
```

These are the selections for the first missing value.

"10.10.0.0" -MaskBits "22" -NetworkSiteID "OH1"

Correct Answer:

```
New-CsTenantNetworkRegion -NetworkRegionID "US"
```

These are the selections for the first missing value.

"10.10.0.0" -MaskBits "22" -NetworkSiteID "OH1"

Reference: <https://docs.microsoft.com/en-us/powershell/module/skype/new-csonlinevoicercoute?view=skype-ps>

### QUESTION 10

Your company hires a new employee in Lisbon.

You assign a Microsoft 365 E3 license to the employee.

The employee must schedule meetings that will include customers in Lisbon. The customers will dial in to the meetings by using PSTN. You need to ensure that the employee can send meeting invitations that include a dial-in conferencing bridge. The bridge must be set to a local number in Lisbon instead of the company's default dial-in conferencing bridge number.

Which two actions should you perform? Each correct answer presents part of the solution.

NOTE: Each correct selection is worth one point.



- A. From Users in the Microsoft Teams admin center, edit the Audio conferencing settings of the employee.
- B. From the Microsoft Teams admin center, modify the settings of the default conferencing bridge.
- C. From the Microsoft 365 admin center, assign an Auto Conferencing add-on license to the employee.
- D. From the Microsoft 365 admin center, set the usage location of the employee to Portugal.

Correct Answer: BC

Reference: <https://docs.microsoft.com/en-us/microsoftteams/audio-conferencing-in-office-365>  
<https://docs.microsoft.com/en-us/microsoftteams/change-the-phone-numbers-on-your-audio-conferencing-bridge>

---

### QUESTION 11

You have a Microsoft Teams Phone deployment that uses Direct Routing.

You need to implement Local Media Optimization.

In the Microsoft Teams admin center, you configure the external trusted IP addresses and define the network regions, network sites, and network subnets.

What should you do next?

- A. Define a voice route.
- B. Assign Session Border Controllers (SBCs) to sites.
- C. Create a trunk translation rule.
- D. Modify the default emergency calling policy

Correct Answer: B

Reference: <https://docs.microsoft.com/en-us/microsoftteams/direct-routing-media-optimization-configure>

---

### QUESTION 12

In the Microsoft Call Quality Dashboard, you discover an increasing trend of poor-quality calls.

You need to implement a solution to identify problematic sites.

Which two actions should you perform? Each correct answer presents part of the solution.

NOTE: Each correct selection is worth one point.

- A. Run the CQD User Feedback (Rate My Call) Report.
- B. Create a building data file.
- C. Upload a file to the Tenant Data Upload page.
- D. Upload a file to the Reporting Labels page.



- E. Create an endpoint data file.
- F. Install the Power BI connector for Call Quality Dashboard (CQD).

Correct Answer: BC

Reference: <https://docs.microsoft.com/en-us/microsoftteams/cqd-upload-tenant-building-data>

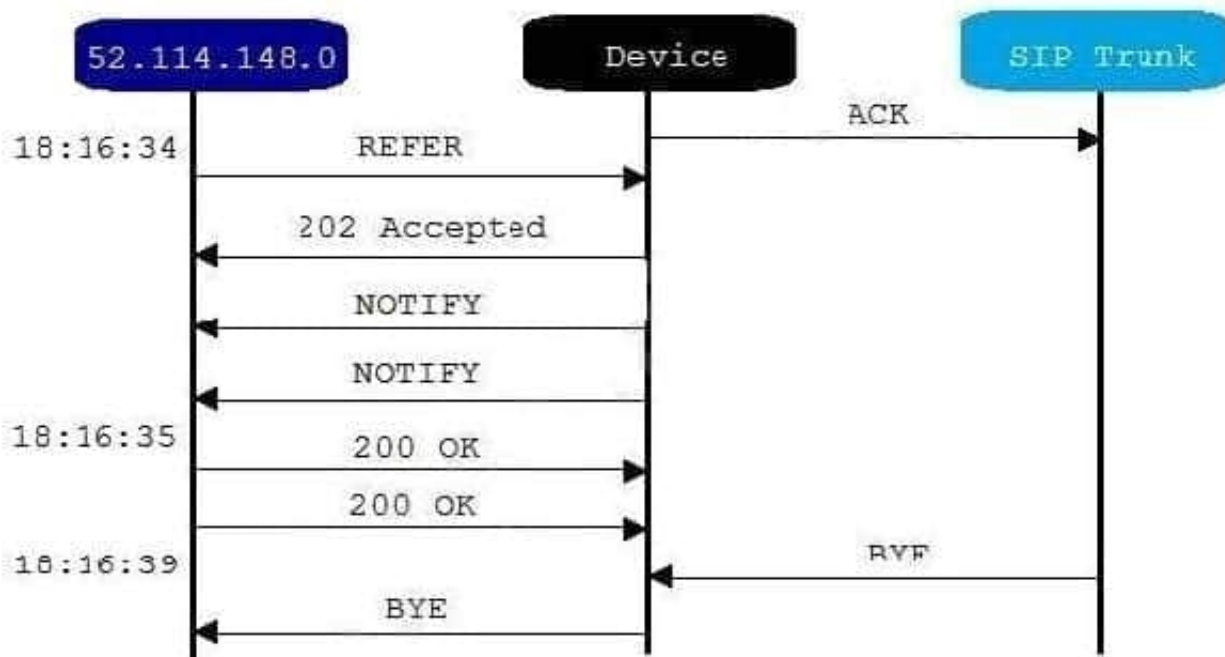
### QUESTION 13

Your company has a Microsoft Teams Phone deployment that uses Direct Routing and a single carrier.

You deploy a new Session Border Controller (SBC) that shows as healthy in the Microsoft Teams admin center.

You place a test call over the new SBC, and the call succeeds.

When you attempt to transfer the call, the transfer fails. A portion of the SIP ladder is shown in the exhibit. (Click the Exhibit tab.)



What is a possible cause of the issue?

- A. The SSL certificate of the SBC is incorrect.
- B. The Refer on the SBC is misconfigured.
- C. notify is enabled in the SIP options of the SBC.
- D. The carrier rejects the format of the forwarded FROM number.

Correct Answer: B



Reference: <https://docs.microsoft.com/en-us/microsoftteams/troubleshoot/phone-system/direct-routing/issues-with-call-transfers>

### QUESTION 14

#### HOTSPOT

You have a Microsoft Teams Phone deployment.

You have a cloud-only user named user1@contoso.com.

You need to enable a Direct Routing phone number for user1@contoso.com.

How should you complete the PowerShell script? To answer, select the appropriate options in the answer area.

NOTE: Each correct selection is worth one point.

Hot Area:

	<code>-Identity user1@contoso.com -EnterpriseVoiceEnabled \$true</code>
<code>Set-CsOnlinePSTNGateway</code>	
<code>Set-CsOnlinePstnUsage</code>	
<code>Set-CsOnlineVoiceUser</code>	
<code>Set-CsUser</code>	

	<code>tel:+14165551111 -HostedVoiceMail \$true</code>
<code>-LineServerURI</code>	
<code>-LineURI</code>	
<code>-OnPremLineURI</code>	
<code>-PrivateLine</code>	

Correct Answer:



	<code>-Identity user1@contoso.com -EnterpriseVoiceEnabled \$true</code>
<code>Set-CsOnlinePSTNGateway</code>	
<code>Set-CsOnlinePstnUsage</code>	
<code>Set-CsOnlineVoiceUser</code>	
<code>Set-CsUser</code>	
	<code>tel:+14165551111 -HostedVoiceMail \$true</code>
<code>-LineServerURI</code>	
<code>-LineURI</code>	
<code>-OnPremLineURI</code>	
<code>-PrivateLine</code>	

#### QUESTION 15

You have a Microsoft Teams Phone deployment. The 613 7010 5XXX phone number range is allocated to the Session Border Controller (SBC). A user named User1 is configured as shown in the following exhibit.

```
PS C:\> get csonlineuser -Identity user1@litwareinc.com

DisplayName           : User One
EnterpriseVoiceEnabled : True
RegistrarPool        : sipoolme1au103.infra.lync.com
OnPremLineURIManuallySet : False
OnPremLineURI         :
LineURI               : +61370105555
OnlineVoiceRoutingPolicy : VIC-All
DialPlan              : AU
TenantDialPlan        : Australia-VIC
MCOValidationError    : {}
VoicePolicy           :
InterpretedUserType   : HybridOnlineTeamsOnlyUser
UserProvisionType     :
TeamsUpgradeEffectiveMode : TeamsOnly
```



User1 reports that when an external caller attempts to call the phone number of User1, the external caller receives an error message.

User 1 can make outbound calls, but no caller ID appears.

Which two commands should you run to resolve the issues? Each correct answer presents part of the solution.

NOTE: Each correct selection is worth one point.

- A. `Set-CsOnlineVoiceUser user1@litwareinc.com -TelephoneNumber "+61370105555"`
- B. `Set-CsOnlineVoiceUser user1@litwareinc.com -TelephoneNumber $null`
- C. `Set-CsOnlineVoiceUser user1@litwareinc.com -OnPremLineURI "tel:+61370105555"`
- D. `Set-CsOnlineVoiceUser user1@litwareinc.com -EnterpriseVoiceEnabled $false`
- E. `Set-CsOnlineVoiceUser user1@litwareinc.com -Identity user1@litwareinc.com -PolicyName $null`

Correct Answer: AD

[Latest MS-720 Dumps](#)

[MS-720 PDF Dumps](#)

[MS-720 Practice Test](#)