



JN0-1302^{Q&As}

Data Center Design Specialist (JNCDS-DC)

Pass Juniper JN0-1302 Exam with 100% Guarantee

Free Download Real Questions & Answers **PDF** and **VCE** file from:

<https://www.passapply.com/jn0-1302.html>

100% Passing Guarantee
100% Money Back Assurance

Following Questions and Answers are all new published by Juniper
Official Exam Center

-  **Instant Download** After Purchase
-  **100% Money Back** Guarantee
-  **365 Days** Free Update
-  **800,000+** Satisfied Customers





QUESTION 1

Your company is deploying a private cloud based on OpenStack and has selected Contrail Networking as their SDN controller. The data center supporting this private cloud will use an IP fabric architecture consisting of QFX Series switches and MX Series routers.

Which two statements are true in this scenario? (Choose two.)

- A. All vRouters maintain identical forwarding tables for all virtual networks.
- B. SDN Gateway devices may contain per-tenant MAC and IP addresses.
- C. Each vRouter maintains separate forwarding tables for various virtual networks.
- D. Spine and leaf devices may contain per-tenant MAC and IP addresses.

Correct Answer: BC

QUESTION 2

A customer has concerns about various groups having the ability to easily access their corporate network infrastructure. They want to implement tighter controls for network infrastructure system access.

Which three actions will accomplish this task? (Choose three.)

- A. Open console port access.
- B. Disable root access.
- C. Use a secure access VPN.
- D. Provide local passwords.
- E. Use RADIUS accounting.

Correct Answer: BCE

QUESTION 3

What are two considerations when designing an IP fabric? (Choose two.)

- A. Every leaf node should have an uplink to every spine node.
- B. Leaf nodes and spine nodes should be the same type of device.
- C. Uplinks from servers to the leaf nodes should be 40GbE links.
- D. All spine nodes should be the same type of device.

Correct Answer: AC



QUESTION 4

Which protocol is used to exchange control information between the participating multichassis LAG (MCLAG) peers?

- A. BGP
- B. OSPF
- C. ICCP
- D. VCCP

Correct Answer: C

QUESTION 5

You are implementing a new data center and need to plan to connect it to your existing data center. You have the requirement for active/active forwarding to enable load balancing and reduce failure times.

Which two technologies should be evaluated for this design? (Choose two.)

- A. point-to-point links
- B. Layer 2 VPN
- C. VPLS
- D. EVPN

Correct Answer: CD

QUESTION 6

You are designing an IP fabric ASN scheme using EBGP.

What are two acceptable ranges in this scenario? (Choose two.)

- A. 0 – 512
- B. 100001 – 199999
- C. 64512 – 65535
- D. 4200000000 – 4294967294

Correct Answer: CD

QUESTION 7



Your company wants to expand operations and build small data centers in locations where it is difficult to maintain physical routing equipment. You must recommend a Juniper product that minimizes this issue.

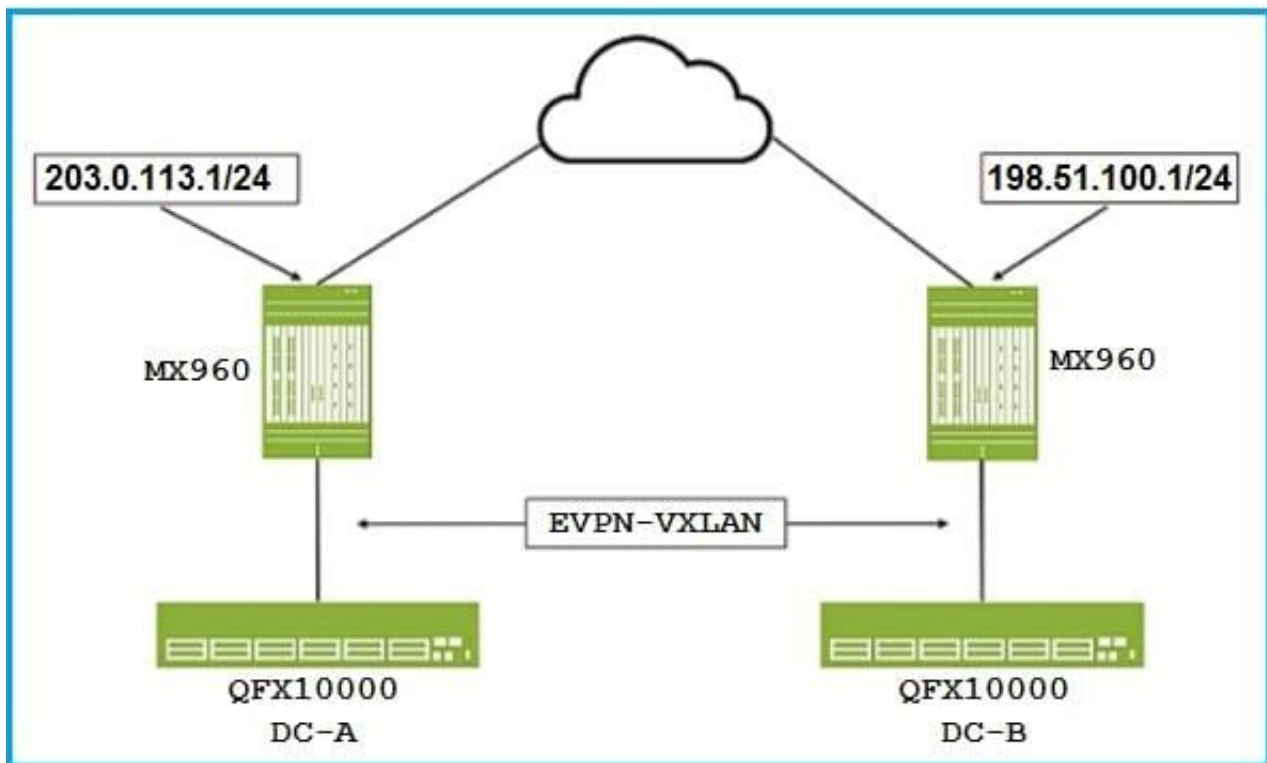
Which product would you recommend in this situation?

- A. MX104
- B. vMX
- C. vRR
- D. Virtual Chassis

Correct Answer: B

QUESTION 8

Click the Exhibit button.



You are designing a Data Center Interconnect to transport VXLAN traffic between DC-A and DC-B.

Which two technologies will allow the MX Series routers to transport the VXLAN packets over the WAN, as shown in the exhibit? (Choose two.)

- A. Layer 2 VPN
- B. Layer 3 VPN
- C. VPLS



D. IP routing

Correct Answer: BC

QUESTION 9

You want to encapsulate Layer 2 frames for transport across a Layer 3 network.

Which three methods are supported by Juniper Networks to accomplish this task? (Choose three.)

- A. EVPN
- B. VXLAN
- C. MPLS over GRE
- D. Layer 3 VPN
- E. MPLS over UDP

Correct Answer: ABC

QUESTION 10

Two data centers must be able to operate with a stretched Layer 2 network. You are concerned about unnecessary traffic on the Data Center Interconnect (DCI). You do not want packets to trombone over the DCI, have excessive unknown unicast packet flooding over the DCI, or have excessive ARP flooding over the DCI.

Which technology satisfies the requirements in this scenario?

- A. EVPN
- B. IPsec
- C. VPLS
- D. GRE over IP

Correct Answer: A

QUESTION 11

Which two elements are available to implement security within a vRouter managed by Contrail? (Choose two.)

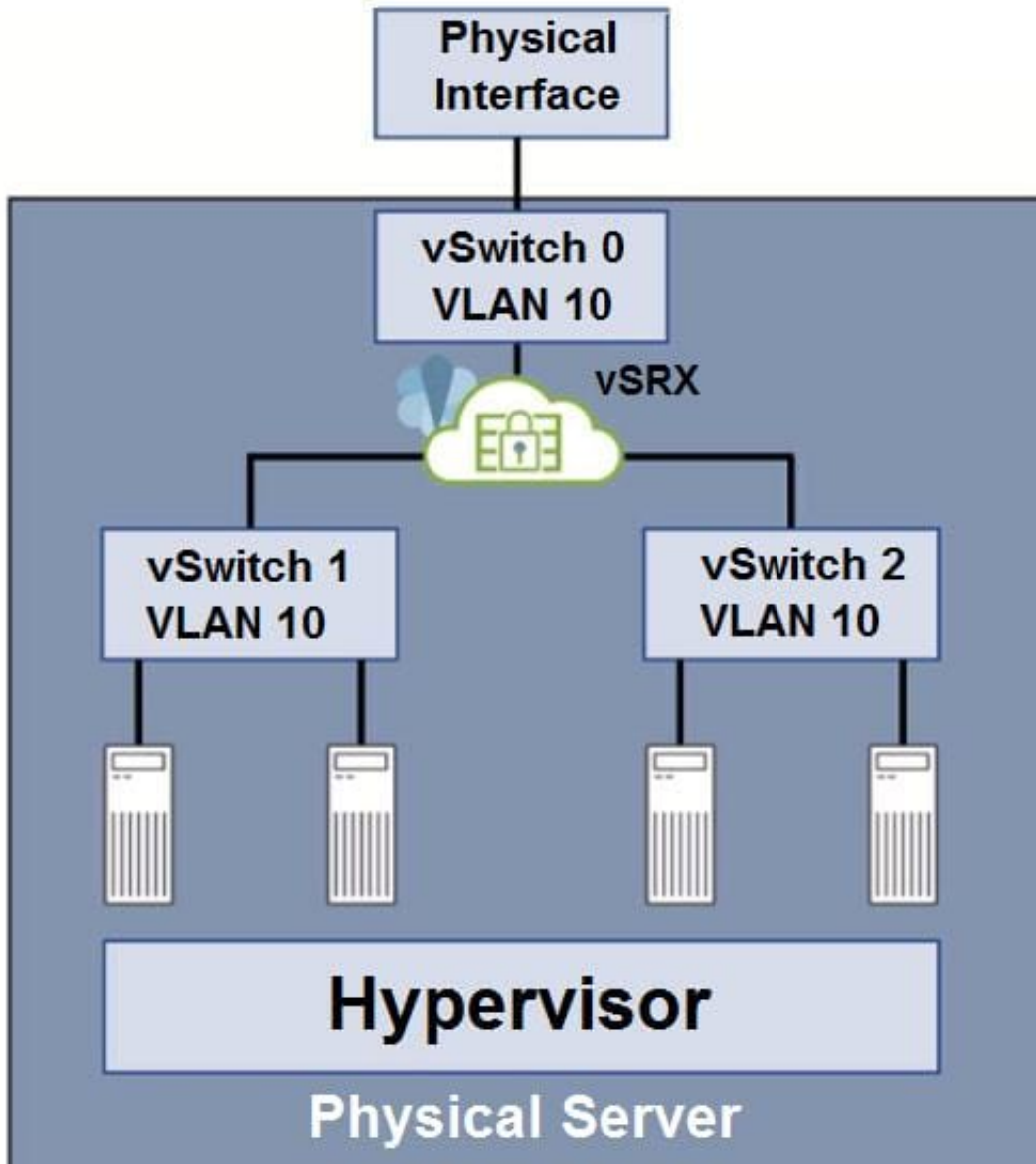
- A. Security Policy
- B. Security Group
- C. IPsec VPN
- D. Network Policy



Correct Answer: BD

QUESTION 12

Click the Exhibit button.



Referring to the exhibit, which two statements are true? (Choose two.)

- A. The vSRX is performing microsegmentation.
- B. The vSRX is working in routed mode.
- C. The vSRX is not performing microsegmentation.
- D. The vSRX is working in transparent mode.



Correct Answer: AD

QUESTION 13

You want to protect a hypervisor in your data center with a security solution that is installed on the hypervisor and provides firewall protection to applications. Traffic to one of the virtual servers must be subject to a NAT policy before communicating with the virtual server.

Which two solutions would you use to satisfy this requirement? (Choose two.)

- A. vSRX
- B. vQFX
- C. ATP Cloud
- D. cSRX

Correct Answer: AD

QUESTION 14

You are designing an EVPN/VXLAN network and want to ensure that latency between VMs on the same host is as low as possible for both Layer2 and Layer3 traffic.

Which two design choices will accomplish this task? (Choose two.)

- A. Configure spine nodes as VXLAN Layer 3 gateways.
- B. Configure leaf nodes as VXLAN Layer 2 gateways.
- C. Configure leaf nodes as VXLAN Layer 3 gateways.
- D. Configure spine nodes as VXLAN Layer 2 gateways.

Correct Answer: AB

QUESTION 15

Which two statements describe SDN? (Choose two.)

- A. SDN can alleviate the need for manually configuring each network device.
- B. SDN moves forwarding functions to a centralized management platform.
- C. SDN combines the control plane and the forwarding plane into a single fabric.
- D. SDN moves compute intensive functions to a centralized controller.

Correct Answer: AD



VCE & PDF

PassApply.com

<https://www.passapply.com/jn0-1302.html>

2024 Latest passapply JN0-1302 PDF and VCE dumps Download

[JN0-1302 Practice Test](#)

[JN0-1302 Study Guide](#)

[JN0-1302 Exam Questions](#)