



JN0-1101^{Q&As}

Juniper Networks Certified Design Associate

Pass Juniper JN0-1101 Exam with 100% Guarantee

Free Download Real Questions & Answers **PDF** and **VCE** file from:

<https://www.passapply.com/jn0-1101.html>

100% Passing Guarantee
100% Money Back Assurance

Following Questions and Answers are all new published by Juniper
Official Exam Center

-  **Instant Download** After Purchase
-  **100% Money Back** Guarantee
-  **365 Days** Free Update
-  **800,000+** Satisfied Customers





QUESTION 1

What are three types of automation scripts used on a Junos device? (Choose three.)

- A. op scripts
- B. commit scripts
- C. boot scripts
- D. event scripts
- E. control scripts

Correct Answer: ABD

QUESTION 2

You are evaluating an existing network to determine requirements for a network upgrade. In this scenario, which statement is true?

- A. A network baseline identifies devices that do not have redundant components.
- B. A network baseline identifies traffic growth patterns across network devices.
- C. A network baseline identifies how many users are connected to the network.
- D. A network baseline identifies the type and level of traffic load on the network.

Correct Answer: D

QUESTION 3

What are two tiers used in a traditional data center design? (Choose two.)

- A. core
- B. aggregation
- C. compute
- D. user

Correct Answer: AB

QUESTION 4

What does the network MTTR measure?



- A. the length of time it takes to design the network
- B. the length of time to build the network
- C. the length of time to repair the network
- D. the length of time it takes to reboot the network devices

Correct Answer: C

QUESTION 5

What information is included in an RFP issuance?

- A. design requirements
- B. product features
- C. product positioning
- D. COGS pricing

Correct Answer: A

QUESTION 6

Which two pieces of information should be included in an RFP response? (Choose two.)

- A. a list of contributing material including technical publications, training guides, and courseware used to build the proposed design
- B. design details including information about the devices, protocols, and technologies included in the proposed design
- C. configuration details including proposed devices, protocols, and technologies included in the proposed design
- D. a network topology including a high-level logical design as well as low-level physical design of the proposed network

Correct Answer: BD

QUESTION 7

What are two features used to enable high availability? (Choose two.)

- A. VRRP
- B. chassis clustering
- C. full-duplex mode
- D. SNMP



Correct Answer: AB

QUESTION 8

Your campus network is rolling out a BYOD policy. Your design must ensure that guest users are restricted from accessing internal network resources.

Which two actions would solve this problem? (Choose two.)

- A. Guest users should be placed in an isolated guest routing instance.
- B. Guest users should be placed in an isolated guest VLAN.
- C. Guest users should be placed in a non-isolated guest routing instance.
- D. Guest users should be placed in a non-isolated guest VLAN.

Correct Answer: AB

QUESTION 9

You are designing a data center network that will require the rapid deployment and removal of security features between virtual machines based on triggered traffic flows. The data center will require the ability to scale up and down rapidly according to traffic load, and then release resources when security services are not needed. In this scenario, which type of security design would fulfill this requirement?

- A. a centralized security appliance
- B. a container-based security deployment
- C. a physical security device connected to each host
- D. an all-in-one virtual security device in each host

Correct Answer: B

QUESTION 10

You are asked to provide a design proposal for a data center environment. As part of your solution, you are asked to simplify the management of the ToR EX Series switches.

In this scenario, which solution will accomplish this requirement?

- A. Clos fabric
- B. MC-LAG
- C. Virtual Chassis



D. VRRP

Correct Answer: C

QUESTION 11

What are three examples of physical security? (Choose three.)

- A. security cameras
- B. access door keypads
- C. a mantrap
- D. man in the middle
- E. intrusion detection and prevention

Correct Answer: ABC

QUESTION 12

In a network design using the traditional tiered structure, which two tiers connect to untrusted domains? (Choose two.)

- A. access
- B. WAN edge
- C. core
- D. aggregation

Correct Answer: BD

QUESTION 13

Which two elements of customer data would you use to determine the applications that your customer uses most often? (Choose two.)

- A. business goals
- B. questionnaires
- C. corporate policies
- D. interviews

Correct Answer: BD



QUESTION 14

You are asked to evaluate a WAN design for a corporation with a focus on cost, security, and the ability to have direct adjacencies between your remote sites.

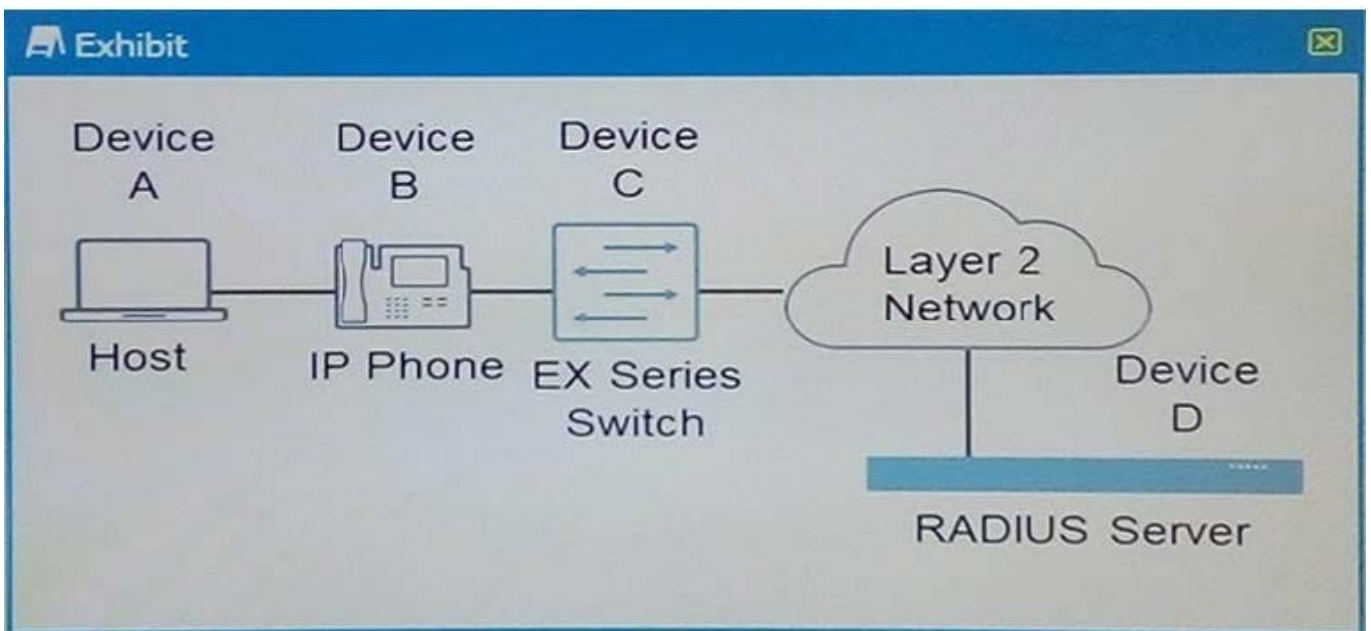
Which two solutions would meet the requirements? (Choose two.)

- A. MPLS Layer 3 VPN
- B. GRE tunnels over the Internet
- C. VPLS Layer 2 VPN
- D. IPsec tunnels over the Internet

Correct Answer: CD

QUESTION 15

Click the Exhibit button.



Which device plays the role of authenticator in an 802.1X design as shown in the exhibit?

- A. Device A
- B. Device B
- C. Device C
- D. Device D

Correct Answer: C



VCE & PDF

PassApply.com

<https://www.passapply.com/jn0-1101.html>

2024 Latest passapply JN0-1101 PDF and VCE dumps Download

[JN0-1101 VCE Dumps](#)

[JN0-1101 Study Guide](#)

[JN0-1101 Braindumps](#)