



# HPE6-A80<sup>Q&As</sup>

Aruba Certified Design Expert Written

**Pass HP HPE6-A80 Exam with 100% Guarantee**

Free Download Real Questions & Answers **PDF** and **VCE** file from:

<https://www.passapply.com/hpe6-a80.html>

100% Passing Guarantee  
100% Money Back Assurance

Following Questions and Answers are all new published by HP Official Exam Center

-  **Instant Download** After Purchase
-  **100% Money Back** Guarantee
-  **365 Days** Free Update
-  **800,000+** Satisfied Customers





### QUESTION 1

For which scenario do Aruba CX 6300M Series switches meet the needs for an upgrade of the wired access layer while the Aruba CX 630QF Series switches do not?

- A. The customer wants to utilize the Aruba AP-515 support for 002 3bz connectivity.
- B. The customer wants to utilize LACP on AP515 in VSF switch configuration.
- C. The Aruba CX6300M supports 10GBase-T connectivity with AP-515.
- D. The Aruba CX 630DM support up to 75W PoE+ per port

Correct Answer: D

---

### QUESTION 2

What is one benefit that Airwave provides to customers in the 8.x OS network?

- A. profiling of wired and wireless client behavior and detection when the behavior varies from the baseline
- B. in-depth analytics oT mobile device presence and APIs to make this data available to other applications
- C. a central UI from which to manage all of the Mobility Controllers (MCs)
- D. ability to monitor the status and operation of the complete network over time

Correct Answer: A

---

### QUESTION 3

Refer to the exhibit.

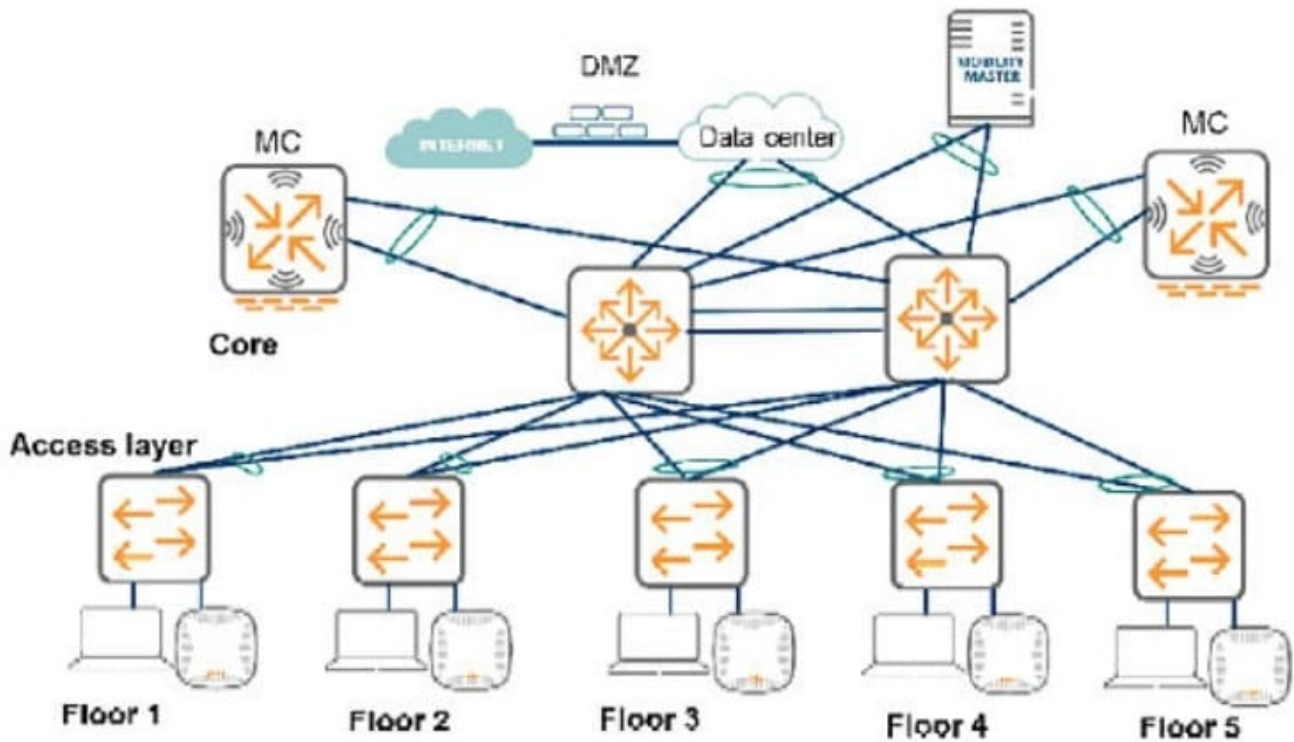


Exhibit: A49.01114316-134

The exhibit shows the topology for a new Aruba solution. The MCs are in a cluster and support all of the wireless traffic in

the network. The core switches route all traffic and support all VLANs. The access layer switches do NOT use tunneled node or dynamic segmentation.

The customer has indicated that it has these VLANs for user devices.

\*

VLAN 11 for Floor 1 employee wired devices

\*

VLAN 12 for Floor 2 employee wired devices

\*

VLAN 13 for Floor 3 employee wired devices

\*

VLAN 14 for Floor 4 employee wired devices

\*

VLAN 15 for Floor 5 employee wired devices

\*



VLAN 101 for all employee wireless devices

\*

VLAN 102 for all guest wireless devices

In which locations should the architect plan the VLANs?

A.

VLANs 11-15 on one MC. VLANs 101 and 102 on the other MC. (Other VLANs will be used on the access layer switches.)

B.

VLANs 11-15, 101, and 102 on both MCs. (Other VLANs will be used on the access layer switches.)

C.

VLANs 11-15 on the access layer switches on the corresponding floor; VLAN 101 on one MC and VLAN 102 on the other MC

D.

VLANs 11-15 on the access layer switches on the corresponding floor; VLANs 101 and 102 on both MCs.

Correct Answer: C

---

#### QUESTION 4

A retailer wants to add a wireless network to its stores to provide guest access. The store has wired POS systems which the customer will now replace with wireless systems.

The APs will be installed on the ceilings, which are about 8 feet (2.4 m) high.

What is one feature on the APs that can help the customer comply with PCI DSS?

A. Anomaly-based threat detection

B. Smart Rate ports

C. Physical security with Kensington Security Slots

D. User and Entity Behavior Analytics (UEBA)

Correct Answer: B

---

#### QUESTION 5

Compare the scenarios below. For which scenario do AP-575S meet the needs?

A. The customer needs APs for an indoor high density environment in which the customer prefers dual 5GHz operation.

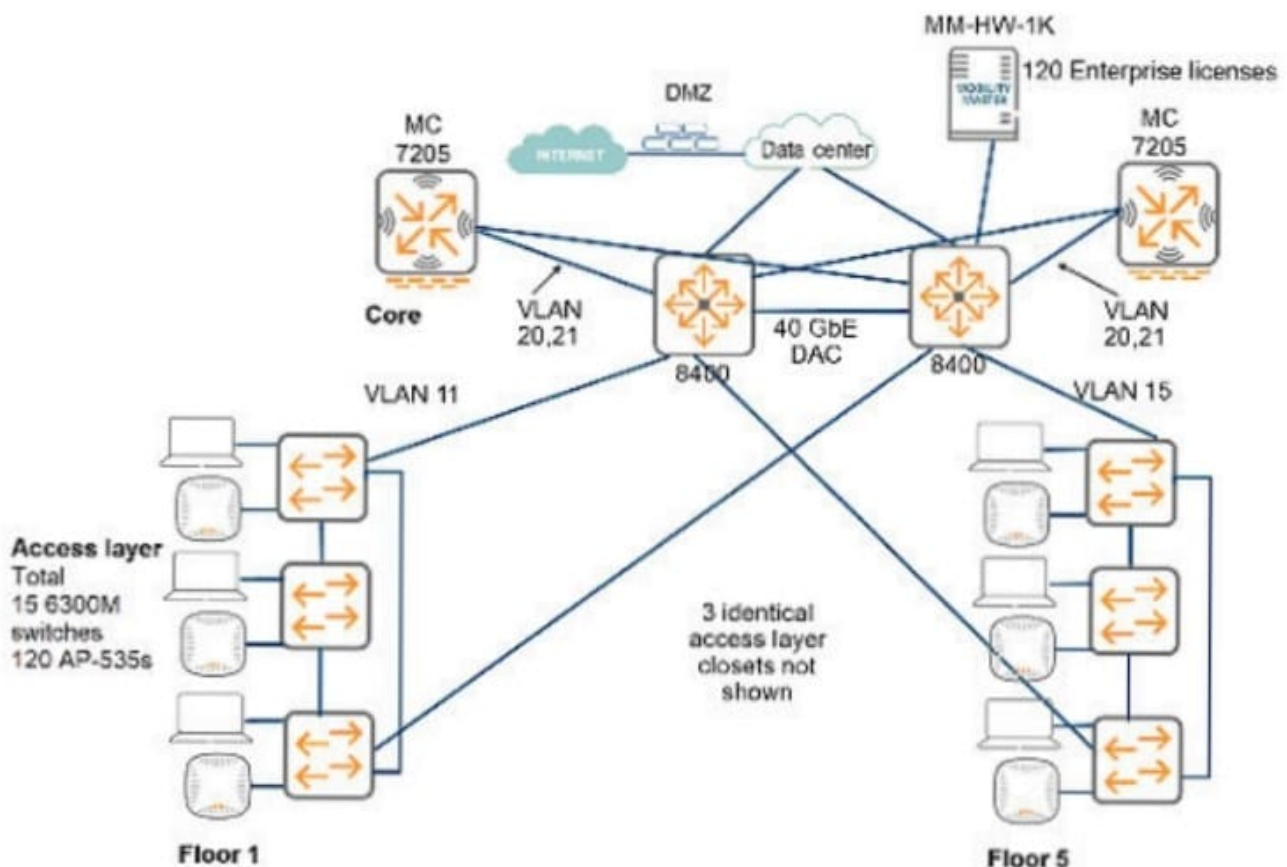


- B. The customer needs APs for an indoor stadium that requires overhead coverage and directional antennas.
- C. The customer needs to mount APs in an outdoor area, but that area only has fiber cable available,
- D. The customer needs APS mounted to a concrete building exterior to provide coverage in a 90 foot (27m) radius from the building.

Correct Answer: C

### QUESTION 6

Refer to the exhibit.



A customer has these availability requirements;

- loss of one controller with stateful failover and without impact on wireless client connectivity
- loss of one core switch without loss of connectivity for any endpoints or APs in the building
- loss of any one switch-to-switch or MC-to-switch link without loss of connectivity for any endpoints or APs in the building and with minimal impact on infrastructure functionality
- loss of any one access switch with minimal impact to wireless client connectivity

The exhibit shows the current plan for the topology.

Which change should the architect make to the plan to provide better support for the customers availability requirements?

- A. Add VLANs 11 and 15 to the MC connections to ensure both MCS can manage any of the APs.



- B. Add 120 additional AP licenses, so that each MC can support all the APs, even if the other MC fails.
- C. Use two 40GBE DACs between the core V3X switches for their switch links.
- D. Change the 40GbE DAC on the 8400 switch to a stacking cable with stacking module.

Correct Answer: B

---

### QUESTION 7

A customer has a large network, which includes a main site and many branch sites. The network has a total of about 10,000 wireless devices at the main site and 15,000 wireless devices total at branches. To fulfill the requirements for a wireless network upgrade, the architect plans to propose;

\*

2 7205 MCs at the main site

\*

2 7210 MCs at the main site

\*

10 7030 MCs at branch sites

\*

200 RAPs at branch sites

\*

500 CAPS at the main site

\*

300 CAPS at branch sites

What is the most cost-effective Mobility Master solution that meets the requirements\?

A.

MM-HW-5K appliance

B.

MM-HW-5K appliance + MM-HW-5k appliance

C.

MM-HW-1K appliance

D.



MM-HW-1OK appliance

Correct Answer: B

---

### QUESTION 8

A company has several remote sites that operate more or less autonomously. Each site has its own local services and Internet connection. However, the company does have a main office with a few centralized resources that the company would like to make available to remote office employees over the Internet connection. Sites range in size and require between 10 and 20 APs.

The customer requires the most cost-effective solution that meets the requirements.

Which solution should the architect recommend for each remote site?

- A. Campus APs (CAPs) with a local MC that has an SD-WAN license
- B. Remote APs (RAPs) with IPsec tunnels to a main office MC
- C. an IAP cluster with an IPsec tunnel to a main office MC
- D. Campus APs (CAPs) with CPsec control channels to a main office MC

Correct Answer: A

---

### QUESTION 9

What is one customer requirement that can drive the need for a relatively dense AP deployment. In which coverage areas of at least three AP radios overlap?

- A. AP operation as hybrid AMs for IDS/WIPS
- B. the deployment of dual 5GHz radio APs
- C. support for beacon management
- D. location tracking of wireless IoT devices

Correct Answer: C

---

### QUESTION 10

A customer has an Aruba wireless network, which includes two MC 7205s and an MM at the network core. The company now wants to accommodate 50 mobile trainers. These trainers travel around the world and run training events. The

trainers often need to access materials in the company data center, but cannot reach materials when they are on the road.

The company wants to give the mobile workforce a secure way to reach the materials they need no matter where they are.



Including in public spaces like the hotels where they often leach. The customer also requires that the solution be as cost effective as possible while meeting the requirements.

Which plan meets the needs of the mobile Trainers?

- A. Add 50 RAPs: add 50 Enterprise licenses to the MM, and add two 7005 MCs in the DMZ.
- B. Add 50 RAPs; add 50 Enterprise licenses and 50 VIA licenses to the MM
- C. Add so PEFV licenses to the MM. and add an additional 7205 MC to the core.
- D. Add 50 VIA licenses to the MM, and deploy two 7005 MCs in the DMZ.

Correct Answer: B

[HPE6-A80 PDF Dumps](#)

[HPE6-A80 Study Guide](#)

[HPE6-A80 Braindumps](#)