



HPE6-A47^{Q&As}

Designing Aruba Solutions

Pass HP HPE6-A47 Exam with 100% Guarantee

Free Download Real Questions & Answers **PDF** and **VCE** file from:

<https://www.passapply.com/hpe6-a47.html>

100% Passing Guarantee
100% Money Back Assurance

Following Questions and Answers are all new published by HP Official Exam Center

-  **Instant Download** After Purchase
-  **100% Money Back** Guarantee
-  **365 Days** Free Update
-  **800,000+** Satisfied Customers





QUESTION 1

An Aruba wireless solution for a very high density (VHD) wireless solution consists of a Mobility Master (MM) and two Mobility Controllers (MCs).

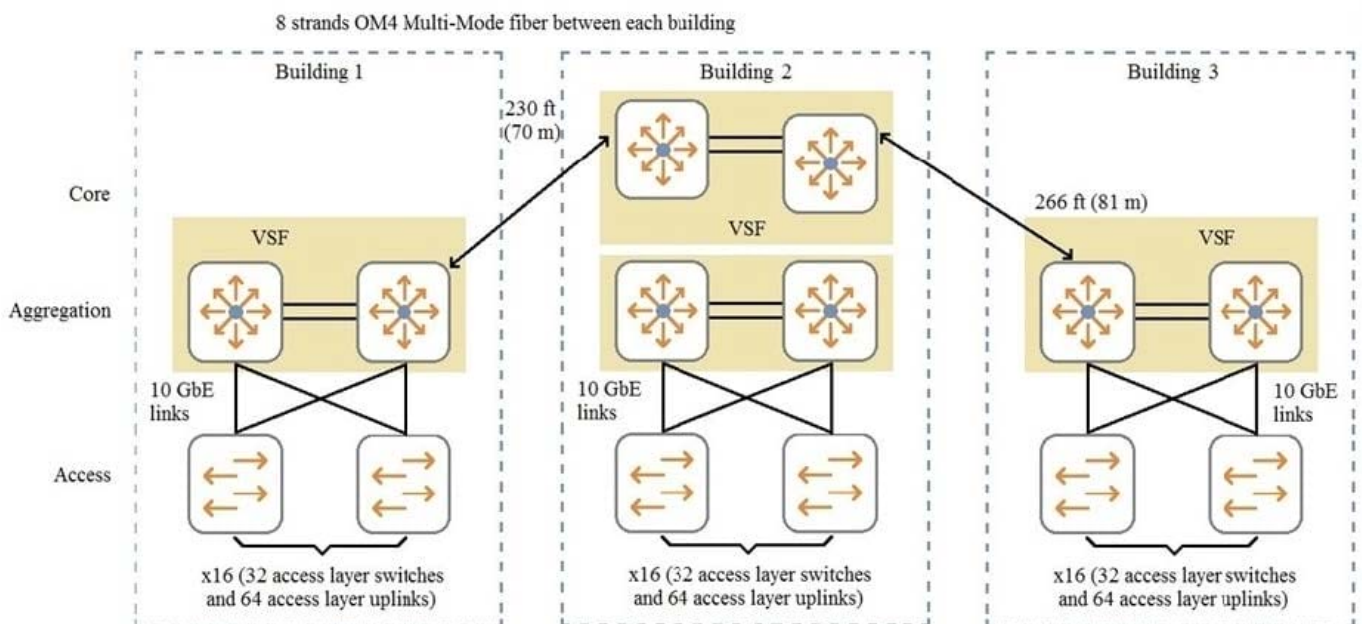
What is the best practice design for routing the wireless traffic?

- A. The MCs provide the default gateway services for wireless devices and use static routers.
- B. The MCs act at Layer2, and the MM acts as the default gateway.
- C. The MCs act at Layer2, and core routing switches act as the default gateway.
- D. The MCs provide the default gateway services for wireless devices and use OSPF.

Correct Answer: B

QUESTION 2

Refer to the exhibit.



An architect selects 5406R switches for the aggregation layer.

What is the maximum bandwidth possible between the aggregation and core layers using 8 strands of OM4 MM fiber at the distances indicated in the diagram?

- A. 60 Gbps
- B. 160 Gbps
- C. 200 Gbps



D. 320 Gbps

Correct Answer: D

QUESTION 3

What should an architect use as a guideline to determine when to minimize VLANs in a wireless design?

- A. the WLAN or SSID, with a different VLAN for each SSID
- B. the coverage area, with a different VLAN for every 4000 square feet (372 square meters)
- C. the number of devices, with a different VLAN for each 250 devices
- D. the employee roles, with a different VLAN for each role or department

Correct Answer: D

QUESTION 4

A customer currently has an Instant AP deployment.

Which customer requirement would indicate that the customer needs to add a controller to the deployment?

- A. the requirement to apply role-based firewall policies
- B. the requirement for a captive portal for guests
- C. the requirement to provide client-to-site VPN access for remote users
- D. the requirement for a cloud-based management solution

Correct Answer: D

QUESTION 5

Read this scenario thoroughly, and then answer each question that displays on the right side of the screen. An architect proposes these products for a customer who wants a wireless and wired upgrade:

1.

Aruba 2930M switches at the access layer

2.

Aruba 5406R switches at the core

3.

Aruba AP-325s



4.

Aruba 7205 Mobility Controllers (MCs), deployed in a cluster

5.

Aruba Mobility Master (MM)

6.

Aruba ClearPass Cx000V

7.

Aruba AirWare

The architect also needs to propose a security plan for the solution. The customer has 900 employees and up to 30 guests a day. The customer wants to protect the internal perimeter of the network with authentication and simple access controls. The customer is most concerned about wireless security, but also wants to ensure that only trusted users connect on the wire. However, the customer also wants all wired traffic to be forwarded locally on access layer switches. The customer already has a third-party firewall that protects the data center.

The customer wants to use certificates to authenticate user devices, but is concerned about the complexity of deploying the solution. The architect should recommend a way to simplify. For the most part users connect company-issued laptops to the network. However, users can bring their own devices and connect them to the network. The customer does not know how many devices each user will connect, but expects about two or three per-user. DHCP logs indicate that the network supports a maximum of 2800 devices.

Refer to the provided scenario. Which ClearPass licenses should the architect include in the proposal?

- A. 1,000 Access licenses and 1000 Onboard licenses
- B. 1,000 Access licenses and 3,000 (3x1000) Onboard licenses
- C. 3,000 Access licenses (3x1000) and 1000 Onboard licenses
- D. 3,000 Access licenses and 3,000 (3x1000) Onboard licenses

Correct Answer: B

QUESTION 6

A financial institution has an Aruba wireless system. Each floor is 19 meters by 23 meters (200 feet by 250 feet) and has 20 APs. The organization now requires dedicated Air Monitors (AMs).

About how many AMs should the architect recommend per floor?

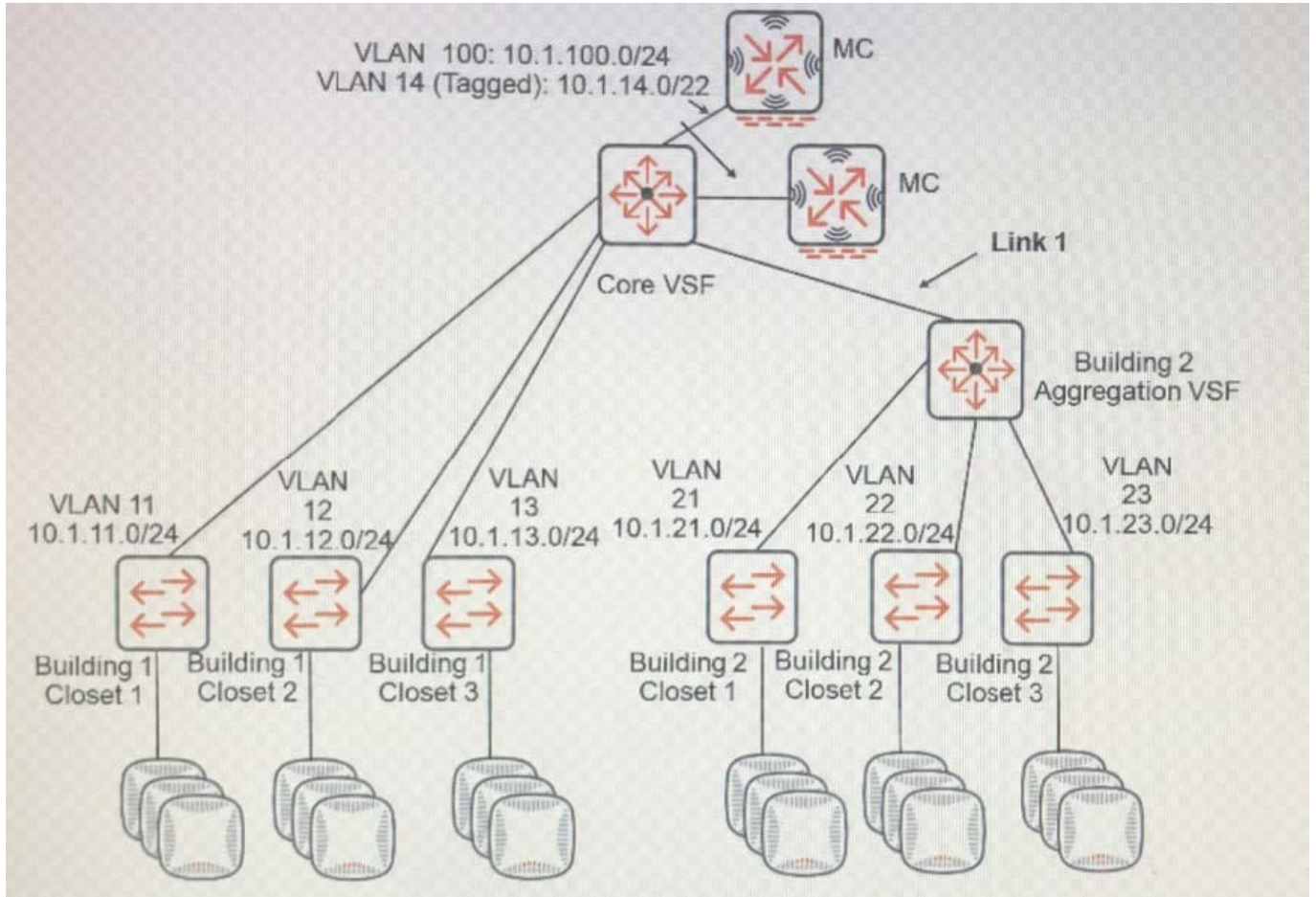
- A. about 1 or 2 per floor
- B. about 3 to 5 per floor
- C. about 10 to 12 per floor
- D. about 16 to 20 per floor



Correct Answer: A

QUESTION 7

Refer to the exhibit.



The customer needs to expand its wired and wireless network to a new building, Building 2, which is near the existing building, Building 1. The exhibit shows the logical plan that the architect has created so far. The aggregation layer switches in the new building should provide the default gateway services for the VLANs in the new building and route traffic to the core. The existing Aruba Mobility Controllers (MCs) will control the new APs.

What should be the VLAN assignment for Link 1, indicated in the exhibit?

- A. an unused VLAN such as 200
- B. VLANs 21, 22, and 23 only
- C. VLANs 11, 12, 13, 21, 22, and 23
- D. the default VLAN and VLAN 14

Correct Answer: C



QUESTION 8

An architect needs to choose between an Aruba Mobility Controller (MC) 7010 or 7024.

Which customer need indicates that the 7024 is a better choice than the 7010?

- A. the need to support 2000 users or devices
- B. the need to support PoE+
- C. the need to manage 20 APs
- D. the need to connect 20 APs directly to the MC

Correct Answer: A

QUESTION 9

A customer needs a solution to terminate VPN tunnels for Aruba RAPS. The customer has a single site and a single public IP address for this purpose. Network address translation (NAT) will forward the IPsec traffic to the correct device to terminate the VPN tunnel. The customer also requires N+1 redundancy for the solution.

Which solution meets the customer requirements?

- A. two Aruba MCs on the same subnet that use VRRP without clustering
- B. two Aruba MCs deployed as a Layer 3 cluster
- C. two Aruba MCs on different subnets that use VRRP without clustering
- D. two Aruba MCs deployed as a Layer 2 cluster

Correct Answer: B

QUESTION 10

An architect learns that a customer site is 14,307 square meters (154,000 square feet) and supports 900 employees using WiFi 5 Ghz radio. What additional information should the architect collect to create the RF plan?

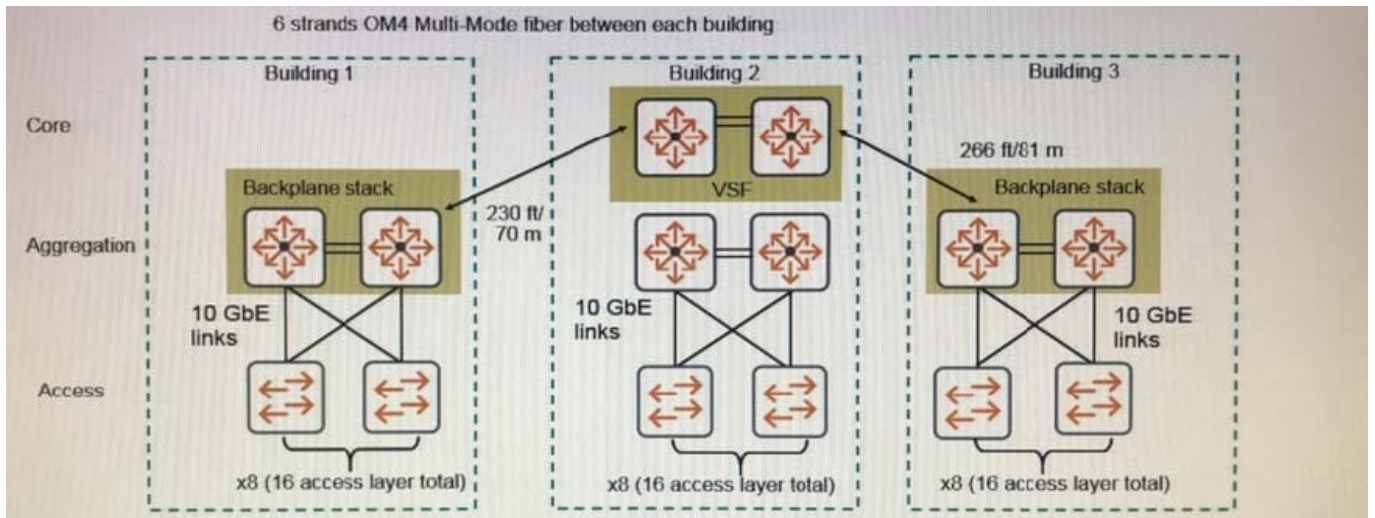
- A. number of devices used by each user
- B. the OS used on wireless devices
- C. whether BLE wayfinding is required
- D. software version on Mobility Controllers (MCs)

Correct Answer: A

QUESTION 11



Refer to the exhibit.



An architect determines that 80 Gbps bandwidth is required for the link aggregation between the Building 1 aggregation layer and Building 2.

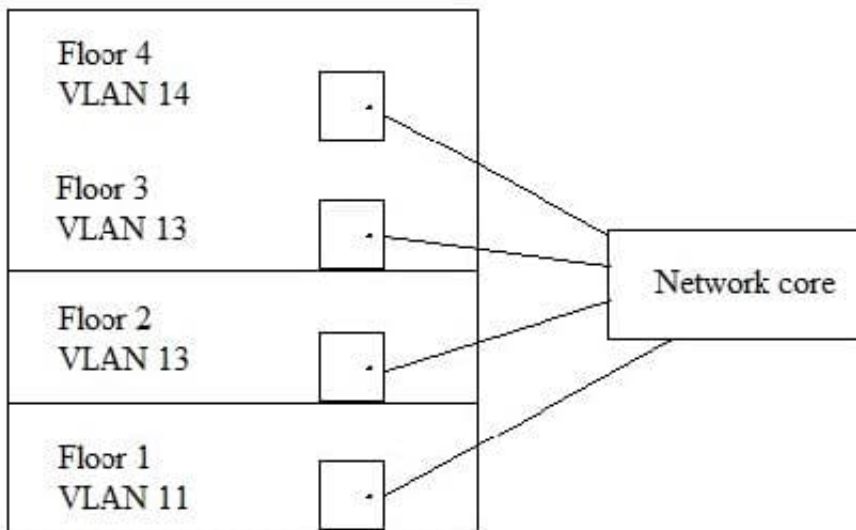
Which transceivers should the architect recommend for each pair of switches?

- A. two QSFP+ BiDi
- B. two QSFP+ MPO
- C. eight SFP+ LR
- D. eight SFP+ SR

Correct Answer: B

QUESTION 12

Refer to the exhibit.



A customer needs to upgrade the wireless network at their campus, which has a single large building. Employees use the wireless network to access the Internet and centralized services. The building has four floors. These are the requirements: 30 APs on each floor A Mobility Master (MM)-based architecture Deployment of one Aruba 7030 Mobility Controller (MC) on each floor, with the MCs combined in a cluster for seamless client failover and roaming

What should the architect explain to the customer about the proposed solution?

- A. MCs should be deployed centrally on the same VLAN to better meet these goals
- B. MCs in a cluster must have additional AP licenses to support APs of a failed controller
- C. The MC 7030 does not support enough APs for the requirements
- D. The MC 7030 only supports clusters with up to three members

Correct Answer: A

QUESTION 13

An architect proposes three 7205 Mobility Controllers (MCs), which will together support about 400 APs. The customer environment will have a maximum of about 5,000 wireless clients. The customer wants a hardware Mobility Master (MM) architecture.

Which solution should the architect recommend?

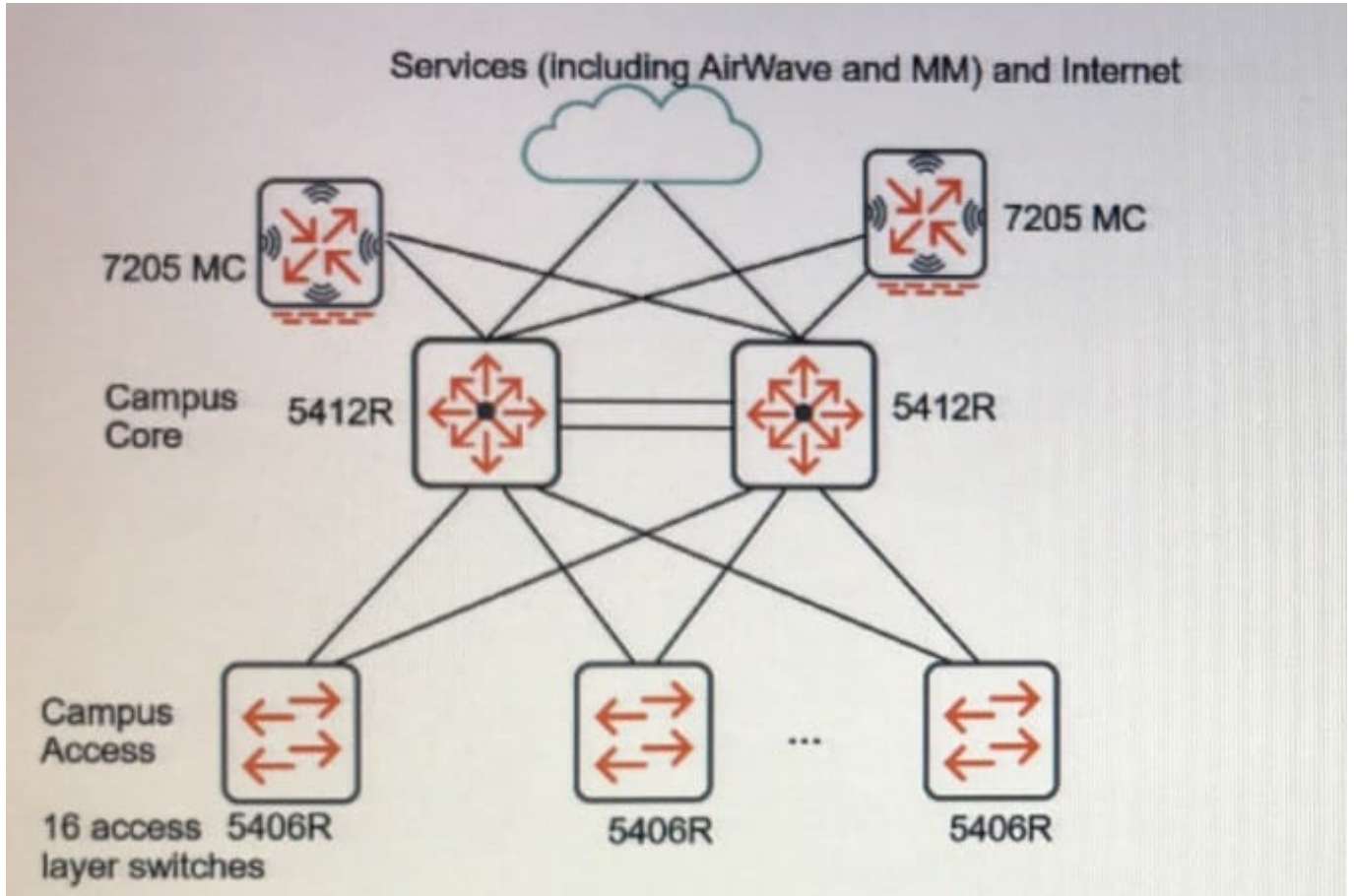
- A. MM-HW-1K appliances
- B. MM-HW-10 appliances
- C. MM-HW-5K appliances
- D. MM-HW-10K appliances

Correct Answer: C



QUESTION 14

Refer to the exhibit.



What is one reason for an architect to recommend the use of Virtual Switching Framework (VSF) in this network?

- A. VSF enables software-defined network monitoring in conjunction with AirWare.
- B. VSF transforms switches into virtual extensions of the MCs to simplify MST management.
- C. VSF enables administrators to manage all 18 switches as a single switch.
- D. VSF simplifies the topology and eliminates the need for spanning tree.

Correct Answer: D

QUESTION 15

For which scenario does the Aruba backplane stacking technology meet the needs?

- A. The customer needs to deploy a pair of aggregation switches in the same closet, and wants to simplify the architecture and redundancy design.



- B. The customer needs to simplify the deployment of core switches which are located in different closets for redundancy purposes.
- C. The customer needs to expand the network and make it possible for the current core switches to support more MAC forwarding and ARP entries.
- D. The customer needs to deploy a switch at a branch office and have the switch automatically discover and join the network stack at the main office.

Correct Answer: B

[HPE6-A47 Practice Test](#)

[HPE6-A47 Exam Questions](#)

[HPE6-A47 Braindumps](#)