



HP2-Z34^{Q&As}

Building HP FlexFabric Data Centers

Pass HP HP2-Z34 Exam with 100% Guarantee

Free Download Real Questions & Answers **PDF** and **VCE** file from:

<https://www.passapply.com/hp2-z34.html>

100% Passing Guarantee
100% Money Back Assurance

Following Questions and Answers are all new published by HP Official Exam Center

-  **Instant Download** After Purchase
-  **100% Money Back** Guarantee
-  **365 Days** Free Update
-  **800,000+** Satisfied Customers





QUESTION 1

Which statement is correct about a Fibre Channel (FC) World Wide Name (WWN)?

- A. It is a hardware specific address for a LUN on a storage disk and can be used to direct FC frames to targets.
- B. It is a hardware specific address for an FC device and can be used to place the device in zones.
- C. It is assigned to an FC device based on its location and can be used to deliver FC frames
- D. It is assigned to an FC N-port as its switch joins the fabric and can be used to route FC frames

Correct Answer: B

QUESTION 2

Refer to the exhibit An HP Comware switch is configured to support FCoE in Fibre Channel Forwarder (FCF) mode. Server1 should be able to discover storage target1 and target2. but not target3. Assume that the zone-aliases have been configured to reference the FC devices correctly

```
zone name 1
  member zone-alias server1
zone name 2
  member zone-alias target1
zone name 3
  member zone-alias target2
zone name 4
  member zone-alias target3
zone name 5
  member zone-alias target1
  member zone-alias target2
zone name 6
  member zone-alias server1
  member zone-alias target1
  member zone-alias target2
```

Which zone(s) should be added to the active zoneset?

- A. zone 1, zone 2, and zone 3
- B. zone 1 and zone 5
- C. zone 4
- D. zone 6

Correct Answer: D

QUESTION 3



An HP Comware switch port is being connected to a server Converged Network Adaptor (CNA). The CNA and the switch port need to communicate about parameters for various priority flow control (PFC) and bandwidth control mechanisms. How does the administrator enable these communications?

- A. Enable PFC globally and then enable PFC on the switch port
- B. Enable the Fibre Channel (FC) fabric port function on the switch port and then set the port as an F-port.
- C. Enable Ethernet Virtual Bridging (EVB) on the switch port.
- D. Enable LLDP globally and then enable Data Center Bridging eXchange (DCBX) TLVs on the switch port

Correct Answer: D

QUESTION 4

Refer to the exhibit An administrator is setting up MPLS Layer 2 VPN connections between several customer sites and wants to send traffic that arrives on G1/0/1 with VLAN tag 102 to Site 2. Traffic with a different tag will be sent to a different site. How should the administrator implement this?

Exhibit 1

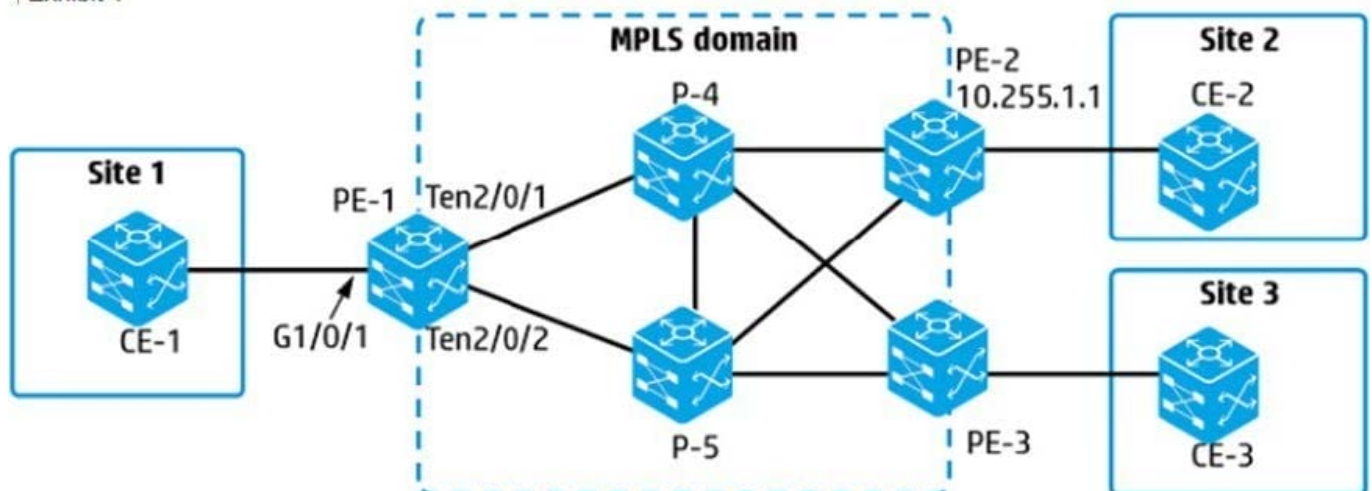


Exhibit 2

```
interface GigabitEthernet 1/0/1
 service-instance 1
 xconnect-group Site1toSite2
 ac interface GigabitEthernet1/0/1 service-instance 1
 peer 10.255.1.1 pw-id 2
```

- A. Remove service-instance1 from interface G1/0/1 and add it to VLAN 102
- B. Set the encapsulation for service-instance 1 to S-VLAN 102
- C. Set the peer PW outer label to 102 in xconnect-group Site1toSite2.
- D. Set the peer PW inner label to 102 in xconnect-group Site1toSite2.



Correct Answer: B

QUESTION 5

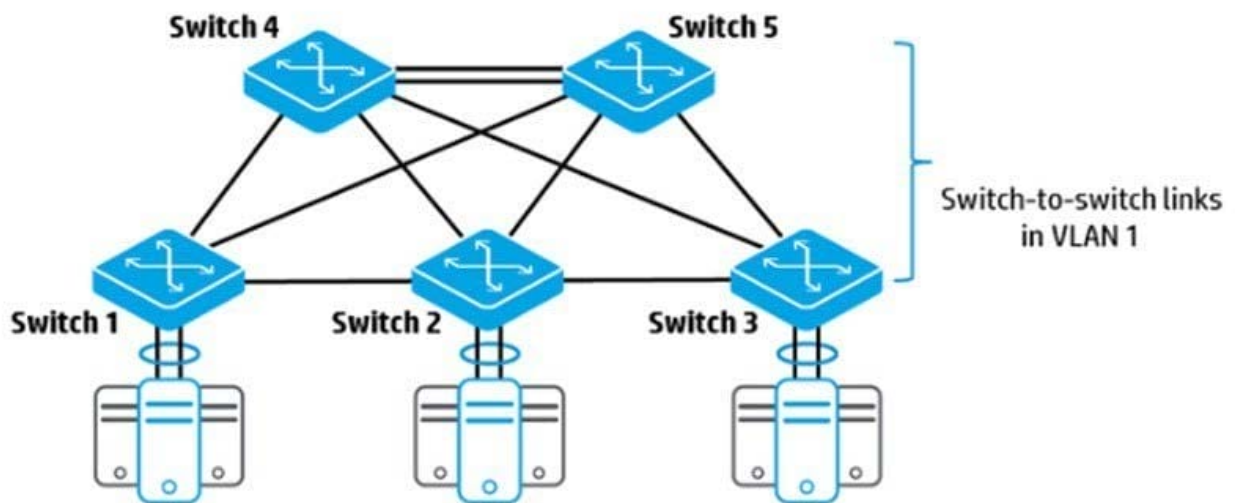
An administrator configures an HP Comware switch to support FCoE in Fibre Channel Forwarder (FCF) mode. A switch interface connects to a server Converged Network Adapter (CNA) which sends normal data and storage traffic. What is the correct configuration for this port?

- A. FC port in NP mode
- B. bound to a VFC interface, which is in F mode
- C. bound to a VFC interface, which is in E mode
- D. FC port in F mode

Correct Answer: A

QUESTION 6

Refer to the exhibit



An administrator wants these switches to establish a TRILL region. TRILL is enabled globally and nicknames are set. What must the administrator do so that each TRILL switch (RBridge) finds the best path to all other TRILL switches?

- A. Configure IS-IS on VLAN 1 on all the switches.
- B. Enable TRILL with the correct link-type on each switch-to-switch port
- C. Configure DRB priorities on all switch-to-switch links.
- D. Create a Virtual Service Instance (VSI) on each switch and define the other switches as TRILL peers.

Correct Answer: B



QUESTION 7

How does a non-hierarchical VPLS Martini solution prevent looping for broadcasts and multicasts?

- A. PEs use a hub and spoke topology, relying on the hub to distribute broadcasts and multicasts.
- B. PEs use split horizon operations, never forwarding a packet received on a pseudo wire (PW) over another PW.
- C. PEs implement Shortest Path Bridging (SPB) VLAN Mode (SPBV).
- D. PEs implement a version of Spanning Tree Protocol (STP), preferably Multiple STP (MSTP).

Correct Answer: B

QUESTION 8

An administrator configures two VSANs on an HP Comware IRF virtual switch. The IRF members connect to a server with two Converged Network Adapters (CNAs) One CNA is connected to VSAN 1, and the

other is connected to VSAN 2 The storage target for the server is also connected to VSAN 1 and VSAN 2. What is required for this setup to work?

- A. The HP switch must place the ports connected to the server CNAs in a link aggregation set to static mode
- B. The server CNAs must support multi-path I/O (MPIO)
- C. The HP switch must place the ports connected to the server CNAs in a link aggregation set to dynamic (LACP) mode
- D. The HP switch must support multi-path I/O (MPIO).

Correct Answer: A

QUESTION 9

What is the purpose of the nickname in TRILL switch settings?

- A. The nickname identifies the TRILL region and must match on every TRILL RBridge in the region.
- B. Administrators can use the nicknames to identify switches in CLI output.
- C. The nickname is the first factor for electing a root bridge
- D. TRILL RBridges use the nicknames as source and destination addresses in TRILL headers

Correct Answer: D

QUESTION 10



An administrator binds VLAN interface 10 to VPN instance "TenantA" on an HP Comware switch by using this configuration: interface Vlan-interface 10 ip address 10.1.10.1 255.255.255.0 How does the administrator's action affect the interface IP address?

- A. The interface loses the IP address, and the administrator must configure the IP address on this interface again.
- B. The IP address remains 10.1.10.1/24 but is extended with the Route Distinguisher (RD) and can now be assigned to an interface in another VPN instance.
- C. The interface loses the IP address and the administrator must map the interface to 10.1 10.1/24 from the VPN instance context
- D. The IP address remains 10.1 10.1/24. but now this subnet can also be assigned to an interface in another VPN instance.

Correct Answer: D

[HP2-Z34 PDF Dumps](#)

[HP2-Z34 VCE Dumps](#)

[HP2-Z34 Exam Questions](#)