



DEA-1TT4^{Q&As}

Information Storage and Management v4 exam

Pass Dell DEA-1TT4 Exam with 100% Guarantee

Free Download Real Questions & Answers **PDF** and **VCE** file from:

<https://www.passapply.com/dea-1tt4.html>

100% Passing Guarantee
100% Money Back Assurance

Following Questions and Answers are all new published by Dell Official Exam Center

-  **Instant Download** After Purchase
-  **100% Money Back** Guarantee
-  **365 Days** Free Update
-  **800,000+** Satisfied Customers





QUESTION 1

In a Fibre Channel (FC) protocol stack, what is the function of the FC-2 layer?

- A. Provides transmission words, primitive signals, and link initialization
- B. Provides FC addressing, structure, and organization of data
- C. Provides standards for the physical interface, media, and transmission of bits
- D. Provides application interfaces and maps several protocols to FC layers

Correct Answer: B

Reference: <https://www.mycloudwiki.com/san/fc-san-protocols/>

QUESTION 2

What accurately describes a shared pool in virtual provisioning?

- A. Should contain only homogeneous disk drive types.
- B. Supports a single RAID protection level.
- C. Consists of only a virtual storage volume.
- D. Should contain only physical drives with different sizes.

Correct Answer: B

QUESTION 3

Which exhibit represents a Type 2 hypervisor?

- A.
- B.
- C.
- D.

Correct Answer: C

Reference: <https://searchservvirtualization.techtarget.com/definition/hosted-hypervisor-Type-2-hypervisor>

QUESTION 4

Which Dell EMC product provides a software-defined platform that supports both block and file storage services?



- A. XtremIO
- B. PowerMax
- C. FAST VP
- D. VPLEX

Correct Answer: D

QUESTION 5

DRAG DROP

To authenticate a user using OpenID authentication control, what are the correct sequence of steps?

Select and Place:

User provides consent to profile sharing	STEP 1
User sends a login request using OpenID	STEP 2
Authentication response is redirected to the organization providing the services	STEP 3
Authentication request is redirected to an OpenID provider	STEP 4

Correct Answer:

	User sends a login request using OpenID
	Authentication request is redirected to an OpenID provider
	Authentication response is redirected to the organization providing the services
	User provides consent to profile sharing



QUESTION 6

Which Dell EMC product is a software-defined storage platform that abstracts, pools, and automates a data center's physical storage infrastructure?

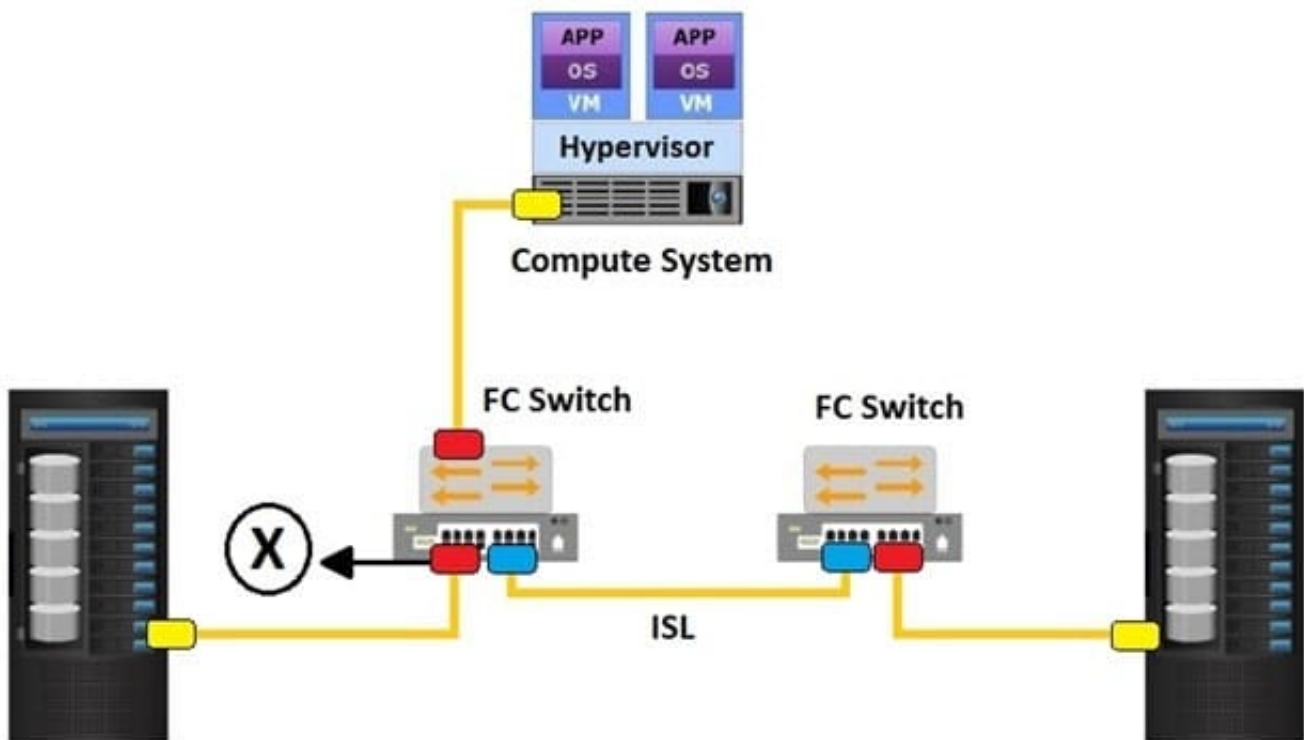
- A. XtremIO
- B. ViPR Controller
- C. VxFlex OS
- D. PowerMax

Correct Answer: B

Reference: <https://www.delltechnologies.com/en-us/software-downloads/index.htm#!freeware>

QUESTION 7

What does the "X" represent in the exhibit?



- A. E_port
- B. F_port
- C. N_port
- D. NL_port

Correct Answer: C



QUESTION 8

DRAG DROP

Match the characteristics of big data with their respective descriptions.

Select and Place:

<u>Big Data Characteristics</u>	<u>Description</u>
Variety	Reliability and verifiability of the data
Variability	Diversity in the formats and types of data
Veracity	Rate at which data produces and changes
Velocity	Constant change in the meaning of data

Correct Answer:

<u>Big Data Characteristics</u>	<u>Description</u>
	Veracity
	Variety
	Velocity
	Variability

QUESTION 9

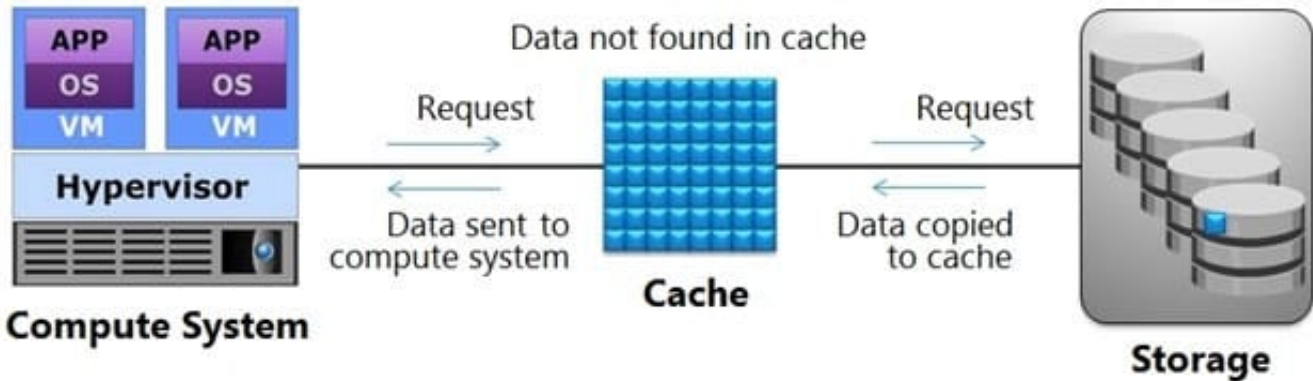
Why are organizations moving towards a modern data center implementation?

- A. Develop modern applications in the public cloud without having the right skill set in-house.
- B. Ability to be agile, operate in real time, and develop intelligent products.
- C. Deploy only unified and converged IT resources to reduce the management complexity.
- D. Reduce the cost of managing data center components by using a self-service catalog.

Correct Answer: C

Reference: <https://www.actualtechmedia.com/wp-content/uploads/2018/05/Building-a-Modern-Data-Center-ebook.pdf>

QUESTION 10



Which operation is represented in the exhibit?

- A. Write-back Cache
- B. Read Cache Miss
- C. Write-through Cache
- D. Read Cache Hit

Correct Answer: A

Reference: <https://doc.opensuse.org/documentation/leap/virtualization/html/book-virt/cha-cachemodes.html>

QUESTION 11

Why is it important for organization to deploy intelligent storage systems in their data centers?

- A. Reduce the complexity of managing information by creating silos of storage
- B. Effectively migrate data from a data center to the cloud at no cost
- C. Reduce the amount of data to be replicated, migrated, and backed up
- D. Effectively store and manage information across data centers

Correct Answer: D

Reference: <https://cdn.cnetcontent.com/syndication/mediaserverredirect/96f71ef8c9d8c8a1c4fb58878758c8fe/original.pdf>

QUESTION 12

DRAG DROP

Match the Fibre Channel (FC) Layers with their respective functions.

Select and Place:



FC Layers

FC-1
FC-2
FC-3
FC-4

FC Functions

Routing
Mapping interface
Encode/Decode
Common services

Correct Answer:

FC Layers

FC Functions

FC-2
FC-4
FC-1
FC-3

Reference: https://www.google.com/url?sa=t&drct=j&ndq=and&src=s&ndsource=web&ndcd=10&ndved=2ahUKEwjoiWjKbIAhXyxoUKHbl_AU4QFjAJegQlAxAC&ndurl=https%3A%2F%2Fwww.dell.com%2Fcommunity%2Fs%2Fvauj58549%2Fattachments%2Fvauj58549%2Fconnectrix%2F4498%2F1%2FSC_Distance_Reference_GA-SG-061-00%255B1%255D.pdf&ndusg=AOvVaw3SqLy5ETVbbmlBfl579cca

QUESTION 13

Which functionality does a Control layer provide in a software-defined networking architecture?

- A. Defining the network behavior through various policies.
- B. Making decisions on how the packets should be forwarded.
- C. Establishing communications between the Infrastructure and Interface layers.
- D. Forwarding data packets based on the requirements from the Application layer.

Correct Answer: B

QUESTION 14

Which compute system component enables dynamic extension of file system capacity and efficient storage management?

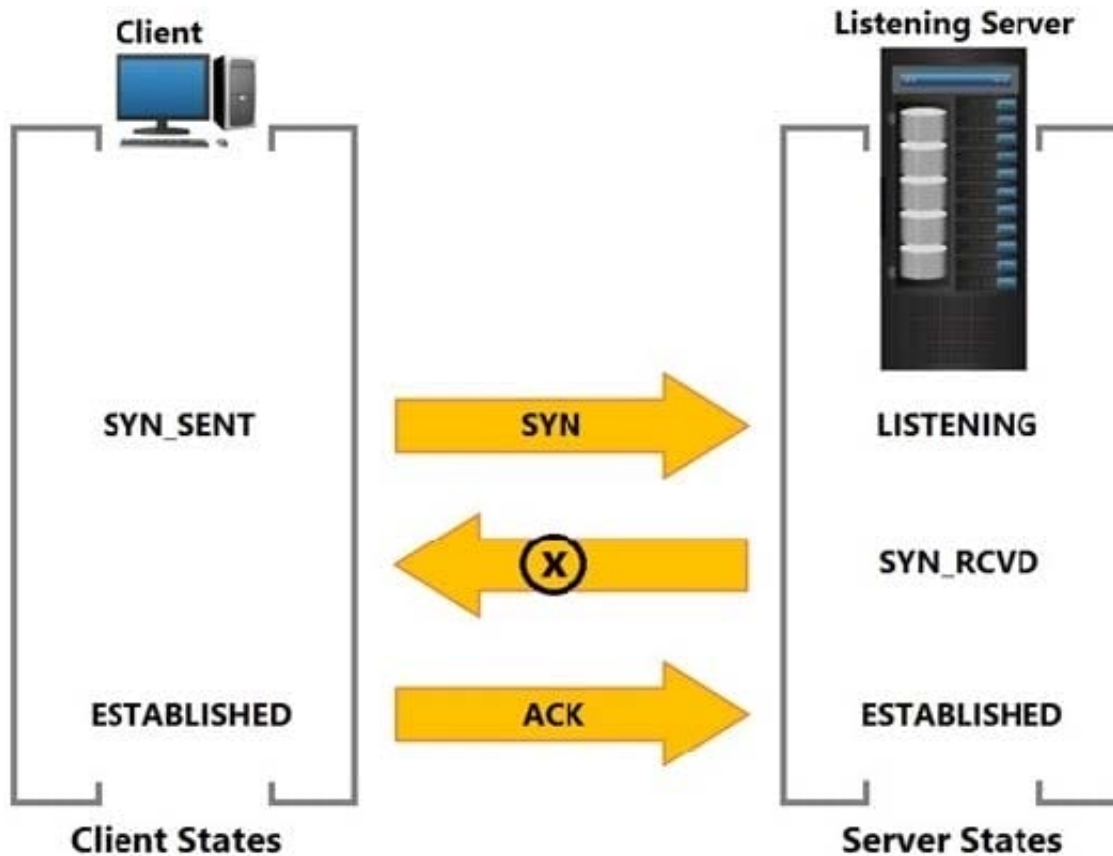
- A. Logical Unit Number
- B. Logical Unit Number Masking
- C. Logical Volume Manager
- D. Virtual Memory Manager

Correct Answer: C

The evolution of LVMs enabled dynamic extension of file system capacity and efficient storage management. The LVM provides optimized storage access and simplifies storage resource management. It hides details about the physical disk and the location of data on the disk. It enables administrators to change the storage allocation even when the application is running.

Reference: <https://www.mycloudwiki.com/san/server-components/>

QUESTION 15



Based on the exhibit, what does the "X" represent?

- A. NACK SYN
- B. ACK SYN
- C. SYN NACK



D. SYN ACK

Correct Answer: B

[Latest DEA-1TT4 Dumps](#)

[DEA-1TT4 Exam Questions](#)

[DEA-1TT4 Braindumps](#)