



OMG-OCUP-200^{Q&As}

OMG-Certified UML Professional Intermediate Exam

**Pass OMG OMG-OCUP-200 Exam with 100%
Guarantee**

Free Download Real Questions & Answers **PDF** and **VCE** file from:

<https://www.passapply.com/omg-ocup-200.html>

100% Passing Guarantee
100% Money Back Assurance

Following Questions and Answers are all new published by OMG
Official Exam Center

-  **Instant Download** After Purchase
-  **100% Money Back** Guarantee
-  **365 Days** Free Update
-  **800,000+** Satisfied Customers





QUESTION 1

What statement is true if a port delegates to multiple ports on subordinate components?

- A. multiple delegation is not allowed
- B. subordinate ports must be type compatible with the delegating port
- C. subordinate ports must collectively offer the delegated functionality of the delegating port
- D. at execution time, signals will be delivered from the subordinate ports to the delegating port

Correct Answer: C

QUESTION 2

What situation results from performing a CreateObjectAction on an abstract class?

- A. undefined behavior
- B. exception being raised
- C. error log entry being created
- D. object of the specified class being created
- E. arbitrary object of one of its subclasses being created

Correct Answer: A

QUESTION 3

What does the history of a state represent?

- A. most recent active configuration of its substates
- B. most recent transition that was taken into the state
- C. most recent transition that was taken out of the state
- D. number of times that the state has been active before

Correct Answer: A

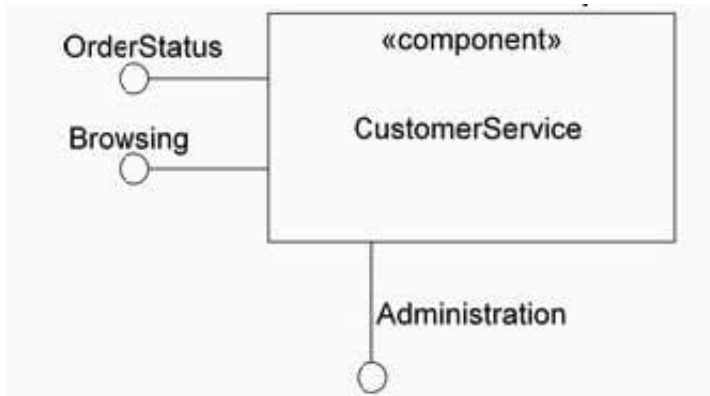
QUESTION 4

Refer to the exhibit.

What is the significance of the fact that the Administration interface symbol extends downward rather than



leftward?

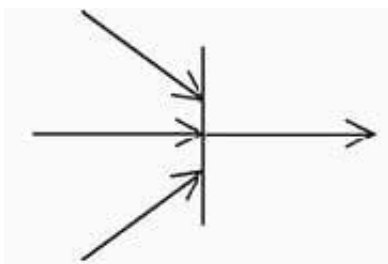


- A. There is no significance.
- B. The interface cannot be provided via a port.
- C. The interface does not require a delegation connector.
- D. The interface is not publicly visible on the component.
- E. The interface is the primary interface for the component.
- F. The interface is the primary provided interface for the component.

Correct Answer: A

QUESTION 5

In the exhibit, how many of the arrows must provide values for the outgoing arrow to be given a value?



- A. none
- B. one
- C. two
- D. three

Correct Answer: D



QUESTION 6

What is true about a pseudostate?

- A. not a state but a vertex
- B. a state entry or exit point
- C. a specification of a potential state
- D. a state that can be specialized for different purposes

Correct Answer: A

QUESTION 7

How many arrows can connect to a partition?

- A. none
- B. one
- C. two
- D. any number

Correct Answer: A

QUESTION 8

What is true of a required interface associated with a port?

- A. represents an interface that must be defined within the classifier that owns the port
- B. identifies the services that the object owning the port expects of objects connected via that port
- C. identifies the services that the object owning the port can offer to other objects connected via that port
- D. represents an interface that must be defined in the same package in which the classifier owning the port is defined

Correct Answer: B

QUESTION 9

What is true about guards on interaction operands?

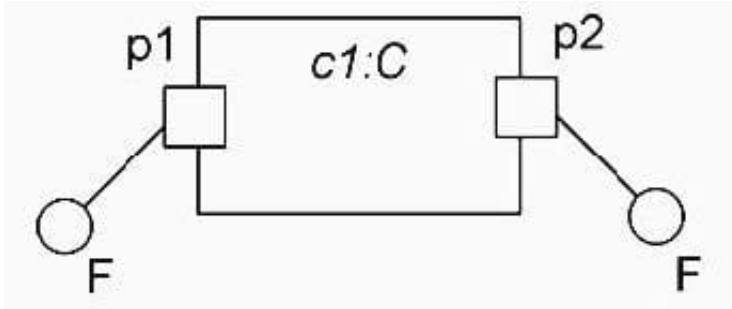
- A. must always cover all lifelines covered by the operand
- B. should not refer to any dynamic variables, i.e., to attributes of the lifelines
- C. must cover the same lifelines on all interaction operands within one combined fragment
- D. must only cover one lifeline, namely the one lifeline having the first event occurrence of the interaction operand



Correct Answer: D

QUESTION 10

What does the composite structure exhibit show?

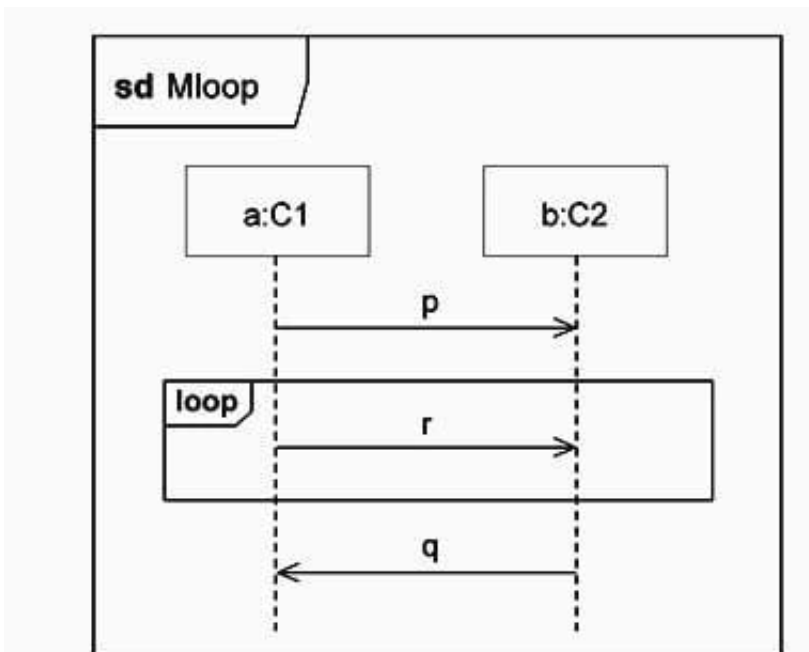


- A. The diagram is not valid.
- B. The two F interfaces must come from different packages.
- C. Requests for behavioral features of interface F through ports p1 and p2 can be distinguished.
- D. Requests for behavioral features of interface F through ports p1 and p2 will always result in the same behavior.

Correct Answer: C

QUESTION 11

Assume !p denotes sending of p, ?p the reception of p. In the exhibit, what traces are valid? (Choose three)



A.



- B.
- C.
- D.
- E.
- F.

Correct Answer: ABE

QUESTION 12

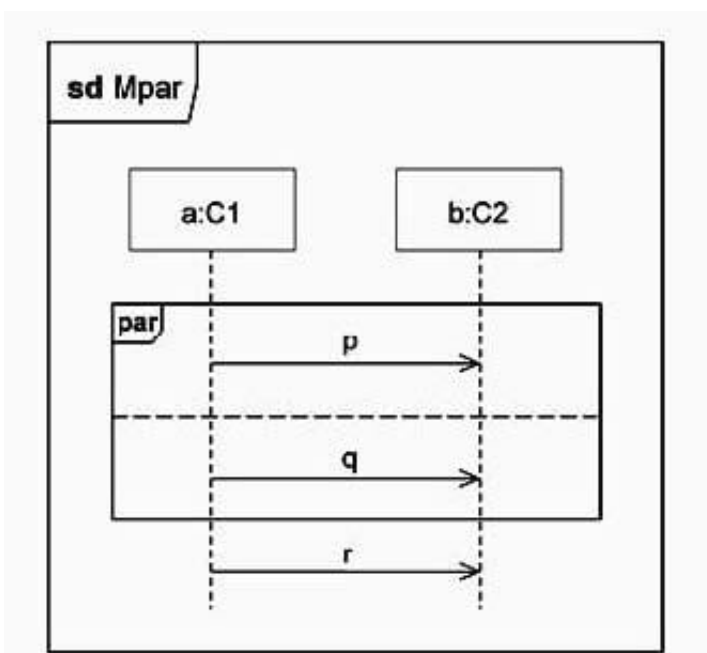
What situation results from an ApplyFunctionAction?

- A. produces output values
- B. performs any set of UML actions
- C. reads objects and produces output values
- D. writes objects and produces output values
- E. reads objects, write objects, and produces output values

Correct Answer: A

QUESTION 13

In the exhibit, what is true about Mpar?



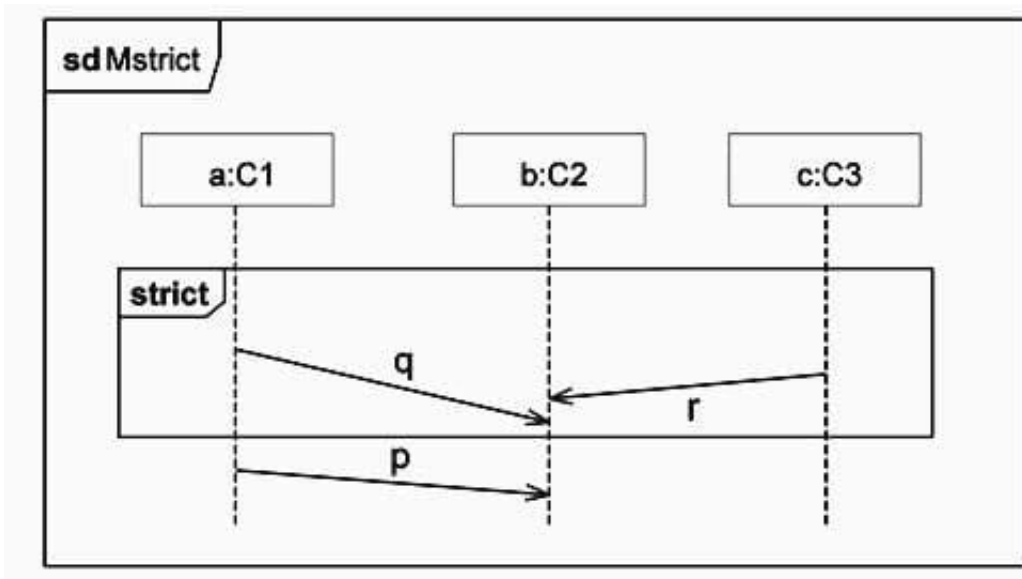


- A. Every trace contains all three messages.
- B. Sending p must always precede sending q.
- C. Receiving p must always precede receiving q.
- D. There are legal traces that do not contain message q.

Correct Answer: A

QUESTION 14

In the exhibit, what is true about Mstrict?



- A. The whole Mstrict has only one legal trace.
- B. Sending r precedes sending p in all legal traces.
- C. Sending q precedes reception of r in all legal traces.
- D. Within the strict combined fragment, sending a signal will immediately be followed by the reception of that signal.

Correct Answer: C

QUESTION 15

What might a connector specify?

- A. links
- B. classes
- C. messages



D. associations

E. dependencies

Correct Answer: A

[OMG-OCUP-200 PDF Dumps](#)

[OMG-OCUP-200 VCE Dumps](#)

[OMG-OCUP-200 Study Guide](#)