

100% Money Back
Guarantee

Vendor: IBM

Exam Code: C2010-564

Exam Name: Fundamentals of Applying Tivoli Storage
Solutions V3

Version: Demo

Topic 1, Volume A

QUESTION NO: 1

Which difference is reflected in a gap analysis?

- A. between software versions
- B. between expected and actual results
- C. between storage capacity and actual usage
- D. between actual and projected labor requirements

Answer: B

QUESTION NO: 2

The proposed storage solution design must address the requirement for monitoring, discovery of new resources, and provide detailed information so that cost recovery (chargeback) of data resources can be accomplished. Which IBM product fulfills this requirement?

- A. IBM Tivoli Storage Productivity Center
- B. IBM Chargeback for Storage Networks
- C. IBM Tivoli Storage Manager for Chargeback
- D. IBM Tivoli Storage Manager for Enterprise Resource Planning

Answer: A

QUESTION NO: 3

What should be done to complete the Solution Project after collecting customer requirements and educational/experience level of personnel, creating a solution design and proposal, and presenting the solution proposal?

- A. have a formal IT Management sign-off on the purchase order
- B. schedule a formal service review with the chief operations officer and staff
- C. execute a formal review with the IT manager to confirm acceptance and solution compliance
- D. schedule a formal customer sign-off on the proposed Scope Document or Statement of Work

Answer: D

QUESTION NO: 4

Which query displays information about client node server storage utilization?

- A. AUDITLIBRARY
- B. AUDIT VOLUME
- C. QUERY STORAGE POOL
- D. QUERY AUDIT OCCUPANCY

Answer: D

QUESTION NO: 5

During the interview with the customer it is determined that there are no full time employees assigned to manage the storage infrastructure and that there will be a need for three IBM Tivoli Storage Manager (TSM) servers and over 2000 TSM clients. Which recommendation should be included in the education document?

- A. that the customer call IBM Support if they have trouble
- B. that the customer have their senior storage administrator administer the training
- C. that the customer transfer two existing employees to this department and begin training
- D. that the customer have their storage administrators work with IBM to schedule classes for the products to be implemented

Answer: D

QUESTION NO: 6

Which application shows data storage trending for the customer's storage requirements?

- A. IBM Tivoli Netcool
- B. IBM Tivoli Asset Manager
- C. IBM Tivoli Common Reporting
- D. IBM Tivoli Enterprise Monitoring

Answer: C

QUESTION NO: 7

A customer using IBM Tivoli Storage Manager (TSM) has the infrastructure and hardware necessary to recover the TSM server to a remote location. The procedure to recover the TSM server is documented in a Microsoft Word (MS Word) file in one of the UNIX administrator's laptop. Which recommendation should be documented and provided to the customer?

- A.** Ask the UNIX administrator to send an e-mail to the IT organization with the MS Word file.
- B.** Backup the MS Word file with TSM and restore it in the disaster recovery remote location daily.
- C.** Post the MS Word file in a shared drive on one of the file and print servers on the remote location
- D.** Configure Disaster Recovery Manager and document the procedure so it is part of the TSM database.

Answer: D

QUESTION NO: 8

A customer has two 5 TB MS SQL databases with critical data to the business. Which products should be recommended to the customer in order to run database backups online with optimal performance?

- A.** IBM Tivoli Storage Manager (TSMJ for Databases and TSM API
- B.** TSM for Databases and TSM for Storage Area Networks
- C.** TSM for Databases and TSM for Enterprise Resource Planning
- D.** TSM for Databases and IBM Tivoli Continuous Data Protection for Databases

Answer: B

QUESTION NO: 9

Which two pieces of information should be included in the description of the current storage Service Level Agreement (SLA)? (Choose two.)

- A. backup window
- B. age of hardware
- C. cost of maintenance
- D. data retention requirements
- E. roles and responsibilities documentation

Answer: A

QUESTION NO: 10

A company is adding virtual machines to their environment. What is the most effective way to allow file level backups?

- A. VMware Consolidated Backup
- B. Volume Shadow Service Virtual Snapshot
- C. IBM Tivoli Storage Manager for Microsoft Hyper-V
- D. IBM Tivoli Storage Manager for Virtual Environments

Answer: D

QUESTION NO: 11

A customer environment is going through a lifecycle process where legacy applications and old backup infrastructure will be consolidated and migrated to an IBM Tivoli Storage Manager (TSM) backup environment. The consolidated applications consist of one Windows server containing small files and four LAN-free MS Exchange servers. The TSM environment is operating at 90% of its capacity and consists of one TSM server backing up to an IBM 3583 library with four LT04 drives. The current backup environment uses a GigE dedicated backup network. Which list of hardware components should be documented and provided to the customer in order to add the new servers to the backup infrastructure?

- A. four HBAs and additional LT04 drives
- B. five GigE NICs and additional LT04 drives
- C. one HBAs, four GigE NICs, and additional LT03 drives
- D. four HBAs, five GigE NICs, and additional LT04 drives

Answer: D

QUESTION NO: 12

The customer environment analysis has identified benefits by improving backup granularity. IBM Tivoli Storage Manager (TSM) FastBack can be integrated with IBM Tivoli Storage Manager to improve recovery. Which feature does TSM FastBack integration add to accomplish this?

- A. multi-session backup
- B. bare machine recovery
- C. block-level incremental backups
- D. progressive incremental backups

Answer: C

QUESTION NO: 13

The customer is running database applications for geological data and the amount of data is growing tremendously. The database server handles more than 30 TB of data. A month ago the IT environment was audited and feedback was that the recovery time of the database server took too much time. The customer has all the data on an IBM SAN volume controller. The data is backed up by IBM Tivoli Storage Manager (TSM). Which product solution gives a better Recovery Time Objective and should be in the proposal?

- A. IBM Tivoli Storage FlashCopy Manager
- B. IBM Tivoli Storage Productivity Center for Data
- C. IBM Tivoli Storage Manager FastBack + repository of 40 TB
- D. IBM SAN Storage 30 TB +Global Mirroring License + IBM Tivoli Storage Productivity Center for Replication

Answer: A

QUESTION NO: 14

Which currently marketed IBM product allows a customer to store large amounts of data by using a chronological and event-based data retention policy?

- A. IBM Information Archive

- B. IBM Tivoli Storage Manager DR550
- C. IBM Tivoli Storage Manager DR550
- D. IBM Tivoli Storage Manager Extended Edition

Answer: A

QUESTION NO: 15

A company's IT Manager has requested a topology view of the storage area network infrastructure. Which product provides this function?

- A. IBM Tivoli Storage Area Network Manager
- B. IBM Tivoli Storage Productivity Center Basic Edition
- C. IBM Tivoli Storage Productivity Center for Replication
- D. IBM Tivoli Storage Manager for Storage Area Networks

Answer: B

QUESTION NO: 16

The customer wants to view the physical and logical resources (e.g. computers, Storage Area Network fabrics, storage subsystems) that exist in the storage environment. Which product capability fulfills this requirement?

- A. IBM Tivoli Storage Productivity Center Topology Viewer
- B. IBM Tivoli Storage Productivity Center for Fabric Analysis
- C. IBM Tivoli Storage Productivity Center for Component Discovery
- D. IBM Tivoli Storage Productivity Center for Storage Administration

Answer: A

QUESTION NO: 17

When documenting a company's existing Disaster Recovery Plan, which document should be gathered?

- A. client applications
- B. LAN specifications
- C. capacity of the tape library
- D. locations of local and remote sites

Answer: D

QUESTION NO: 18

A customer wants to use IBM Tivoli Storage Manager (TSM) as their enterprise data protection application. The customer has an existing HP library with six LT03 drives to store the backup data. What would be the first recommendation to be documented and provided to the customer?

- A. purchase a TS7610 Protect TIER Deduplication Appliance to take full advantage of TSM capabilities
- B. request a Proof of Concept from HP to prove that their library and LT03 drives are supported with TSM
- C. verify if the current HP library and LT03 drives are supported by checking the TSM supported devices Website
- D. purchase an IBM TS3310 Tape Library with LT03 drives which is certified to work with TSM and is the best scalable solution for all backup needs

Answer: C

QUESTION NO: 19

Which feature of IBM Tivoli Storage Manager FastBack has an impact on the repository layout?

- A. disaster recovery
- B. data deduplication
- C. change block tracking
- D. bare machine recovery

Answer: B

QUESTION NO: 20

A customer has been running IBM Tivoli Storage Manager (TSM) in their environment for years and wants to update their infrastructure around V7000 and DS5000 as well as upgrade TSM to V6.2. The business needs a near-instant application-aware snapshot backup and LAN-free backup using the hardware and fiber channel connections. Which two types of education should be recommended? (Choose two.)

- A. IBM Tivoli Storage FlashCopy Manager Hands-on Lab
- B. IBM Tivoli Storage Manager V6.2 LAN-free Administration
- C. IBM Tivoli Storage Manager V6.2 Database Administration
- D. IBM Tivoli Storage Manager V6.2 Differences and Upgrade
- E. IBM Tivoli Storage Productivity Center V4.1 Administration and Operation

Answer: A,D

QUESTION NO: 21

A customer has a requirement to back up a Network Attached Storage (NAS) device. Which statement is true about how the tape library can be connected to back up this device using network data management protocol?

- A. The tape library is dedicated to the IBM Tivoli Storage Manager client.
- B. The tape library is connected to both the NAS device and the IBM Tivoli Storage Manager server.
- C. The tape library is connected to the IBM Tivoli Storage Manager client which can NFS mount the NAS device.
- D. The tape library is connected to the IBM Tivoli Storage Manager client which can NFS mount the NAS device only

Answer: B

QUESTION NO: 22

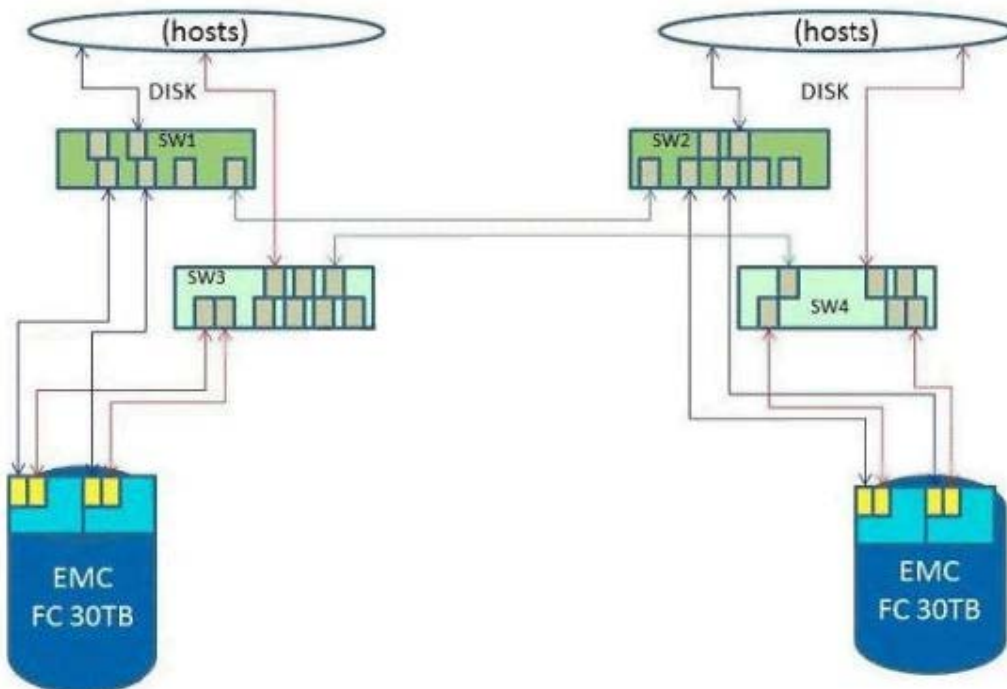
The customer is replacing all storage hardware. The existing environment has some DS4800 and DS3500. The IBM proposal is to implement a SAN Volume Controller with DS5000. One of the most important customer requirements is that the acceptable data loss is 30 minutes in case of a disaster. Which element in the proposal will meet this requirement?

- A. IBM Tivoli Storage FlashCopy Manager
- B. IBM Tivoli Storage Manager Extended Edition
- C. IBM Total Storage Productivity Center for Replication
- D. IBM Tivoli Storage Manager for Advanced Backup Services

Answer: A

QUESTION NO: 23

Click the Exhibit button.



The exhibit illustrates the customer's environment. The IT infrastructure is located in two buildings less than six miles (10 KM) apart. The customer follows a two vendor policy. IBM is invited to advise the customer. The equipment is 18 months old and will not be removed for another 18 months. The customer needs another 30 TB on both sides and the growth will be 100% per year.

Which IBM products should be included in the proposal?

- A. IBM N-series Gateway with Snap Mirror
- B. IBM N-Series completed with IBM System Storage Productivity Center and IBM Tivoli Storage Productivity Center for Replication

- C. IBM V7000 completed with IBM System Storage Productivity Center and IBM Tivoli Storage Productivity Center for Replication
- D. IBM TS7xxx Protector completed with IBM System Storage Productivity Center and IBM Tivoli Storage Productivity Center for Replication

Answer: C

QUESTION NO: 24

Which document is created to specify the retention and recovery requirements for a business?

- A. service level agreement
- B. data retention agreement
- C. data recovery specification
- D. storage recovery specification

Answer: A

QUESTION NO: 25

A customer invites IBM to solve this request:

The budget for hardware is frozen. The IT department is not allowed to spend any money on storage in the production environment. However, due to the agreement with IBM they are able to invest in software. The challenge is the data will grow by 50% in the coming 12 months. The space is available in the production environment, but the disk capacity for the backup IBM Tivoli Storage Manager (TSM) is limited. Which proposal should IBM make?

- A. use the TSM incremental forever feature
- B. upgrade the TSM server to V6.1 and start using data deduplication (client side)
- C. use TPC for Data and use se content management to remove business irrelevant data
- D. upgrade the TSM server and client to V6.2 and implement (client-server) data deduplication

Answer: D

QUESTION NO: 26

Which factor can dictate customer data retention policies when determining the logical design of the backup infrastructure?

- A. storage media type
- B. number of remote sites
- C. government regulations
- D. amount of incremental data to be protected

Answer: C

QUESTION NO: 27

After understanding a customer's storage environment, which information is relevant in the storage solution design?

- A. biggest risk factors
- B. IBM solution differentiators
- C. business benefits provided by the solution
- D. IT organizational structure diagram and description

Answer: C

QUESTION NO: 28

Which information is required when gathering the customer's governing standards to determine data retention policies?

- A. type of data to be backed up
- B. number of files to be archived
- C. customer's business requirements
- D. types of application databases used

Answer: C

QUESTION NO: 29

A customer has a network attached storage device in the network with data of all the file and print servers of the company. Which product should be recommended to the customer in order to back up this data?

- A. IBM Tivoli Storage FlashCopy Manager
- B. IBM Tivoli Storage Manager Express Edition
- C. IBM Tivoli Storage Manager Extended Edition
- D. IBM Tivoli Storage Manager for Storage Area Networks

Answer: C

QUESTION NO: 30

Which two items are included in a description of the existing environment to ensure that the disaster recovery site equipment is suitable for recovery? (Choose two.)

- A. client applications
- B. tape device types
- C. LAN specifications
- D. capacity of the tape library
- E. IBM Tivoli Storage Manager server operating system

Answer: B,E

QUESTION NO: 31

Which information is most important for a customer's storage representative to have during IBM Tivoli Storage Manager design and implementation phases?

- A. overview of the network topology
- B. the physical layout of an implemented IBM TotalStorage tape library
- C. overview of the storage infrastructure including IBM Tivoli Storage products
- D. overview of the firmware levels of the implemented IBM and non-IBM tape libraries and drives

Answer: C

QUESTION NO: 32

Which IBM Tivoli Storage Manager command provides information for an IBM Tivoli Storage Manager environmental baseline?

- A. QUERY SAN
- B. QUERY INFO
- C. QUERY SYSTEM
- D. QUERY STORAGE

Answer: C

QUESTION NO: 33

Which solution helps a customer experiencing performance problems due to network bandwidth limitations during their mighty backup window?

- A. enable replication
- B. enable encryption
- C. enable data cloning
- D. enable compression

Answer: D

QUESTION NO: 34

A customer's backup Window is not finishing on time. Upon reviewing the IBM Tivoli Storage Manager (TSM) server and client logs it appears that everything is configured properly. The customer is using eight LT04 tape drives, six LT05 tape drives, one dual port 2GB HBA and two GigE NIC cards. What should be documented and provided to the customer?

- A. add NIC cards
- B. add HBA cards
- C. add a new TSM server
- D. add a new storage pool to TSM

Answer: B

QUESTION NO: 35

The customer has set new requirements for the Recovery Time Objective and Recovery Point Objective of the IT department. IBM created a proposal which includes hardware and software. Where in the Project Overview document is the description of the solution to achieve this?

- A. Project Scope
- B. Key Milestones
- C. Project Approach
- D. Project Deliverables

Answer: D

QUESTION NO: 36

Which three criteria will trigger that a pre-sale Technical and Delivery assessment should be conducted for consideration of future hardware procurement proposals? (Choose three.)

- A. The application is mission critical.
- B. The solution is complex in design, implementation, or operation.
- C. The solution designed proposed is over \$500,000 USD in value.
- D. As a follow-up after the solution design has been completed and presented to the customer for review.
- E. The customer's requirements are not understood or insufficient resources and skills are applied to this solution.
- F. To help the customer understand the installation and implementation on plan and schedule and assess the client's readiness to support their new technology.

Answer: A,B,E

QUESTION NO: 37

What are two reasons a customer would implement IBM Tivoli Storage Manager for Virtual

Environments? (Choose two.)

- A. IBM Tivoli Storage Manager server is not required
- B. to utilize VMware's vStorage APIs for Data Protection
- C. to utilize VMware Consolidated Backup for Data Protection
- D. to utilize IBM Tivoli Storage Productivity for Virtual Environments
- E. to simplify management of the backup and restore process for virtual machines

Answer: B,E

QUESTION NO: 38

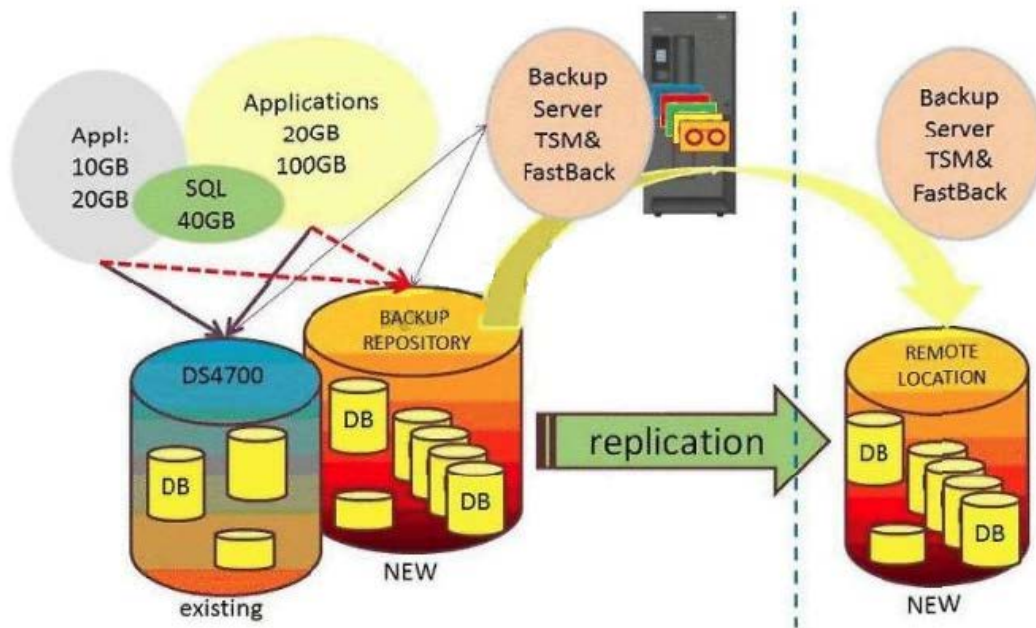
The customer requires a solution that will manage data by automatically migrating and recalling files as needed based on the current business rules. Which product meets this requirement?

- A. IBM Tivoli Storage Productivity Center for Data
- B. IBM Tivoli Storage Manager for Space Management
- C. IBM Tivoli Storage Manager FastBack for Bare Metal Restore
- D. IBM Tivoli Storage Manager for System Backup and Recovery

Answer: B

QUESTION NO: 39

Click the Exhibit button



The project review document describes which resources are needed for the solution. The solution is built using an IBM Tivoli Storage Manager FastBack server on the local site and one FastBack server and repository on the remote site. Which two certifications are recommended to demonstrate the skills and knowledge to build this FastBack solution? (Choose two.)

- A. IBM Certified Associate - Tivoli Monitoring V6.2.2
- B. IBM Certified Associate - Tivoli Storage Manager V6.2
- C. IBM Certified Specialist- Midrange Storage Technical Support V2
- D. IBM Certified Deployment Professional - Tivoli Storage Productivity Center V4.2
- E. IBM Certified Deployment Professional - Tivoli Storage Manager FastBack V6.1.1

Answer: B,E

QUESTION NO: 40

The customer has an N-Series storage device and wants to perform tile level restores from the backups. Which functionality is required with IBM Tivoli Storage Manager Extended Edition?

- A. SnapVault for N-Series
- B. Network Data Management Protocol
- C. FlashCopy function of the network attached storage
- D. IBM Tivoli Storage Manager for Storage Area Networks

Answer: B

QUESTION NO: 41

A customer has determined that IBM provides products and services that can be combined to create a solution for their business data retention requirements. What is the goal of an initial meeting with the customer executives?

- A. to evaluate the environment hardware
- B. to determine the amount of data that will be backed up
- C. to assemble a list of key players, decision makers, and roles
- D. to discuss the current products involved and which products might be considered in the solution

Answer: C

QUESTION NO: 42

The customer wants to upgrade 20 IBM Tivoli Storage (TSM) servers from V5.5 to V6.2. One of the TSM servers is the Library Manager for all TSM servers. Another TSM server is the Configuration Manager for all the TSM servers. The TSM servers are built on IBM Power Servers. Additionally, the customer wants to migrate from AIX to Windows platform at the same time. The biggest TSM server database is 30 GB. Which activity or recommendation should be in the solution design?

- A. upgrade to new system using network
- B. perform TSM Export/Import from V5.5 to V6.2
- C. upgrade to a new system using external media
- D. upgrade to a new system using the deployment feature

Answer: B

QUESTION NO: 43

Which communications method secures data in transit between the client and the server?

- A. SSL

- B. TCP/IP
- C. Sharedmem
- D. Named pipes

Answer: A

QUESTION NO: 44

A customer experienced an IT disaster. During the disaster recovery the customer found out that the recovery was not organized. The customer wants to have it fixed immediately with the existing tools. The customer is using IBM Tivoli Storage Manager. Their Service Level Agreement gives them 24 hours to recover. Which workshop should be taken?

- A. IBM Tivoli Storage Manager Continuous Data Protection
- B. IBM Tivoli Storage Manager Disaster Recovery Manager
- C. IBM Tivoli Storage Manager for System Backup and Recovery
- D. IBM Tivoli Storage Manager for Bare Machine Recovery Implementation

Answer: B

QUESTION NO: 45

The customer is running a large database (4 TB) and has asked IBM for a proposal to reduce the load on the local area network (LAN) and to minimize the IBM Tivoli Storage Manager (TSM) backup window. The IBM representative proposed using a LAN-free backup. The required investment contains hardware of 2 HBA (dual ports), fiber channel cable, and GBICs on the storage area network switch and implementation time. Which investment part is missing?

- A. TSM for Backup and Recovery
- B. TSM for Storage Area Network
- C. Storage Area Network Storage Pool
- D. Zoning in the Storage Area Network

Answer: B

To Read the [Whole Q&As](#), please purchase the [Complete Version](#) from [Our website](#).

Trying our product !



- ★ **100%** Guaranteed Success
- ★ **100%** Money Back Guarantee
- ★ **365 Days** Free Update
- ★ **Instant Download** After Purchase
- ★ **24x7** Customer Support
- ★ Average **99.9%** Success Rate
- ★ More than **69,000** Satisfied Customers Worldwide
- ★ Multi-Platform capabilities - **Windows, Mac, Android, iPhone, iPod, iPad, Kindle**

Need Help

Please provide as much detail as possible so we can best assist you.

To update a previously submitted ticket:



 One Year Free Update <p>Free update is available within One Year after your purchase. After One Year, you will get 50% discounts for updating. And we are proud to boast a 24/7 efficient Customer Support system via Email.</p>	 Money Back Guarantee <p>To ensure that you are spending on quality products, we provide 100% money back guarantee for 30 days from the date of purchase.</p>	 Security & Privacy <p>We respect customer privacy. We use McAfee's security service to provide you with utmost security for your personal information & peace of mind.</p>
---	---	--

[Guarantee & Policy](#) | [Privacy & Policy](#) | [Terms & Conditions](#)

Any charges made through this site will appear as Global Simulators Limited.

All trademarks are the property of their respective owners.

Copyright © 2004-2015, All Rights Reserved.