



830-01^{Q&As}

RCPE Certified Professional WAN Optimization

Pass Riverbed 830-01 Exam with 100% Guarantee

Free Download Real Questions & Answers **PDF** and **VCE** file from:

<https://www.passapply.com/830-01.html>

100% Passing Guarantee
100% Money Back Assurance

Following Questions and Answers are all new published by Riverbed
Official Exam Center

-  **Instant Download** After Purchase
-  **100% Money Back** Guarantee
-  **365 Days** Free Update
-  **800,000+** Satisfied Customers





QUESTION 1

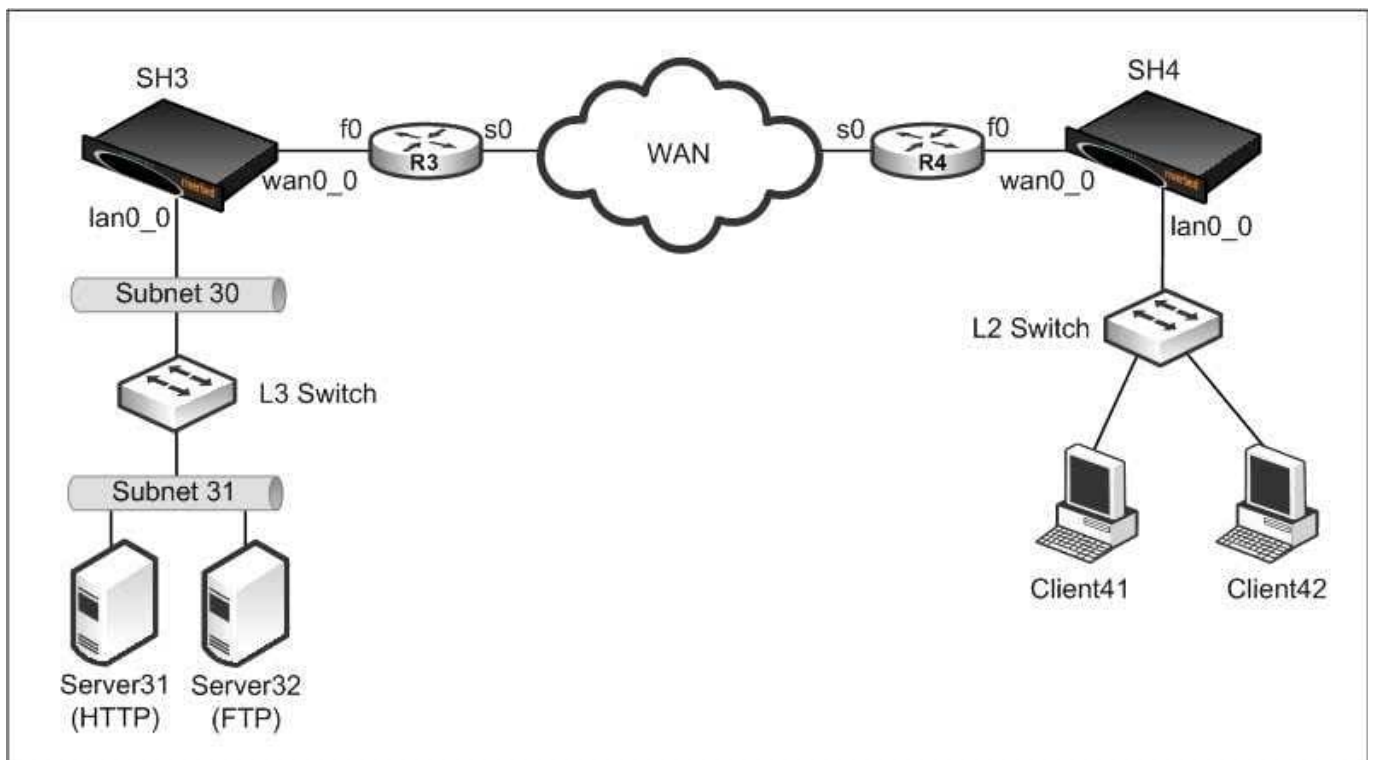
When a SteelHead reaches `admission control`, what happens to the network traffic it is processing?

- A. Existing optimized connections continue to be optimized but new connections are passed through.
- B. All existing connections continue to be optimized and new connections are also optimized.
- C. Existing optimized connections are passed through and new connections are optimized.
- D. All connections are reset to clear the alarm.
- E. All new connections are optimized except those which are MAPI pre-population.

Correct Answer: A

QUESTION 2

Refer to the exhibit.



SH3 and SH4 are able to optimize HTTP sessions from Client41 to application host Server31. However, Client41 receives a failure message. "ftp connect: Unknown error number" while trying to connect Server32. The same applies to Client42. Note that SH3 and SH4 are in auto-discovery mode. Client41 and Client42 are able to ping Server32. What is the most likely cause of this failure?

- A. The network interface card (NIC) at Server32 is down
- B. The FTP service running in Server32 is down



- C. An outbound access-list specified at R3f0 denies IP traffic from Client41 and Client42
- D. An outbound access-list specified at R3f0 denies FTP control traffic from Client41 and Client42
- E. The routing protocol between R3 and R4 is configured wrong

Correct Answer: B

QUESTION 3

What is the command to clear all statistics on a Steelhead appliance?

- A. (config) # stats clear-all
- B. (config) # clear-all stats
- C. (config) # reset stats
- D. (config) # reload stats clean
- E. (config) # clear stats

Correct Answer: A

QUESTION 4

Which of the following is Endpoint alarm?

- A. Locked secure vault
- B. Firewallled status
- C. Network interface error
- D. Temperature
- E. Memory paging

Correct Answer: B

QUESTION 5

Using an Interceptor appliance is an alternative to what network designs? (Select 2)

- A. WCCP
- B. PBR
- C. Connection Forwarding
- D. Fixed-target rules



E. Peering rules

Correct Answer: AB

QUESTION 6

The CMC appliance version 6.1 supports which SNMP versions? (Select 3)

- A. Version 1
- B. Version 2
- C. Version 2c
- D. Version 3

Correct Answer: ACD

QUESTION 7

A deployment has two parallel Interceptor appliances (A and B) each across a different link directed at different data center locations. Each data center has one Steelhead appliance (Steelhead-1 or Steelhead2). The administrator wants probes coming into Interceptor A to be first serviced by Steelhead-1, then Steelhead-2 only if Steelhead-1 is full or unavailable. What is the most appropriate rule to be configured?

- A. A Redirect Load Balancing rule containing Steelhead-1 and Steelhead-2
- B. No Load Balancing rules are needed for the administrator's policy
- C. Two Redirect Load Balancing rules; first rule for Steelhead-1 and second rule for Steelhead-2
- D. Two Redirect Load Balancing rules; first for both Steelhead-1 and Steelhead-2, second one for Steelhead-2

Correct Answer: C

QUESTION 8

In configuring failover settings, which of the following ports is set as the default for communicating with the backup Steelhead appliance?

- A. 7600
- B. 7744
- C. 7766
- D. 7820
- E. 7850

Correct Answer: D



QUESTION 9

What is the priority bit order for WCCP MASK?

- A. Source port, source IP, destination port, destination IP
- B. Destination port, source port, destination IP, source IP
- C. Source IP, destination port, destination IP, source port
- D. Source port, destination port, source IP, destination IP
- E. There is no priority order. It is weighted through bit assignments.

Correct Answer: D

QUESTION 10

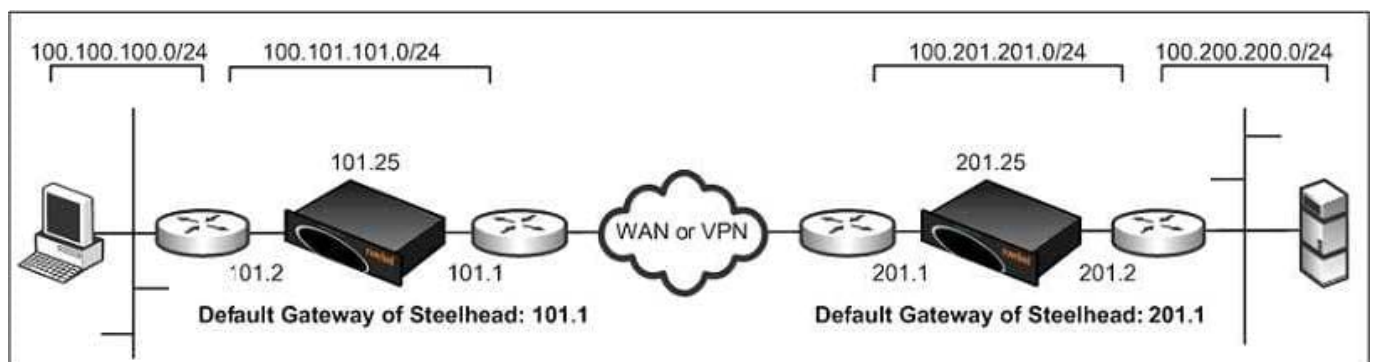
What are the default port labels on an Interceptor appliance?

- A. Optimized, Pass-through, Blocked
- B. Interactive, RBT-Proto, Secure
- C. RBT-Proto, Enabled, Disabled
- D. Named differently from those on the Steelhead appliance
- E. Port labels do not exist on an Interceptor appliance

Correct Answer: B

QUESTION 11

Refer to the exhibit.



A customer is reporting that the first connection from a user to the server is failing. However, subsequent connections work properly and are optimized. How can this problem best be resolved?



- A. Fixed-target rule
- B. Enable RIP/OSPF on the routers
- C. Enable Simplified Routing
- D. Enable QoS
- E. Enable RIP/OSPF on the Steelhead appliances

Correct Answer: C

QUESTION 12

Company X has many offshore oil rigs they want to bring optimization to. The only available connection is through a satellite that has frequent bursts of packet loss. There are very few users per rig and HTTPS-based SharePoint performance is so poor they often time out pulling down even a small file. CIFS often does not work at all. They are considering the Steelhead Mobile solution to solve this problem. You suggest they deploy a Steelhead in-path at the data center and:

- A. Steelhead Mobile with FEC turned on to help with lossy links
- B. Steelhead Mobile with HS-TCP configuration
- C. Steelhead Mobile running MX-TCP to deal with the loss
- D. Deploy Steelhead appliances with MX-TCP to deal with the loss
- E. Deploy Steelhead appliances with HS-TCP, Window Scaling, fixed-target rules, and TCP New Reno to overcome the loss

Correct Answer: D

QUESTION 13

-- Exhibit



WCCP Groups:

<input type="checkbox"/>	Interface, Group ID	Protocol	Priority	Weight	Encapsulation	Assignment
<input type="checkbox"/>	<input checked="" type="checkbox"/> inpath0_0, 94	TCP	200	100	either	either

Editing Interface inpath0_0, Service Group 94:

Protocol:
 Password:
 Password Confirm:
 Priority: (0-255)
 Weight:
 Encapsulation Scheme:
 Assignment Scheme:
 Source Mask: IP Mask: Port Mask:
 Destination Mask: IP Mask: Port Mask:
 Source Hash: Source IP Hash: Source Port Hash:
 Destination Hash: Destination IP Hash: Destination Port Hash:
 Ports Mode:
 Ports:

Routers:

<input type="checkbox"/>	IP	State	Forward Scheme	Return Scheme	Assign Scheme
<input type="checkbox"/>	<input type="text" value="172.16.11.3"/>	Connected	gre	gre	hash

-- Exhibit -Refer to the exhibit. In a WCCP environment with R3, SH10 and SH11, according to the exhibit attached, which statements are true? (Select 2)

- A. The Steelhead appliance is receiving only HTTP traffic from the router.
- B. The Steelhead appliance will not receive HTTP traffic from the router.
- C. There is no need to use access-lists on the router to select HTTP traffic.
- D. The Steelhead appliance is only receiving traffic on port TCP 1741.

Correct Answer: AC

QUESTION 14

Which physical Steelhead interface communicates with the Interceptor appliance?

- A. AUX
- B. Primary



C. wan0_0

D. B and C

E. A, B, and C

Correct Answer: D

QUESTION 15

Which of the following interfaces should be used for datastore synchronization? (Select 2)

A. inpath0_0

B. inpath0_1

C. Primary

D. AUX

Correct Answer: CD

[Latest 830-01 Dumps](#)

[830-01 Study Guide](#)

[830-01 Exam Questions](#)