



# 71800X<sup>Q&As</sup>

71800X - Avaya IX Messaging Implementation and Maintenance

**Pass Avaya 71800X Exam with 100% Guarantee**

Free Download Real Questions & Answers **PDF** and **VCE** file from:

<https://www.passapply.com/71800x.html>

100% Passing Guarantee  
100% Money Back Assurance

Following Questions and Answers are all new published by Avaya  
Official Exam Center

-  **Instant Download** After Purchase
-  **100% Money Back** Guarantee
-  **365 Days** Free Update
-  **800,000+** Satisfied Customers





### QUESTION 1

In High Availability architecture, what is the maximum number of ports that are supported on Avaya IXTM Messaging 10.8?

- A. 2,600
- B. 2,200
- C. 2,400
- D. 2,800

Correct Answer: A

---

### QUESTION 2

Which three statements about the recommended hardware requirements of Avaya IX

- A. Configure the CPU for Performance mode in the server's BIOS settings.
- B. All processors are to be Intel?2.0 GHz or better.
- C. Different configurations must be used for both physical and virtual servers.
- D. All processors are to be Intel?3.5 GHz or better.
- E. All hard drives must be high performance, server grade drives.

Correct Answer: ACD

---

### QUESTION 3

What are three deployment configuration considerations for installation of Avaya IXTM Messaging? (Choose three.)

- A. Network or mapped drives are not supported.
- B. Network or mapped drives are supported.
- C. An Avaya IXTM Messaging server may be installed on the root drive.
- D. The drives may be a physical drive, or a single drive with partitions.
- E. An Avaya IXTM Messaging server only be installed on the root drive.

Correct Answer: ADE

<https://downloads.avaya.com/css/P8/documents/101065045>

---



#### QUESTION 4

Content Synchronization Engine is the server that will perform the IMAP sync with Gmail, Office 365, and MS Exchange. For larger deployments, it is mandatory to add remote content sync engine(s).

What is the limit specified for adding a remote content sync engine?

- A. One server for every 20,000 Advanced users
- B. One server for every 10,000 Advanced users
- C. One server for every 5,000 Advanced users
- D. One server for every 2,000 Advanced users

Correct Answer: A

---

#### QUESTION 5

The number of Content Sync Engine (CSE) Servers required depends upon the number of advanced users that will be working on the system. What kind of server is required for 2,500 Advanced users, in a High Availability solution?

- A. CSE Running on CS
- B. CSE Running on Backup Server
- C. CSE Running on Voice Server
- D. A dedicated CSE Server

Correct Answer: D

---

#### QUESTION 6

Which two prerequisites and considerations must be met prior installing Avaya IXTM Messaging? (Choose two.)

- A. Antivirus software must be installed and operating according to specifications.
- B. The corporate telephone system and PBX must be installed and functioning properly.
- C. The server must have the operating system installed, patched and completely updated.
- D. Create all accounts on the server locally, and it doesn't need to have any domain accounts provisioned.

Correct Answer: AD

---

#### QUESTION 7

Which three statements about license management in Avaya IXTM Messaging High Availability are true? (Choose three.)



- A. The other servers (Secondary Server, Consolidated server, Mobilink Server, etc.) will maintain their individual license, which allows them to maintain full functionality.
- B. The Primary voice server will hold the license, and becomes the primary holder of the license.
- C. The license file will be copied to all voice servers by Mobilink.
- D. The license files on other servers (Secondary Server, Consolidated server, Mobilink Server etc) are time stamped, and expire after a certain period of time.
- E. The license files on other servers (Secondary Server, Consolidated server, Mobilink Server etc) are permanent, and do not expire.

Correct Answer: ACD

---

#### QUESTION 8

In the event of one or more VSN failures in a High Availability architecture, which component provides continuous voice messaging and message retrieval to all registered users?

- A. Voice Server Node
- B. Content Sync Engine
- C. Carbonite server
- D. Consolidated Server

Correct Answer: A

---

#### QUESTION 9

Which three field settings does the consolidated server have the ability to change? (Choose three.)

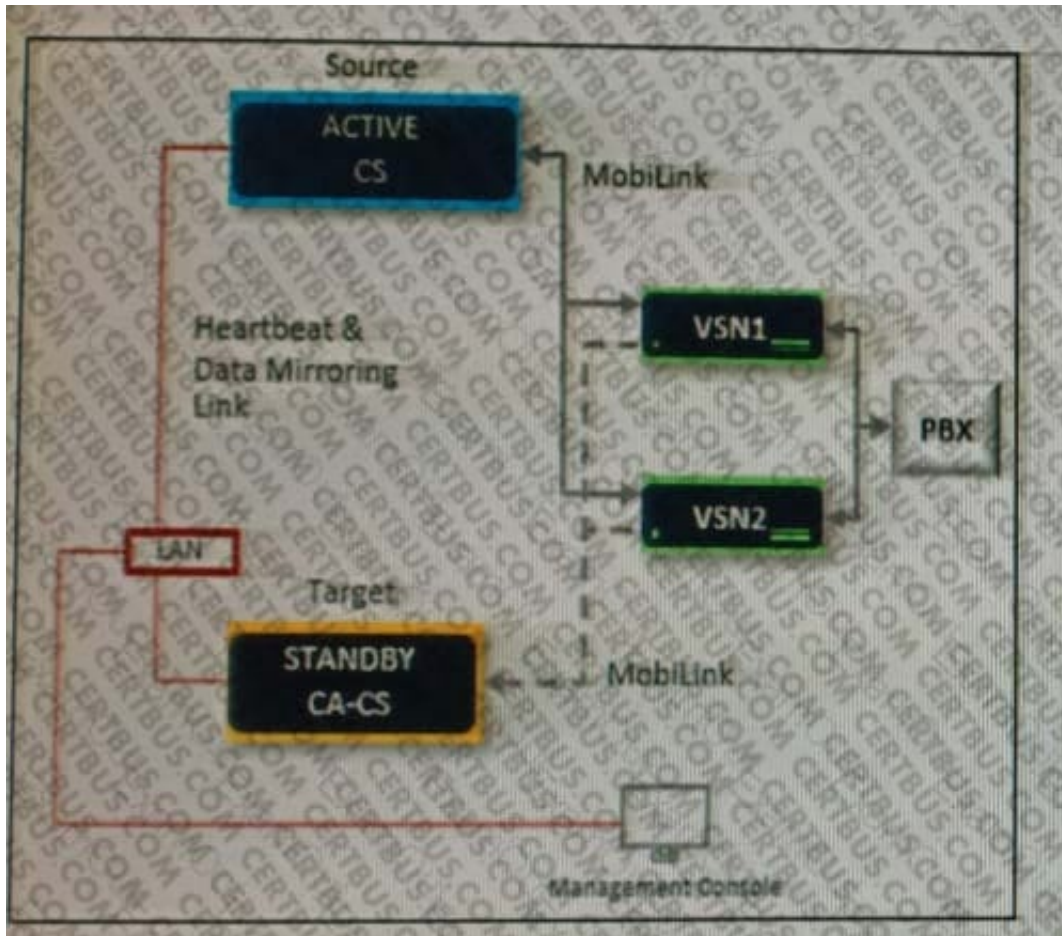
- A. Company
- B. SIP Settings
- C. Mailbox Settings
- D. Feature Group
- E. PBX Settings

Correct Answer: BCE

---

#### QUESTION 10

Refer to the exhibit.



What is illustrated in the exhibit?

- A. VSN Architecture for Disaster Recovery
- B. Carbonite availability of the Consolidated Server for Disaster Recovery
- C. Two consolidated servers in the active-active mode
- D. A Management Console allowing Avaya IXTM Messaging moves, adds, and changes

Correct Answer: A

[Latest 71800X Dumps](#)

[71800X Exam Questions](#)

[71800X Brindumps](#)