

100% Money Back
Guarantee

Vendor: Cisco

Exam Code: 640-811

Exam Name: Interconnecting Cisco Networking Devices

Version: Demo

100% Money Back Guarantee

QUESTION NO: 1

Refer to the exhibit. What can be determined from the output shown?

```
JaxSwitch1# show spanning-tree

VLAN0001
Spanning tree enabled protocol ieee
Root ID    Priority    32769
   Address    000d.bdc3.37c0
   Cost       19
   Port       26 (FastEthernet0/2)
   Hello Time 2 sec Max Age 20 sec Forward Delay 15 sec

Bridge ID  Priority    32769 (priority 32768 sys-id-ext 1)
   Address    000d.bdc3.a340
   Hello Time 2 sec Max Age 20 sec Forward Delay 15 sec
   Aging Time 300
```

- A. Spanning Tree Protocol is disabled on the JaxSwitch1 switch.
- B. The link to the root bridge is through a 1 Gbps connection.
- C. This is the only switch in the LAN topology.
- D. The JaxSwitch1 switch is using VTP.
- E. The JaxSwitch1 switch is not the root switch.

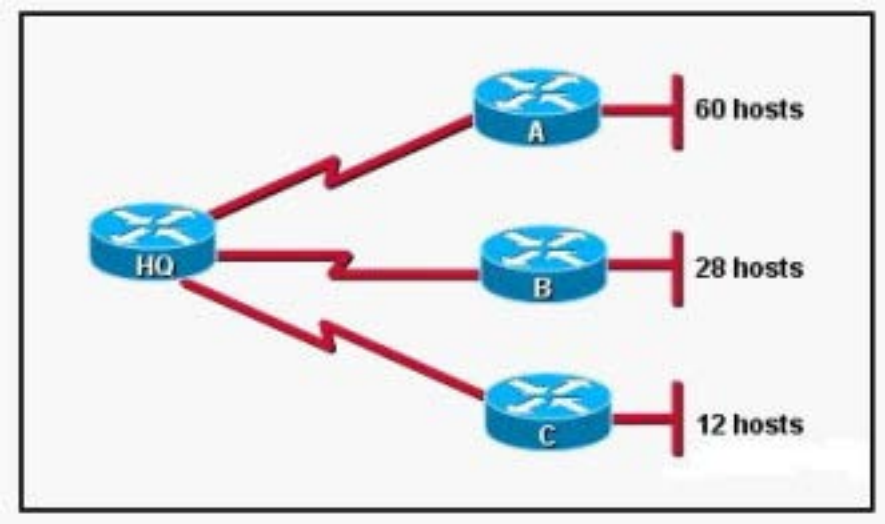
Answer: E

Explanation:

The spanning-tree algorithm characterizes STP. The spanning-tree Algorithm relies on a set of parameters to make decisions. The Bridge ID (BID) is the first parameter used by the spanning-tree algorithm. The Bridge ID (BID) is used by STP to determine the center of the bridged network, known as the Root Bridge . The Bridge ID (BID) parameter is an 8-byte field consisting of an ordered pair of numbers. The first is a 2-byte decimal number called the Bridge Priority, and the second is a 6-byte (hexadecimal) MAC address. The Bridge Priority is a decimal number used to measure the preference of a bridge in the spanning-tree Algorithm. The possible values range between 0 and 65,535. The default setting is 32,768.

QUESTION NO: 2

Refer to the exhibit. A Class C address has been assigned for use in the network shown in the exhibit. Which subnet mask should be used to provide valid IP addresses for the number of hosts connected to router A, while wasting the fewest addresses?



- A. /25
- B. /27
- C. /26
- D. /29
- E. /28
- F. /24

Answer: C

Explanation:

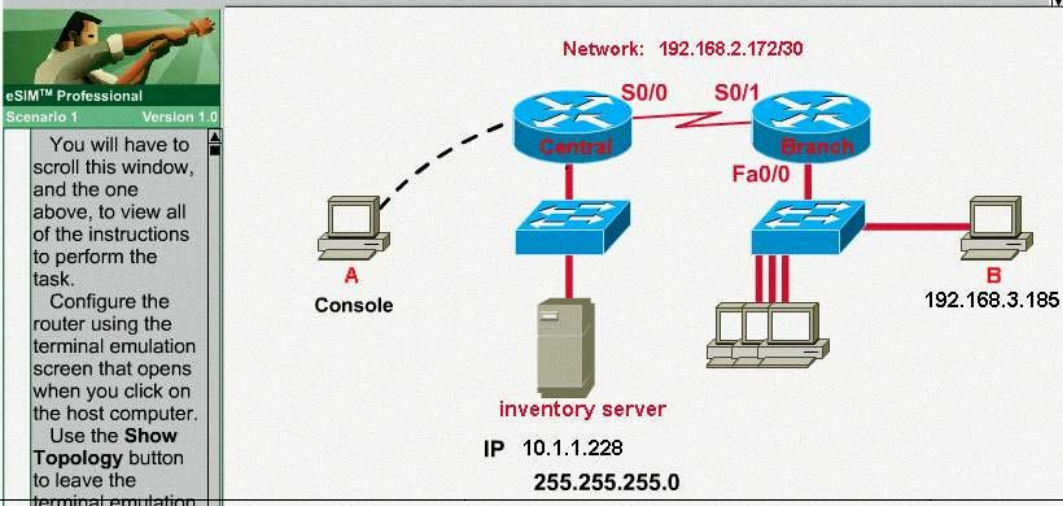
NO EXPLANATION

QUESTION NO: 3

LAB

The routers in the tire store network shown in the diagram have been partially configured. Your task is to complete the addressing configuration of the Central router and the LAN interface configuration of the Branch router. Layer 3 connectivity should be established between the host B on the Branch router LAN and the inventory server attached to the Central router. Use various router show commands to determine the correct configuration values that must be used. The only usable router console is attached to the Central router. You can access host B to test your results.

Enable secret password on all routers: "cisco".
 Vty lines 0-4 password: "cisco".



In this lab, you need troubleshoot the network connection.

Click on Console on Host A

```
Central>en
Password:cisco
Central#show run
then you will see the configuraiton like:
interfact serail0/0
description connected to Branch
no ip address
encapsulation hdlc
clockrate 640000
```

So you need configure the ip address for S0/0

```
Central#show cdp neighbors detail
```

You will see the address of interface S0/1 is 192.168.2.174
so the ip address for S0/0 should be 192.168.2.173
then configure the ip address for S0/0

```
Central#config term
Central(config)#inter s0/0
Central(config-if)#ip address 192.168.2.173 255.255.255.252
Central(config-if)#no shut
```

Now you can telnet to Branch

```
Central# telnet 192.168.2.174
```

```
password:cisco
```

```
Branch>en
```

```
password:cisco
```

```
Branch#show run
```

Then you will the configuration like

```
interfact FastEthernet0/0
description connected to LAN hosts
ip address 192.168.3.184 255.255.255.0
shutdown
keepalive 10
```

So obviously, we should active F0/0

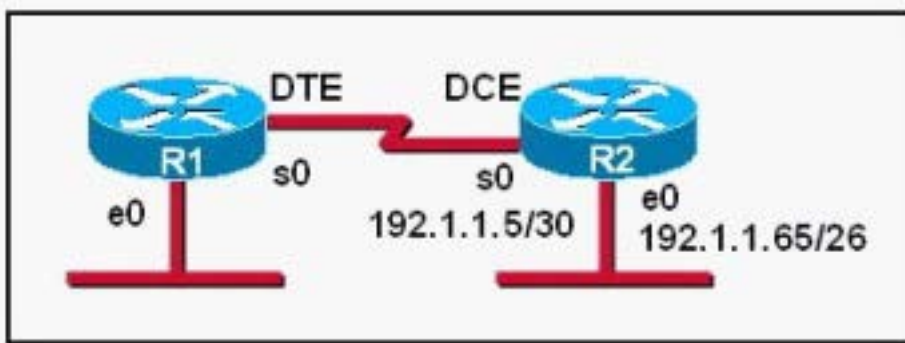
```
Branch#config ter
```

```
Branch(config)#inter f0/0
Branch(config-if)#no shut
```

Now you can log to Host B
 c:\>ping 10.1.1.228
 you will find it succeed, that'ok

QUESTION NO: 4

Which series of commands will configure router R1 for LAN-to-LAN communication with router R2? The enterprise network address is 192.1.1.0/24 and the routing protocol in use is RIP. (Choose three.)



- A. R1(config)# interface ethernet 0
 R1(config-if)# ip address 192.1.1.97 255.255.255.192
 R1(config-if)# no shutdown
- B. R1(config)# interface serial 0
 R1(config-if)# ip address 192.1.1.4 255.255.255.252
 R1(config-if)# clock rate 56000
- C. R1(config)# interface serial 0
 R1(config-if)# ip address 192.1.1.6 255.255.255.252
 R1(config-if)# no shutdown
- D. R1(config)# router rip
 R1(config-router)# network 192.1.1.4
 R1(config-router)# network 192.1.1.128
- E. R1(config)# interface ethernet 0
 R1(config-if)# ip address 192.1.1.129 255.255.255.192
 R1(config-if)# no shutdown
- F. R1(config)# router rip
 R1(config-router)# version 2
 R1(config-router)# network 192.1.1.0

Answer: C,E,F

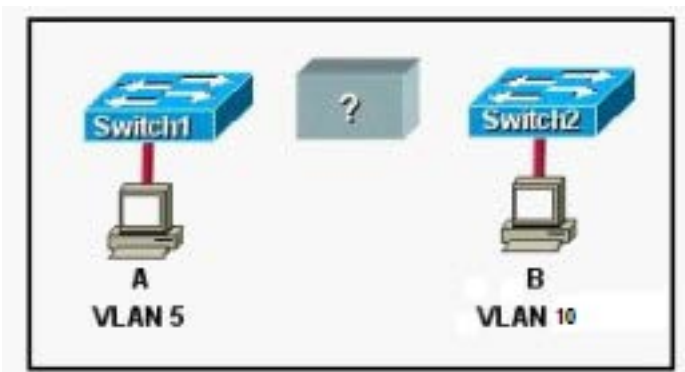
Explanation:

Answer A is correct because first Subnet is 65 and address from first subnet is used in TK2. First IP address of second subnet is assigned into ethernet of TK1.

WAN connection between TK1 and TK2 required two usable IP address so 30 bits used for Network. RIP version can't publish the subnet mask in routing table so RIP version 2 is used.

QUESTION NO: 5

Refer to the exhibit. What is required to allow communication between host A and host B?



- A. a crossover cable only
- B. a router connected to the switches with crossover cables
- C. a CSU/DSU connected to the switches with crossover cables
- D. a straight-through cable only
- E. a router connected to the switches with straight-through cables

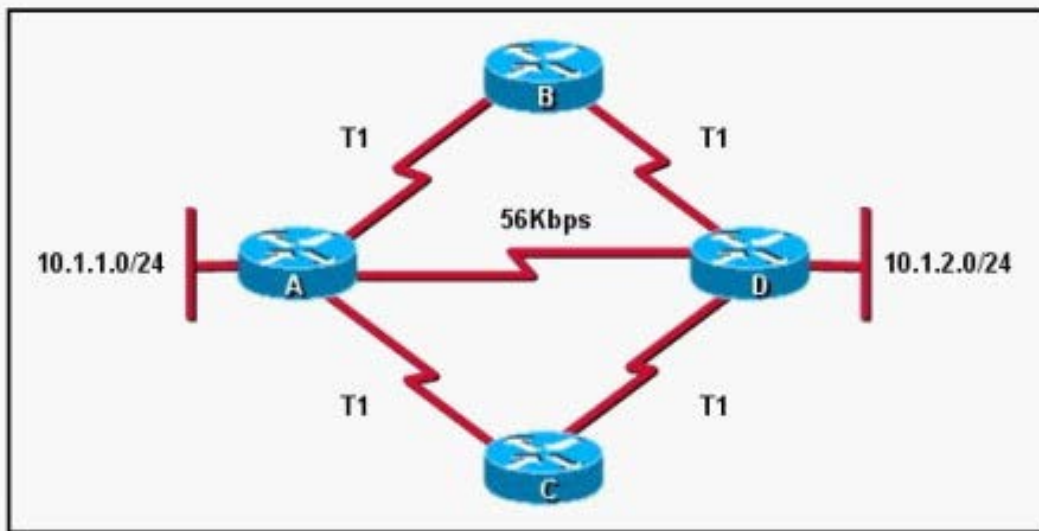
Answer: E

Explanation:

There are two different VLANs in the figure, we require the router to make inter-VLAN communication as well as Switch should connect with router using the straight-through cable to router with trunk. Straight-through cable is used to connect two different devices like, switch to router, host to switch.

QUESTION NO: 6

Refer to the exhibit. How will router A choose a path to the 10.1.2.0/24 network when different routing protocols are configured? (Choose three.)



- A. If EIGRP is the routing protocol, the equal cost paths ABD and ACD will be installed in the routing table by default.
- B. If RIPv2 is the routing protocol, only the path AD will be installed in the routing table by default.
- C. If EIGRP and OSPF are both running on the network, the OSPF paths will be installed in the routing table.
- D. If EIGRP and OSPF are both running on the network, the EIGRP paths will be installed in the routing table.
- E. If RIPv2 is the routing protocol, the equal cost paths ABD and ACD will be installed in the routing table by default.
- F. If EIGRP is the routing protocol, only the path AD will be installed in the routing table by default.

Answer: A,B,D

Explanation:

NO EXPLANATION

QUESTION NO: 7

Which commands are required to properly configure a router to run OSPF and to add network 192.168.16.0/24 to OSPF area 0? (Choose two.)

- A. Router(config-router)# network 192.168.16.0 0.0.0.255 0
- B. Router(config-router)# network 192.168.16.0 0.0.0.255 area 0
- C. Router(config)# router ospf area 0
- D. Router(config)# router ospf 1
- E. Router(config-router)# network 192.168.16.0 255.255.255.0 area 0
- F. Router(config)# router ospf 0

Answer: B,D

Explanation:

B. The network command specifies the IP address (192.168.10.0) followed by the wildcard mask (not the subnet mask), and the area that is to be associated with the OSPF address range (in this case, area 0). The wildcard mask indicates in binary how much of the IP address must be matched with 0s indicating that the bits must match and 1 indicating that they may vary. Thus 0.0.0.255 or 00000000.00000000.00000000.11111111 indicates that any bit in the last octet can vary while all bits in the first 3 octets must match the network address (in other words, 192.168.10.xx)

E. The router ospf command enables OSPF routing and enters router configuration mode. This command takes a <process-id> argument which identifies the OSPF process.

Incorrect Answers:

A: This command is correct, except for the fact that the keyword "area" is missing and needs to be inserted.

C: For OSPF, the inverse mask must be used, not the regular subnet mask.

E: OSPF can not use process ID 0, and the goal of this question is to put a specific network in area 0, not the entire routing process.

100% Money Back Guarantee

To Read the [Whole Q&As](#), please purchase the [Complete Version](#) from [Our website](#).

Trying our product !

- ★ **100%** Guaranteed Success
- ★ **100%** Money Back Guarantee
- ★ **365 Days** Free Update
- ★ **Instant Download** After Purchase
- ★ **24x7** Customer Support
- ★ Average **99.9%** Success Rate
- ★ More than **69,000** Satisfied Customers Worldwide
- ★ Multi-Platform capabilities - **Windows, Mac, Android, iPhone, iPod, iPad, Kindle**

Need Help

Please provide as much detail as possible so we can best assist you.

To update a previously submitted ticket:



 One Year Free Update <p>Free update is available within One Year after your purchase. After One Year, you will get 50% discounts for updating. And we are proud to boast a 24/7 efficient Customer Support system via Email.</p>	 Money Back Guarantee <p>To ensure that you are spending on quality products, we provide 100% money back guarantee for 30 days from the date of purchase.</p>	 Security & Privacy <p>We respect customer privacy. We use McAfee's security service to provide you with utmost security for your personal information & peace of mind.</p>
---	---	--

[Guarantee & Policy](#) | [Privacy & Policy](#) | [Terms & Conditions](#)

Any charges made through this site will appear as Global Simulators Limited.

All trademarks are the property of their respective owners.

Copyright © 2004-2015, All Rights Reserved.