



# 4A0-105<sup>Q&As</sup>

Alcatel-Lucent Virtual Private LAN Services

## Pass Alcatel-Lucent 4A0-105 Exam with 100% Guarantee

Free Download Real Questions & Answers **PDF** and **VCE** file from:

<https://www.passapply.com/4a0-105.html>

100% Passing Guarantee  
100% Money Back Assurance

Following Questions and Answers are all new published by Alcatel-Lucent Official Exam Center

-  **Instant Download** After Purchase
-  **100% Money Back** Guarantee
-  **365 Days** Free Update
-  **800,000+** Satisfied Customers





### QUESTION 1

How do user VPLSs become associated with a management VPLS for redundant spoke-sdp connections?

- A. The association must be defined in the user VPLS service.
- B. The association is done when the user VPLS is associated with the same sdp-id in the management VPLS
- C. The association is based on service IDs.
- D. The association is based on customer IDs.

Correct Answer: B

### QUESTION 2

Click on the exhibit below.

```
ip-filter 40 create
  default-action forward
  entry 20 create
    match
      dst-ip 192.168.1.2/32
    exit
  action forward sdp 100:1
exit
exit
```

The following IP filter has been configured and applied to a SAP in a non-VPLS service. Which of the following statements is true?

- A. An error will be generated and the configuration will not be allowed.
- B. The filter entry will be ignored and traffic matching the criteria will be forwarded
- C. All traffic matching entry 20 will be dropped.
- D. Traffic matching entry 20 will be forwarded to sdp 100:1.

Correct Answer: C

### QUESTION 3

Port 1/1/1 has been configured as an access port with QinQ encapsulation. Which of the following three statements are true for ingress traffic assuming default configuration? (Choose 3)

- A. sap 1/1/1:\*:0 is a valid sap id.



- B. sap 1/1/1:100\* will accept frames with a single tag of 100.
- C. sap 1/1/1:200\* will strip the top tag of 200 and the bottom tag will be transparently passed.
- D. sap 1/1/1:0\* will accept all untagged frames.
- E. sap 1/1/1:0\* will accept any tagged frames.

Correct Answer: BCD

---

#### QUESTION 4

If the command "disable-learning" has been added at the VPLS level, then MAC entries which have already been learned will not be aged.

- A. TRUE
- B. FALSE

Correct Answer: B

---

#### QUESTION 5

How is it possible for multiple services to be carried over the same MPLS LSPs?

- A. Multiple SDPs must be configured and bound to the LSPs for this to be possible.
- B. It is not possible to carry multiple services over the same MPLS LSPs.
- C. A vc-label is signaled per service.
- D. The vc-id is part of the data plane and maps the traffic to the appropriate service.

Correct Answer: A

---

#### QUESTION 6

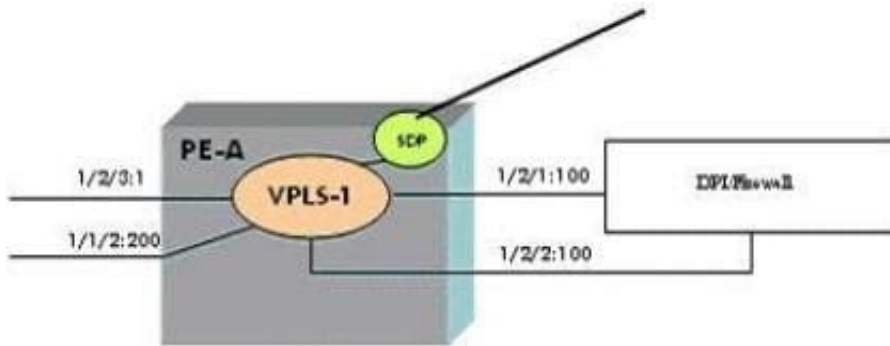
One of the shortcomings of Spanning Tree Protocol (STP) is that it computes a valid, but not necessarily optimal, path between nodes within a network.

- A. TRUE
- B. FALSE

Correct Answer: A

---

#### QUESTION 7



Which of the following features can be enabled to eliminate MAC instability when using policy- based forwarding to redirect traffic to a Layer 2 DPI device?

- A. discard-unknown
- B. mac-move
- C. disable-learning
- D. enable-mac-stability

Correct Answer: C

#### QUESTION 8

Which of the following needs to be considered when designing Ethernet networks with redundancy?

- A. Processing the TTL takes extra time.
- B. MAC learning rate is doubled.
- C. FDB size is doubled.
- D. Requires a protocol to remove loops.

Correct Answer: D

#### QUESTION 9

Which of the following describes the setting of the I-SID on the Alcatel-Lucent 7750 SR?

- A. The I-SID is set to 0 by default and is only used for interop purposes. The receiving PE uses the service label to determine the I-VPLS.
- B. There is no default value. The I-SID must always be explicitly configured
- C. The I-SID is set to the service-id, unless the service-id is larger than a 24 bit value. In this case the ISID must be explicitly configured.
- D. The I-SID is always set to the service-id by default.



Correct Answer: C

### QUESTION 10

Click on the exhibit below.

```
vp1s 1 customer 1
  sap 1/1/1:0

vp1s 2 customer 2
  sap 1/1/1:100

vp1s 3 customer 3
  sap 1/1/1:300
```

The following VPLS services and SAPs have been configured. Which of the following statements is true?

- A. All untagged frames will be dropped.
- B. The source MAC address of a frame with a top tag of 200 and bottom tag of 300 will be populated in VPLS 3.
- C. All frames with more than one tag will be dropped.
- D. The source MAC address of a frame with a single tag of 500 will be populated in VPLS 1.
- E. The source MAC address of a frame with a top tag of 100 will be populated in VPLS 2.

Correct Answer: E

### QUESTION 11

Redundant spoke-SDPs are used between 2 Metro networks for redundancy. How can load balancing be achieved across the redundant spoke-SDPs?

- A. A single management VPLS using RSTP can be used to block different SDPs for different VPLS services.
- B. A single management VPLS using 802.1D-2004 can be used to block different SDPs for different VPLS services
- C. There is no way to have load balancing across redundant spoke-SDPs.
- D. Two management VPLS using RSTP can be used to block different SDPs for different VPLS services.

Correct Answer: D

### QUESTION 12

Multiple VPLS services can be offered over the same set of LSP tunnels?

- A. TRUE



B. FALSE

Correct Answer: A

---

### QUESTION 13

MAC explosion is best described as a large amount of MAC addresses being withdrawn and relearned?

A. TRUE

B. FALSE

Correct Answer: A

---

### QUESTION 14

If a management VPLS is administratively disabled what will be the status of the associated user VPLS SAPs?

A. Regular semantics will apply. It will be as if the SAP doesn't belong to a management VPLS.

B. All user VPLS SAPs will be disabled/pruned.

C. It is not possible to administratively disable a management VPLS.

D. Spanning tree will be automatically enabled on the user VPLS SAPs.

Correct Answer: B

---

### QUESTION 15

Click on the exhibit below.

```
*A:PE1>config>service# info
-----
vpls 1 customer 1 b-vpls create
  service-mtu 9118
  backbone-smac 00:00:00:00:00:07
  stp
    shutdown
  exit
  spoke-sdp 3:1 create
  exit
  no shutdown
exit
```

Based on the service-mtu of this B-VPLS, what is the maximum service-mtu of any connecting I-VPLS attached to this B-



VPLS?

A. 9100 bytes

B. 9104 bytes

C. 9108 bytes

D. 9118 bytes

Correct Answer: A

[Latest 4A0-105 Dumps](#)

[4A0-105 VCE Dumps](#)

[4A0-105 Exam Questions](#)