



# 300-915<sup>Q&As</sup>

Developing Solutions using Cisco IoT and Edge Platforms (DEVIOT)

## Pass Cisco 300-915 Exam with 100% Guarantee

Free Download Real Questions & Answers **PDF** and **VCE** file from:

<https://www.passapply.com/300-915.html>

100% Passing Guarantee  
100% Money Back Assurance

Following Questions and Answers are all new published by Cisco  
Official Exam Center

-  **Instant Download** After Purchase
-  **100% Money Back** Guarantee
-  **365 Days** Free Update
-  **800,000+** Satisfied Customers





### QUESTION 1

When constructing a Python script for data extraction using GMM APIs on a Cisco Kinetic Cloud platform, how should the API authentication be implemented?

- A. Generate the API keys once and edit the permissions as needed.
- B. Generate and use the API keys for the required access level from the Kinetic Cloud application.
- C. Use a complex username and password with 128-bit encryption.
- D. Use a complex username with an auto-generated password from the Kinetic Cloud application.

Correct Answer: B

---

### QUESTION 2

After an application is deployed, potential issues arise around connectivity. As part of the troubleshooting process, the IP address must be determined to ensure end-to-end communication.

Which method provides the required details using the Cisco IOx CLI?

- A. `ioxclient application status`
- B. `ioxclient application metrics`
- C. `ioxclient application getconfig`
- D. `ioxclient application info`

Correct Answer: D

---

### QUESTION 3

DRAG DROP

An engineering team developed a solution that gathers data via a proprietary protocol (TCP/IP based) to a IR1101 gateway, which then sends the data to the cloud. Drag and drop the action steps from the left into the correct order on the right to get this solution to operate. Not all options are used.

Select and Place:



- The sensor is sending data to the cloud.
- The sensor and IR1101 is locally installed (power, network connectivity).
- The edge application is being installed on the IR1101.
- The streaming payload is visible in Kinetic GMM dashboard.
- A device twin is automatically created in the cloud.
- IR1101 is claimed via API on Kinetic GMM.

- 
- 
- 
- 
- 

Correct Answer:

- The sensor is sending data to the cloud.
- 
- 
- 
- 
- 

- The sensor and IR1101 is locally installed (power, network connectivity).
- The edge application is being installed on the IR1101.
- The streaming payload is visible in Kinetic GMM dashboard.
- A device twin is automatically created in the cloud.
- IR1101 is claimed via API on Kinetic GMM.

QUESTION 4



```
FROM devhub-docker.cisco.com/iox-docker/ir800/base-rootfs as builder
RUN opkg update
RUN opkg install iox-toolchain
RUN mkdir -p /var/helloworld/
COPY helloworld.c /var/helloworld/
WORKDIR /var/helloworld/
RUN gcc helloworld.c -o helloworld

FROM devhub-docker.cisco.com/iox-docker/ir800/base-rootfs
RUN mkdir -p /var/helloworld/
COPY --from=builder /var/helloworld/helloworld /var/helloworld
RUN chmod +x /var/helloworld/helloworld
COPY init_app.sh /etc/init.d/
RUN chmod +x /etc/init.d/init_app.sh
RUN update-rc.d init_app.sh defaults
```

Refer to the exhibit. When a Docker image is built using this Dockerfile, which two statements are valid on Cisco IOx 1.8 and before? (Choose two.)

- A. It builds an image that can be executed on all Cisco platforms.
- B. It builds a Docker image that cannot be used directly on Cisco IOx.
- C. It compiles a "hello world" program in C.
- D. It creates two separate images.
- E. It builds an IOx package that can be deployed directly.

Correct Answer: BC

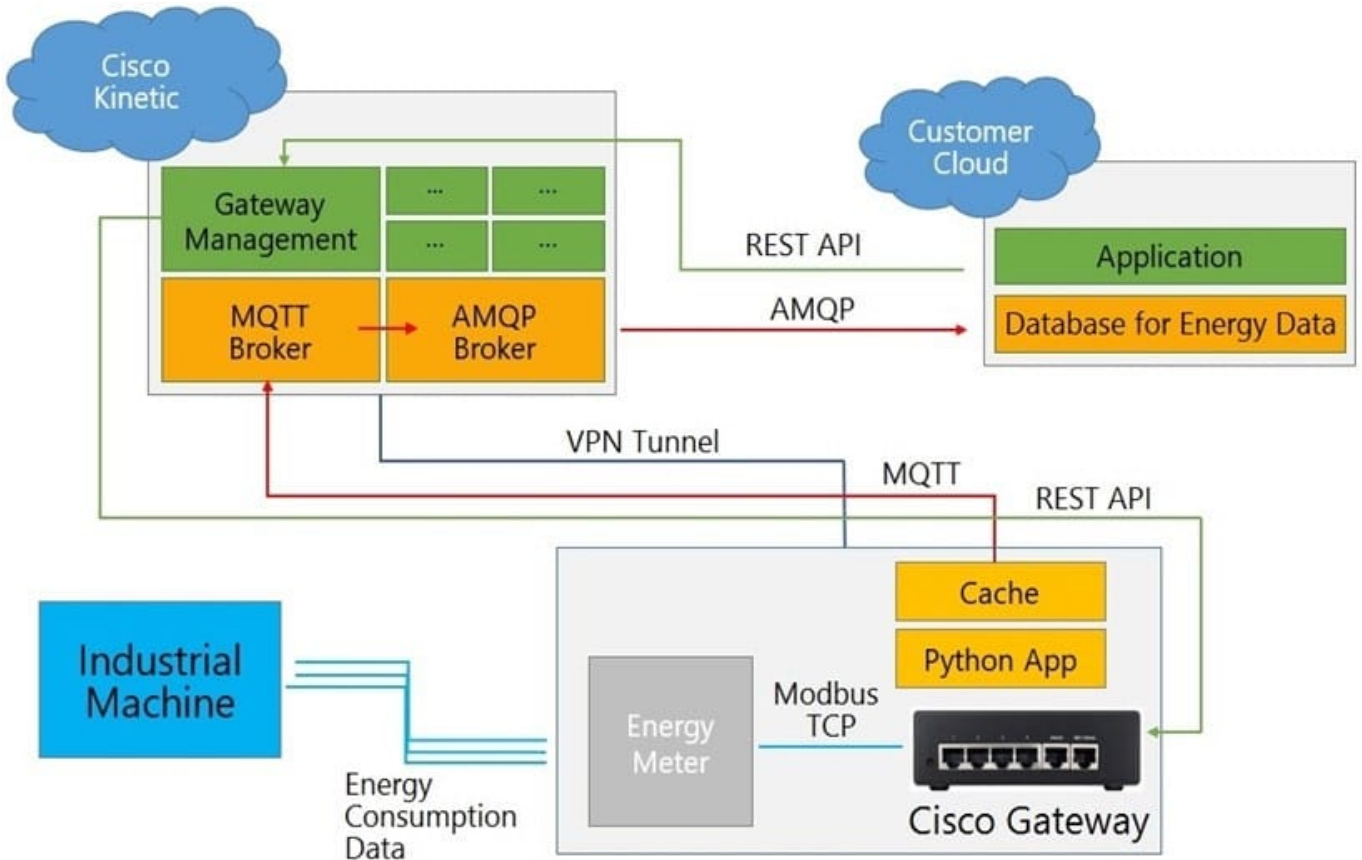
#### QUESTION 5

Which lightweight protocol is used to send data from the edge compute resources to the cloud?

- A. MQTT
- B. XMPP
- C. AMQP
- D. MT Connect

Correct Answer: A

#### QUESTION 6



Refer to the exhibit. Which two statements about data flow are true? (Choose two.)

- A. Another AMQP broker should be implemented on the customer cloud.
- B. Instead of AMQP, MQTT should be used for compatibility issues in a cloud-to-cloud connection.
- C. A VPN tunnel is not necessary because the MQTT payload is encrypted by default.
- D. The gateway must stay constantly connected to the Kinetic cloud to avoid blank data sets, even when using caching functions.
- E. The Python application could use the paho-mqtt library.

Correct Answer: BE

### QUESTION 7

Which statement explains the correct position of a PLC within the CPwE architecture?

- A. PLCs are always part of Level 0 ?process control.
- B. PLCs are part of Level 4 ?site business planning.
- C. PLCs are part of Level 1 ?basic control.
- D. PLCs are placed at Level 2 ?area supervisory control.



Correct Answer: C

### QUESTION 8

```
descriptor-schema-version: "2.4"

info:
  name: hello world
  description: "Hello world lxc type application"
  version: "1.0"
  author-link: "http://www.cisco.com"
  author-name: "Cisco Systems"

app:
  type: 
  cpuarch: x86_64
  resources:
    profile: custom
    cpu: 200
    memory: 64
    disk: 2

    network:
      -
        interface-name: eth0
# Specify runtime and startup
startup:
  rootfs: rootfs.tar
  target: "/var/helloworld/helloworld"
```

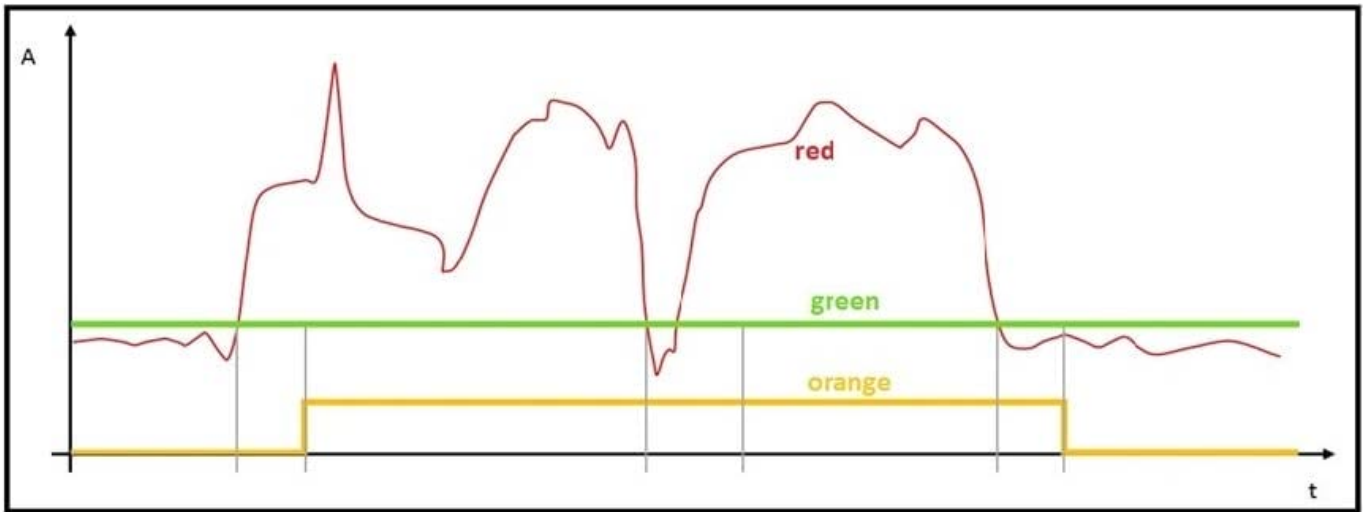
Refer to the exhibit. While troubleshooting an error on an application descriptor for a Docker app in Cisco IOx (package.yaml), the app type appears to be missing. Which app type must be added to the snippet to resolve the issue?

- A. paas
- B. docker-vm
- C. docker
- D. docker-app

Correct Answer: C



QUESTION 9



Refer to the exhibit. The graph has been provided by the monitoring team to the IoT Engineer. The red line represents the consumption of energy from an industrial machine.

Which two pieces of information can be captured? (Choose two.)

- A. The green graph visualizes the mean value of the data points.
- B. The green graph visualizes if the electronic device is not in stand-by mode.
- C. The orange graph visualizes a boolean: power on/off.
- D. The orange graph contains more information than the red graph.

Correct Answer: AC

QUESTION 10

DRAG DROP

Drag and drop the Dockerfile instructions from the left onto the correct arguments on the right.

Select and Place:

- EXPOSE
- ADD
- WORKDIR
- RUN
- FROM

- alpine
- apk update
- /opt/cisco
- start.sh .
- 8000



Correct Answer:

|  |
|--|
|  |
|  |
|  |
|  |
|  |

- FROM
- ADD
- WORKDIR
- RUN
- EXPOSE

[Latest 300-915 Dumps](#)

[300-915 Practice Test](#)

[300-915 Braindumps](#)