



# 300-115<sup>Q&As</sup>

Implementing Cisco IP Switched Networks

**Pass Cisco 300-115 Exam with 100% Guarantee**

Free Download Real Questions & Answers **PDF** and **VCE** file from:

<https://www.passapply.com/300-115.html>

100% Passing Guarantee  
100% Money Back Assurance

Following Questions and Answers are all new published by Cisco  
Official Exam Center

-  **Instant Download** After Purchase
-  **100% Money Back** Guarantee
-  **365 Days** Free Update
-  **800,000+** Satisfied Customers





**QUESTION 1**

Drag and Drop the GLBP components from the left onto the correct functions on the right.

Select and Place:

Drag and drop the GLBP components from the left onto the correct functions on the right.

ARP	method of learning the MAC address of a network device
AVF	value that determines the role of the router in a GLBP environment
AVG	assigns virtual MAC addresses
gateway priority	forwards packets sent to an assigned virtual MAC address

Correct Answer:

Drag and drop the GLBP components from the left onto the correct functions on the right.

	ARP
	gateway priority
	AVG
	AVF

**QUESTION 2**

While doing network discovery using Cisco Discovery Protocol, it is found that rapid error tracking is not currently enabled. Which option must be enabled to allow for enhanced reporting mechanisms using Cisco Discovery Protocol?

- A. Cisco Discovery Protocol version 2
- B. Cisco IOS Embedded Event Manager



- C. logging buffered
- D. Cisco Discovery Protocol source interface
- E. Cisco Discovery Protocol logging options

Correct Answer: A

CDP Version 1 -- This is the first version of CDP which was used for the discovery of Cisco devices in the network. This version is mainly used for backward compatibility.

CDP Version 2 -- This is the most recent version of CDP which has enhanced features such as rapid reporting mechanism, which is used to track down errors and minimize costly downtime. It allows you to track instances even if the native

VLAN ID or port duplex states do not match between connecting devices.

This is the default version on all switches.

Reference: [http://sbkb.cisco.com/CiscoSB/GetArticle.aspx?docid=0ed03cbac49b446ab390a657917d817c\\_Cisco\\_Discovery\\_Protocol\\_CDP\\_\\_Properties\\_Settings\\_on\\_Sx500\\_S.xml&pid=2&converted=0](http://sbkb.cisco.com/CiscoSB/GetArticle.aspx?docid=0ed03cbac49b446ab390a657917d817c_Cisco_Discovery_Protocol_CDP__Properties_Settings_on_Sx500_S.xml&pid=2&converted=0)

---

### QUESTION 3

You administer a network that uses two routers, R1 and R2, configured as an HSRP group to provide redundancy for the gateway. Router R1 is the active router and has been configured as follows: R1#configure terminal  
R1(config)#interface fa0/0 R1(config-if)#ip address 10.10.0.5 255.255.255.0 R1(config-if)#standby 1 priority 150  
R1(config-if)#standby preempt delay minimum 50 R1(config-if)#standby 1 track interface fa0/2 15 R1(config-if)#standby 1 ip 10.10.0.20 Which of the following describes the effect the "standby preempt delay minimum 50" command will have on router R1? (Select the best answer.)

- A. The HSRP priority for router R1 will increase to 200.
- B. Router R1 will become the standby router if the priority drops below 50.
- C. The HSRP priority for router R1 will decrease to 50 points when Fa0/2 goes down.
- D. Router R1 will wait 50 seconds before attempting to preempt the active router.

Correct Answer: D

---

### QUESTION 4

Which feature do you implement so that a physical port enters the loop inconsistent state if it fails to receive BPDUs?

- A. loop guard
- B. loop disable
- C. root guard
- D. flex links



E. BPDU ignore

F. loop block

Correct Answer: A

### QUESTION 5

Which three features can be optimized by using SDM templates?

A. port security

B. trunk

C. VLAN

D. access

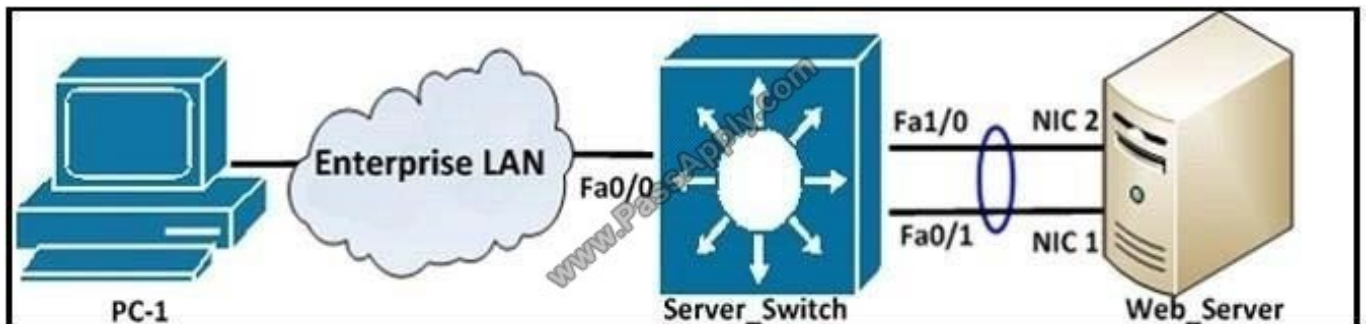
E. DHCP snooping

F. routing

Correct Answer: CDF

### QUESTION 6

Refer to the exhibit.



Users of PC-1 experience slow connection when a webpage is requested from the server. To increase bandwidth, the network engineer configured an EtherChannel on interfaces Fa1/0 and Fa0/1 of the server farm switch, as shown here:

```
Server_Switch#sh etherchannel load-balance
```

EtherChannel Load-Balancing Operational State (src-mac):

Non-IP: Source MAC address

IPv4: Source MAC address



IPv6: Source IP address

Server\_Switch#

However, traffic is still slow. Which action can the engineer take to resolve this issue?

- A. Disable EtherChannel load balancing.
- B. Upgrade the switch IOS to IP services image.
- C. Change the load-balance method to dst-mac.
- D. Contact Cisco TAC to report a bug on the switch.

Correct Answer: C

Since this traffic is coming from PC-1, the source MAC address will always be that of PC-1, and since the load balancing method is source MAC, traffic will only be using one of the port channel links. The load balancing method should be changed to destination MAC, since the web server has two NICs traffic will be load balanced across both MAC addresses. <https://www.CertBus.com/300-115.html>

---

#### QUESTION 7

Which command sequence do you enter to configure an RSPAN VLAN?

- A. vlan 4097 remote-span
- B. vlan 4097 name RSPAN
- C. vlan 51 remote-span
- D. vlan 51 name rspan

Correct Answer: C

OR Which command sequence do you enter to configure an RSPAN VLAN? Choose two)

1.

vlan 51

2.

remote-span

---

#### QUESTION 8

Why the network administration can want to to disable MAC address learning on the router?

- A. To free up space in MAC address table.
- B. To use space in MAC address table



- C. To wipe space in MAC address table.
- D. There was a security violation.

Correct Answer: A

---

#### QUESTION 9

What is the maximum number of switches that can be stacked using Cisco StackWise?

- A. 4
- B. 5
- C. 8
- D. 9
- E. 10
- F. 13

Correct Answer: D

Up to 9 Cisco Catalyst switches can be stacked together to build single logical StackWise switch since Cisco IOS XE Release 3.3.0SE. Prior to Cisco IOS XE Release 3.3.0SE, up to 4 Cisco Catalyst switches could be stacked together. Reference: [http://www.cisco.com/c/en/us/products/collateral/switches/catalyst-3850-series-switches/qa\\_c67-722110.html](http://www.cisco.com/c/en/us/products/collateral/switches/catalyst-3850-series-switches/qa_c67-722110.html)

---

#### QUESTION 10

What action should a network admin take to enable VTP pruning on an entire management domain?

- A. Enable VTP pruning on any client switch in the domain.
- B. Enable VTP pruning on every switch in the domain.
- C. Enable VTP pruning on any switch in the management domain
- D. Enable VTP pruning on a VTP server in the management domain.

Correct Answer: D

---

#### QUESTION 11

A question about GLBP

- A. uses UDP port 3222
- B. www.certbus.com



C. www.certbus.com

D. www.certbus.com

Correct Answer: A

### QUESTION 12

Select and Place:

	<b>HSRP Version 1</b>
<b>RSPAN was Layer3 (L3) traffic to carry the traffic</b>	
<b>Supports only VTP</b>	
<b>The source can only be an access prot</b>	
<b>Range 1 - 2045 is allowed</b>	
<b>Only supports STP</b>	<b>HSRP Version 2</b>
<b>Source can only be trunk</b>	
<b>Range 1 - 1005 is allowed</b>	

Correct Answer:



	<b>HSRP Version 1</b>
	<b>Only supports STP</b>
	<b>Range 1 - 1005 is allowed</b>
	<b>Source can only be trunk</b>
	<b>Supports only VTP</b>
	<b>HSRP Version 2</b>
	<b>Range 1 - 2045 is allowed</b>
	<b>RSPAN was Layer3 (L3) traffic to carry the traffic</b>
	<b>The source can only be an access prot</b>

[300-115 VCE Dumps](#)

[300-115 Practice Test](#)

[300-115 Exam Questions](#)





To Read the [Whole Q&As](#), please purchase the [Complete Version](#) from [Our website](#).

## Try our product !

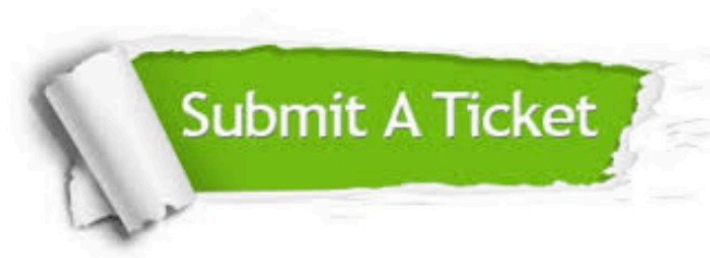
100% Guaranteed Success  
100% Money Back Guarantee  
365 Days Free Update  
Instant Download After Purchase  
24x7 Customer Support  
Average 99.9% Success Rate  
More than 800,000 Satisfied Customers Worldwide  
Multi-Platform capabilities - [Windows](#), [Mac](#), [Android](#), [iPhone](#), [iPod](#), [iPad](#), [Kindle](#)

We provide exam PDF and VCE of Cisco, Microsoft, IBM, CompTIA, Oracle and other IT Certifications. You can view Vendor list of All Certification Exams offered:

<https://www.passapply.com/allproducts>

## Need Help

Please provide as much detail as possible so we can best assist you.  
To update a previously submitted ticket:



 <p><b>One Year Free Update</b> Free update is available within One Year after your purchase. After One Year, you will get 50% discounts for updating. And we are proud to boast a 24/7 efficient Customer Support system via Email.</p>	 <p><b>Money Back Guarantee</b> To ensure that you are spending on quality products, we provide 100% money back guarantee for 30 days from the date of purchase.</p>	 <p><b>Security &amp; Privacy</b> We respect customer privacy. We use McAfee's security service to provide you with utmost security for your personal information &amp; peace of mind.</p>
---	---	--

Any charges made through this site will appear as Global Simulators Limited.  
All trademarks are the property of their respective owners.  
Copyright © passapply, All Rights Reserved.