



1Y0-402^{Q&As}

Citrix XenApp and XenDesktop 7.15 Assessment, Design and Advanced Configurations

Pass Citrix 1Y0-402 Exam with 100% Guarantee

Free Download Real Questions & Answers **PDF** and **VCE** file from:

<https://www.passapply.com/1y0-402.html>

100% Passing Guarantee
100% Money Back Assurance

Following Questions and Answers are all new published by Citrix Official Exam Center

-  **Instant Download** After Purchase
-  **100% Money Back** Guarantee
-  **365 Days** Free Update
-  **800,000+** Satisfied Customers





QUESTION 1

Scenario: A Citrix Architect needs to design a new XenApp and XenDesktop environment.

The architect has identified the access requirements listed in the Exhibit.

Click the Exhibit button to view the requirements.

User Groups	Endpoint	Authentication	Receiver Type	Deploy Receiver Client	Resource Filtering	External Access Required
Accountants	Corporate-owned	Smart Card	Receiver 4.10	Yes	No	No
Executives	BYOD	Username & Password	HTML5	Yes	No	Yes
Graphic Designers	Mac BYOD	Username & Password	MAC Receiver 4.10	Yes	No	No
Customer Service	Corporate-owned	Anonymous Access	Receiver 4.10	Yes	No	Yes

A single store has already been configured with the following settings, every other setting has been kept as a default.

Username/Password authentication No resource filtering NetScaler Gateway is configured for authentication No IIS redirection Deploy Receiver 4.10 installer

The architect needs to evaluate whether the current store, which cannot be changed, meets the requirements of the user groups and needs to determine how many additional stores are required.

How many additional StoreFront stores does the architect need to support the requirements shown in the Exhibit?

- A. 1
- B. 4
- C. 3
- D. 5
- E. 2

Correct Answer: D

QUESTION 2

Scenario: A Citrix Architect is designing a new, 2,000-user XenApp and XenDesktop environment. The environment will use Windows Server 2016 for all Site infrastructure components (Delivery Controllers, StoreFront servers, Citrix Director). Machine Creation Services (MCS) will be used to provision Virtual Delivery Agent (VDA) machines.



The environment will include two primary use cases:

Windows Server 2016 VDA machines providing hosted apps
Windows 10 VDA machines providing random, non-persistent VDI

The IT team has NOT yet purchased the hardware that will be used for the environment and will build the Hardware Layer components for the environment based on the architect's recommendations.

How should the architect design the hypervisor resource pools based on Citrix leading practice?

- A. Windows Server 2016 machines should be placed in one resource pool, and all Windows 10 machines should be placed in a second resource pool.
- B. The infrastructure servers and all VDA machines should be located in one resource pool.
- C. Windows Server 2016 VDA machines should be placed in one resource pool, Windows 10 machines should be placed in a second resource pool, and the infrastructure servers should be placed in a third resource pool.
- D. The infrastructure servers should be placed in one resource pool, and the VDA machines should be placed in a second resource pool.

Correct Answer: B

QUESTION 3

Scenario: A Citrix Architect needs to manage the disaster recovery process for a XenApp and XenDesktop environment. The environment currently consists of an active datacenter which is typically accessed by users and a disaster recovery (DR) datacenter which would be used in the event that a disaster impacts the primary datacenter. The organization has made it a priority to minimize the loss of data when failing over between datacenters and has begun planning for an event in which the environment must fail over from the primary datacenter to the DR datacenter.

What is the appropriate sequence of steps that the architect should follow after getting management approval to complete the process in case of such an event?

- A. Block access to primary datacenter, complete replication, terminate/drain existing sessions, reverse direction of replication, enable access in DR datacenter
- B. Block access to primary datacenter, terminate/drain existing sessions, complete replication, reverse direction of replication, enable access in DR datacenter
- C. Terminate/drain existing sessions, complete replication, block access to primary datacenter, enable access in DR datacenter, reverse direction of replication
- D. Complete replication, terminate/drain existing sessions, block access to primary datacenter, reverse direction of replication, enable access in DR datacenter
- E. Complete replication; block access to primary datacenter, terminate/drain existing sessions, enable access in DR datacenter, reverse direction of replication
- F. Terminate/drain existing sessions; block access to primary datacenter, complete replication, reverse direction of replication, enable access in DR datacenter

Correct Answer: D



QUESTION 4

What are three considerations for using thin clones with Machine Creation Services? (Choose three.)

- A. Higher storage space requirements than full clones
- B. Relatively difficult to backup or restore compared to full clones
- C. Slower provisioning speed compared to full clones
- D. Slower performance than full clones
- E. High storage impact during a boot storm

Correct Answer: E

QUESTION 5

A Citrix Architect needs to conduct a capabilities assessment for an organization that wants to design and build a new XenApp and XenDesktop environment.

Which three capabilities will directly influence whether the existing Citrix administrative team will have the capacity to support the new environment? (Choose three.)

- A. Certificate Authority configuration
- B. Current backup solutions
- C. Users and applications
- D. Image management processes
- E. Training and certifications of support staff and users
- F. DNS infrastructure
- G. Image management processes

Correct Answer: CDF

QUESTION 6

Scenario: A Citrix Architect needs to create a conceptual architecture for a XenApp and XenDesktop environment, on behalf of a retail chain. Based on some initial discussions around the organization's business goals and objectives, the architect has collected the information as shown in the Exhibit.

Click the Exhibit button to view the information.



Requirement	Detail
Number of users	10,000
Datacenters	One on-premises datacenter
Available hardware	Several additional racks of blade servers available as part of an expansion project
Administrative Team	Team of 10 experienced Citrix engineers and administrators
Level of control desired	High level of control
Additional considerations	Minimize the failure domain of the environment

Which delivery model should the architect recommend?

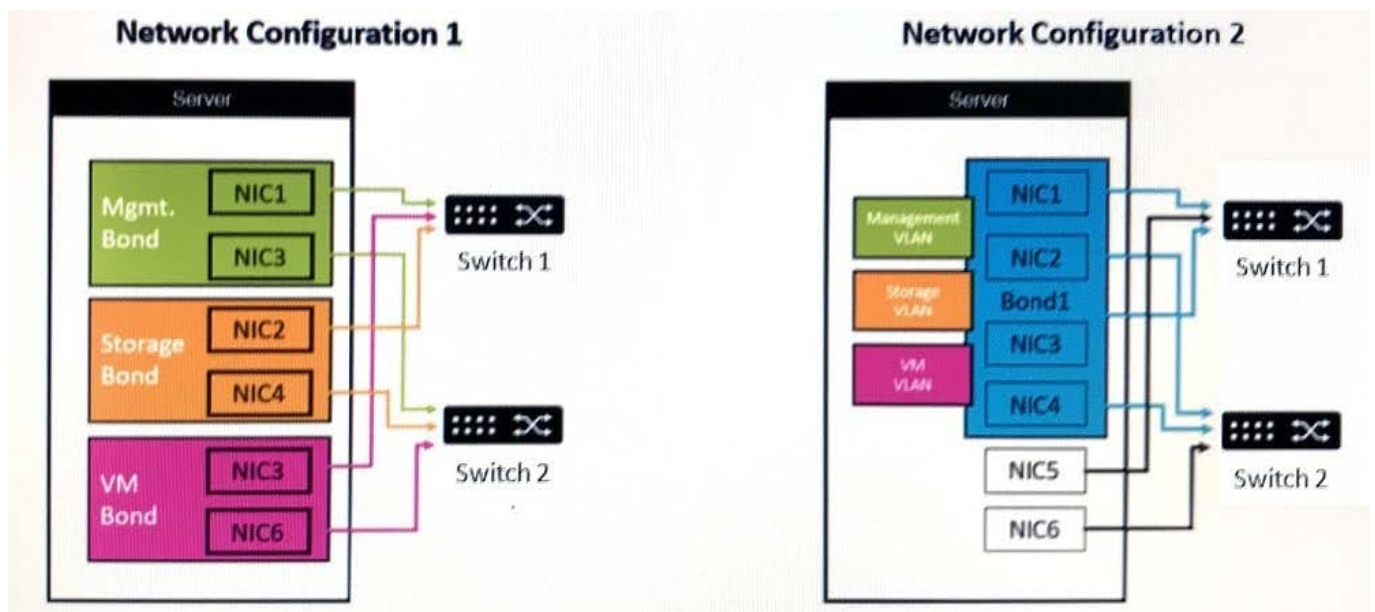
- A. Multi-Site, single on-premises datacenter
- B. Single-Site, single-zone, single on-premises datacenter
- C. Single-Site in Citrix Cloud, single public cloud resource location
- D. Multi-Site, multiple public cloud resource locations
- E. Single-Site in Citrix Cloud, single on-premises resource location

Correct Answer: E

QUESTION 7

Scenario: A Citrix Architect is performing a XenApp and XenDesktop design. During a discussion with the server hardware team, two potential network configurations are proposed for the XenServer hosts.

Click the Exhibit button to view the network configurations.



Which statement will support a decision to use Network Configuration 1?



- A. It will ensure that virtual machine workloads do NOT interfere with each other.
- B. It will provide greater security for all traffic types.
- C. It will achieve a higher level of redundancy for the different traffic types.
- D. It will reserve more bandwidth for virtual machine traffic.

Correct Answer: C

QUESTION 8

A Citrix Architect is designing a new XenApp and XenDesktop environment. The IT team would like to deploy Windows 10 persistent VDI and Windows Server 2016 non-persistent hosted shared desktops.

The IT team has used physical servers in the past to host the IT infrastructure but would like to move to a hypervisor solution for the new environment. At the same time, the hardware and storage costs for the new deployment should be minimized where possible.

The IT team has requested there are no company-wide outages during hardware updates and maintenance.

The architect should recommend that failover clusters and live migration be used for _____ and that these resource clusters should use _____ storage. (Choose the correct option to complete the sentence.)

- A. Citrix infrastructure only; SAN
- B. Citrix infrastructure only; local
- C. all XenApp and XenDesktop components; SAN
- D. all XenApp and XenDesktop components; local
- E. Citrix infrastructure and dedicated desktops only; local

Correct Answer: B

QUESTION 9

Scenario: While assessing User Layer, a Citrix Architect finds that most of the internal users connect using corporate-owned laptops, desktop devices, and thin clients. Many of these laptops and desktop devices are running Windows 10, while the remainder of the machines are running Windows 7 and are in the process of being migrated to Windows 10. Some users also connect using personal devices.

Currently, Citrix Receiver is manually installed on any endpoint device added to the company. All these devices use Citrix Receiver version 4.8 and above. The IT team is planning to automate a process to update all the devices with the latest version of Citrix Receiver and to automate another process for automatic installation of Citrix Receiver without incurring extra costs and maintenance.

The architect needs to identify which type of Citrix Receiver to recommend for 25 task workers in a remote location where installation of Citrix Receiver is NOT possible. The workers do NOT require any device mappings.

Which type of Citrix Receiver should the architect recommend?



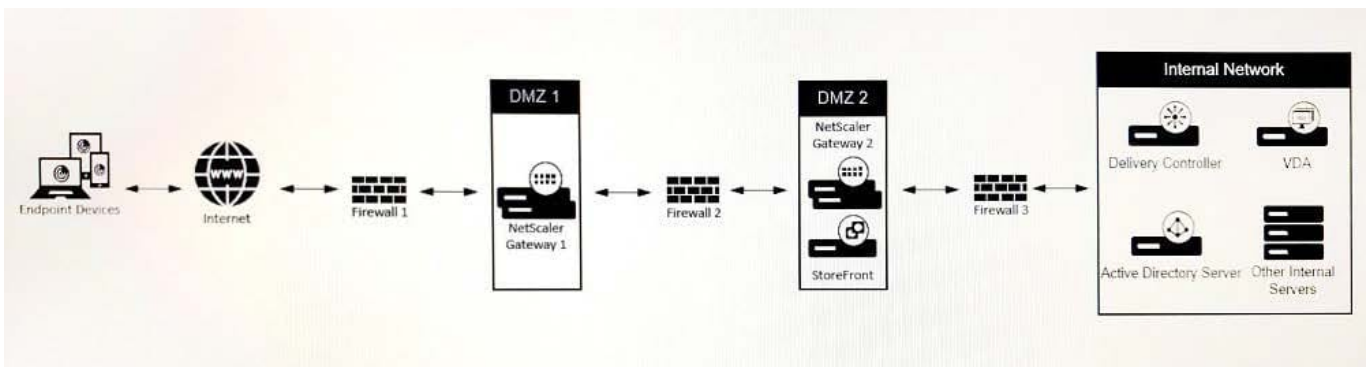
- A. Native receiver
- B. Receiver for Web
- C. Receiver for Chrome
- D. HTML 5

Correct Answer: B

QUESTION 10

Scenario: A Citrix Architect wants to set up double-hop access for an existing XenApp and XenDesktop Site. All communication across DMZ 1, DMZ 2, and the Internal Network is encrypted over port 443. The architect has proposed the design shown in the Exhibit, where DMZ 1 has NetScaler Gateway 1 and DMZ 2 has NetScaler Gateway 2 and StoreFront.

Click the Exhibit button to view the design.



Which two sets of ports should the architect request to enable on Firewall 2?

- A. Port 443 outbound and Port 1494/2598 inbound
- B. Port 443 outbound and Port 80 inbound
- C. Port 443 outbound and Port 443 inbound
- D. Port 443 outbound and Port 389/636 inbound

Correct Answer: D

QUESTION 11

Which user-segmentations actions should the consultant pursue?

- A. Analyze existing data, confirm user groups, and discover user requirements.
- B. Analyze existing data, confirm user groups, and confirm user requirements.
- C. Collect user data, confirm user groups, and confirm user requirements.
- D. Collect user data, define user groups, and confirm user requirements.



Correct Answer: D

QUESTION 12

Scenario: IT management has decided which server hardware model to use for new XenApp and XenDesktop Sites and needs guidance on sizing the Hardware Layer.

Click the Exhibit to view the host details.

Host Details	
Host Model	UCS B200 M4
Sockets	2
Cores per Socket	8
RAM	320 GB
Hyper Threading	Enabled
Storage	SAN storage

A Citrix Architect is planning to install XenServer 7.x on this host. How many vCPUs will be available to the XenServer host?

- A. 8
- B. 24
- C. 32
- D. 16

Correct Answer: D

QUESTION 13

Scenario: A Citrix Architect is designing an environment for a large company. The company has identified the following user groups and requirements.

Product Managers - Typically, they work from inside the company network but are able to work from home.

They need to use a variety of standard productivity and web-based SaaS applications.

Field Sales Engineers - They frequently work with mobile devices and tend to access the environment externally. They need access to sales tools and the front-end of the customer database.

Web Developers - Internal and remote workers who use specialized hardware with a graphics card to handle resource-intensive applications.



Which FlexCast model should the architect assign to Web Developers?

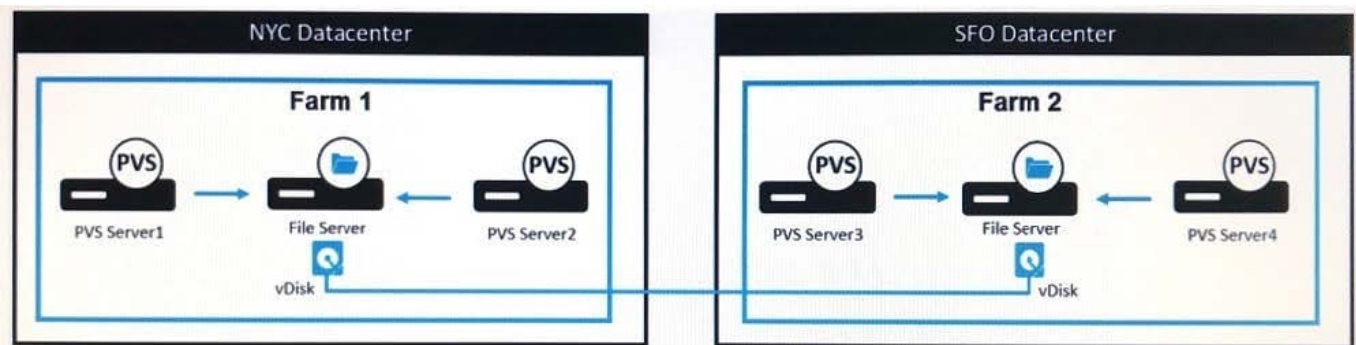
- A. VM Hosted Applications
- B. Published Apps
- C. Published Desktops
- D. Hosted VDI

Correct Answer: B

QUESTION 14

Scenario: A Citrix Architect needs to design a multi-datacenter XenApp and XenDesktop environment that will use Provisioning Services (PVS) to manage Virtual Delivery Agent (VDA) machine images. Each datacenter will have a separate Provisioning Services farm. During the design discussions, the architect creates a diagram to depict the way vDisk files will be replicated between PVS farms, based on the available storage for the vDisk Stores.

Click the Exhibit button to view the diagram.



Overall, the customer has identified the following objectives for the image replication process:

Minimize the administrative time required to replicate images between farms
Must be usable by PVS farm administrators based on native tools
Minimize network traffic between datacenters

Which method should the architect use to replicate the vDisk files between datacenters?

- A. SAN replication
- B. Scheduled robocopy commands
- C. Microsoft DFS-R
- D. vDisk Replicator Tool
- E. Manual copy

Correct Answer: D

QUESTION 15



Scenario: While assessing the User Layer, a Citrix Architect finds that most of the internal users connect using corporate-owned laptops, desktop devices, and thin clients. Many of these laptops and desktop devices are running Windows 10, while the remainder of the machines are running Windows 7 and are in the process of being migrated to Windows 10. Some users also connect using personal devices which have Receiver Desktop Lock installed.

Currently, Citrix Receiver is manually installed on any endpoint device added to the company. All these devices use Citrix Receiver version 4.8 and above. The IT team is planning to automate a process to update all the devices with the latest version of Citrix Receiver and to automate another process for automatic installation of Citrix Receiver without incurring extra costs and maintenance.

During the initial testing of the Citrix Receiver Auto-Update feature, the architect observed that the Citrix Receiver Auto-Update feature does NOT work on some of the machines.

Which two reasons could be causing this issue? (Choose two.)

- A. Citrix Receiver Auto-Update is disabled on machines where Receiver Desktop Lock is installed.
- B. The Citrix receiver Auto-Update feature needs to be configured before Receiver Desktop Lock is configured.
- C. The user does NOT have local administrative permission on the endpoint device.
- D. The local Advanced Preferences within Citrix Receiver were incorrectly configured.

Correct Answer: AD

[Latest 1Y0-402 Dumps](#)

[1Y0-402 Study Guide](#)

[1Y0-402 Exam Questions](#)