



050-696^{Q&As}

Foundations of Novell Open Enterprise Server NetWare

Pass Novell 050-696 Exam with 100% Guarantee

Free Download Real Questions & Answers **PDF** and **VCE** file from:

<https://www.passapply.com/050-696.html>

100% Passing Guarantee
100% Money Back Assurance

Following Questions and Answers are all new published by Novell
Official Exam Center

-  **Instant Download** After Purchase
-  **100% Money Back** Guarantee
-  **365 Days** Free Update
-  **800,000+** Satisfied Customers





QUESTION 1

You need to access iManager on an OES NetWare server that has been assigned an IP address of 10.200.200.3. Which URL should you use?

- A. <https://10.200.200.3:8009>
- B. <http://10.200.200.3:8008/nds>
- C. <https://10.200.200.3/nps/iManager.html>
- D. <http://10.200.200.3:8008/nps/iManager.html>
- E. <https://10.200.200.3:8009/nps/iManager.html>

Correct Answer: C

QUESTION 2

You want your users' iFolder client to wait 120 seconds after a synchronization occurs before it checks the iFolder server to determine if there are any changed files need to be automatically downloaded. Click on the iFolder Management Console option you would use to configure this.

Correct Answer: Sync From Server Interval

QUESTION 3

When installing OES NetWare, what is the minimum size for the server's DOS partition?

- A. 50 MB
- B. 100 MB
- C. 200 MB
- D. 300 MB
- E. 500 MB
- F. 750 MB

Correct Answer: E



QUESTION 4

User NWadsworth has the ability to change passwords for users in the CORP.SLC.DA container in the DA-TREE. What should you check to identify where these rights are coming from? (Choose 3.)

- A. Rights granted to Public.
- B. Group objects NWadsworth is a member of.
- C. Alias objects associated with NWadsworth.
- D. Template objects associated with NWadsworth.
- E. Locality objects associated with NWadsworth.
- F. Objects that NWadsworth may be security equivalent to.

Correct Answer: ABF

QUESTION 5

Which eDirectory object right, when granted to the server object in the tree, will automatically grant a user all file system rights to each volume on the server?

- A. Browse
- B. Create
- C. Delete
- D. Rename
- E. Supervisor
- F. Inheritable

Correct Answer: E

QUESTION 6

Which firewall technology translates private IP addresses into registered IP addresses, reducing the total number of registered IP addresses required on your network?

- A. Application Proxy
- B. Virtual Private Network
- C. Packet-Filtering Firewall



D. Network Address Translation

Correct Answer: D

QUESTION 7

You've been assigned to implement iFolder throughout your company. You've installed a new OES NetWare server, named DA28, in your eDirectory tree to provide iFolder services. The IP address of DA28 is 192.168.1.28. During the server install, you selected the iFolder patterned deployment. You now need to configure iFolder on the server. Which URL should you use to access the iFolder Management Console?

- A. <https://192.168.1.28:8009/iFolder>
- B. <https://192.168.1.28/iFolderAdmin>
- C. <https://192.168.1.28/iFolder/Admin>
- D. <https://192.168.1.28:443/iFolder/Admin>
- E. <https://192.168.1.28/iFolderServer/Admin>
- F. <https://192.168.1.28:8009/iFolderServer/Admin>
- G. <https://192.168.1.28/nps/iManager/iFolderAdmin>

Correct Answer: E

QUESTION 8

You are planning the network file system for your OES NetWare server. You want to create two NSS volumes on your server:

SYS for operating system files

DATA for user files Your server has two 100 GB SCSI hard disk drives. You want the SYS volume to be 8 GB in size and DATA to be about 190 GB in size.

Will this design work?

- A. Yes, all NSS requirements have been met.
- B. No, NSS doesn't support SCSI hard disk drives.
- C. No, the SYS volume must be at least 10 GB in size.
- D. No, you can't create multiple volumes on the same server.
- E. No, you can't span an NSS volume across multiple hard disk drives.



Correct Answer: A

QUESTION 9

Click the tab in the Novell Client that you can use to specify the login sequence used to authenticate to the network.

Hot Area:

Item 31 of 66

Time Remaining: 1:07:55

Point and Click

Click the Point and Click button to begin.

Click the tab in the Novell Client that you can use to specify the login sequence used to authenticate to the network.

Point and Click
Novell Login v4. 90.0.0

Novell Client™ for Windows®

User Name: rhugie

Password:

Workstation only

NDS | Script | Windows | Dial-up | NMAS

Tree: DA-TREE Trees

Context: SLC.DA Contexts

Server: DA1 Servers

OK Cancel Shutdown... Advanced <<

Click Next (or More) to continue.

Next Help

Correct Answer:



Item 31 of 66 Time Remaining: 1:07:55

Point and Click

Click the Point and Click button to begin.

Click the tab in the Novell Client that you can use to specify the login sequence used to authenticate to the network.

Point and Click

Novell Login v4.90.0.0

Novell Client™ for Windows® **N** **Novell.**

User Name:
Password:

Workstation only

NDS | Script | Windows | Dial-up | **NMAS**

Tree:
Context:
Server:

Click Next (or More) to continue.

QUESTION 10

You've just upgraded the 100 Mbps Ethernet network board in your OES NetWare server to a Gigabit Ethernet network interface. The manufacturer included a floppy diskette with a LAN driver named NTI1000.LAN with the board. Assuming that the server's floppy drive is assigned drive letter A, which command will load this driver from the diskette?

- A. NTI1000.LAN
- B. LOAD NTI1000.LAN
- C. LOAD A:\NTI1000.LAN
- D. \MNT\FLOPPY\NTI1000.LAN

Correct Answer: C

QUESTION 11



Your company specializes in non-linear video production. Raw digital footage is stored on the DATA volume of your NetWare server. You have configured near-line storage on your server. All volumes on your server have migration enabled on them; allowing infrequently-used files to be migrated from the server volumes to the near-line media until they are needed again. However, the raw footage files on DATA are much too large for the near-line storage device. Which file attribute can you apply to these files to keep them from being migrated?

- A. A
- B. P
- C. Dc
- D. Di
- E. Dm
- F. Ds
- G. Ic

Correct Answer: E

QUESTION 12

Which set of rights does a user receive (by default) to her home directory when her user object is created in eDirectory?

- A. Read
- B. Supervisor
- C. Read, Write
- D. Read, Write, Create, Erase
- E. Read, Write, Create, Erase, Modify, File Scan
- F. Supervisor, Read, Write, Create, Erase, Modify
- G. Read, Write, Create, Erase, Modify, File Scan, Access Control
- H. Supervisor, Read, Write, Create, Erase, Modify, File Scan, Access Control

Correct Answer: G

QUESTION 13

User BDevries has access to his manager's confidential files located on the HR volume on the DA2 NetWare server. Upon inspection, you discover that his user object has all file system rights to the root directory of the HR volume. You determine that BDevries has the Supervisor effective right to the DA2 server object in the eDirectory tree. What should



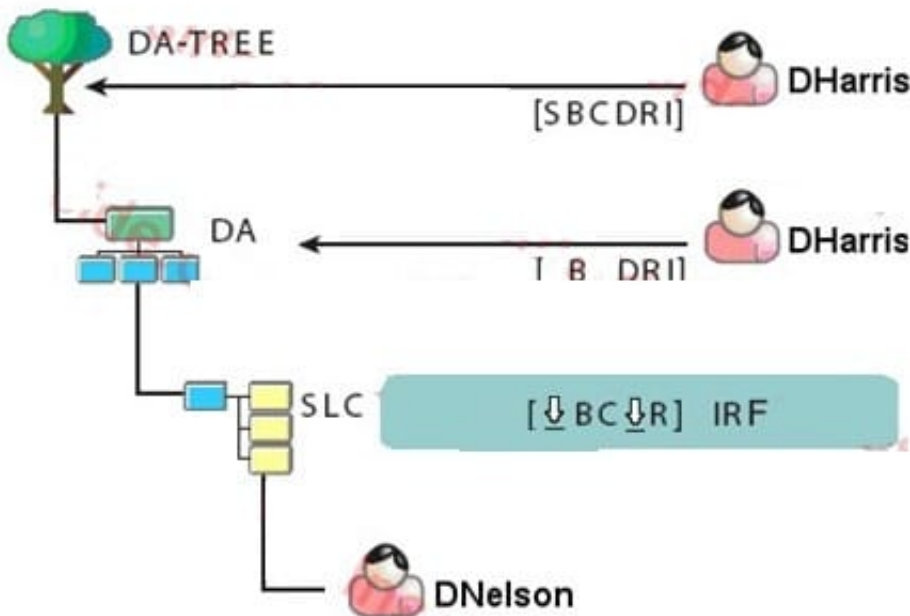
you check to identify where these rights are coming from? (Choose 2.)

- A. Groups BDevries is a member of.
- B. List objects associated with BDevries.
- C. Alias objects associated with BDevries.
- D. Template objects associated with BDevries.
- E. Organizational roles BDevries is an occupant of.
- F. NDSPredicateStats objects associated with BDevries.

Correct Answer: AE

QUESTION 14

Click the Exhibit button to begin.



Given the explicit rights assignments and the IRFs shown, what rights does the DHarris user object have to the DNelson user object?

- A. Browse
- B. Rename
- C. Supervisor



D. Browse, Rename

E. Browse, Create, Rename

F. Browse, Create, Delete, Rename, Inheritable

G. Supervisor, Browse, Create, Delete, Rename, Inheritable

Correct Answer: D

QUESTION 15

Which firewall intercepts information running through a gateway and accepts only packets that are generated by a specific protocol such as FTP or SMTP?

A. Caching Proxy

B. Packet Filtering

C. Application Proxy

D. Circuit-Level Gateway

E. Network Address Translation

Correct Answer: C

[050-696 PDF Dumps](#)

[050-696 VCE Dumps](#)

[050-696 Exam Questions](#)