



# WORKKEYS<sup>Q&As</sup>

WorkKeys Assessment Test

**Pass ACT WORKKEYS Exam with 100% Guarantee**

Free Download Real Questions & Answers **PDF** and **VCE** file from:

<https://www.passapply.com/workkeys.html>

100% Passing Guarantee  
100% Money Back Assurance

Following Questions and Answers are all new published by ACT Official Exam Center

-  **Instant Download** After Purchase
-  **100% Money Back** Guarantee
-  **365 Days** Free Update
-  **800,000+** Satisfied Customers





### QUESTION 1

Mitchell needs to find a container than can hold a large amount of water. There are various sizes from which to choose. Which of the following shapes would offer the greatest volume when filled?

- A. a cube with side length of 80 feet
- B. a cylinder with a diameter of 90 feet and a height of 7 feet
- C. a ball with a radius of 50 feet
- D. a ball with a diameter of 90 feet
- E. a cylinder with a radius of 70 feet and a height of 30 feet

Correct Answer: C

---

### QUESTION 2

John waits in line for 1.5 hours to ride the Screaming Demon roller coaster. How many calories does he use?

Activity	Calories Used Per Hour
Writing letters	156
Cleaning house	222
Water skiing	480
Waiting in line	156

- A. 111 calories
- B. 156 calories
- C. 234 calories
- D. 312 calories
- E. 2340 calories

Correct Answer: C

---

### QUESTION 3



The drivers at C and N Trucking must report the mileage on their trucks each week. The mileage reading of Zachary's vehicle was 21,907 at the beginning of one week, and 22,053 at the end of the same week. What was the total number of miles driven by Zachary that week?

- A. 46 miles
- B. 145 miles
- C. 146 miles
- D. 550 miles
- E. 1046 miles

Correct Answer: C

---

#### QUESTION 4

Stereos normally priced at \$239 are now on sale for 40% off. What is the sale price?

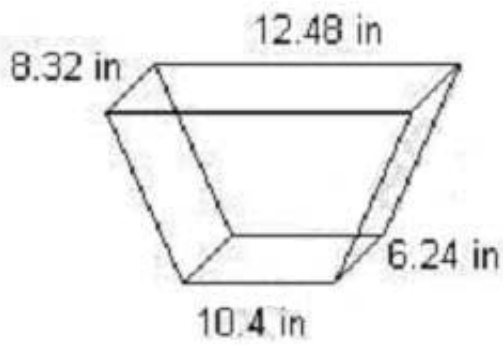
- A. \$40.00
- B. \$95.60
- C. \$143.40
- D. \$239.40
- E. \$334.60

Correct Answer: C

---

#### QUESTION 5

Alyce designed some planters for her patio. The planters are to have a rectangular base and four sides that are trapezoids. The height of the planter is to be 4.29 inches. Approximately how many flower planters can be made from a 4-foot by 8-foot sheet of plywood?



- A. 71
- B. 29
- C. 28
- D. 21
- E. 18

Correct Answer: D

[Latest WORKKEYS Dumps](#)

[WORKKEYS Practice Test](#)

[WORKKEYS Study Guide](#)