



NSE8_810^{Q&As}

Fortinet Network Security Expert 8 Written Exam (810)

Pass Fortinet NSE8_810 Exam with 100% Guarantee

Free Download Real Questions & Answers **PDF** and **VCE** file from:

https://www.passapply.com/nse8_810.html

100% Passing Guarantee
100% Money Back Assurance

Following Questions and Answers are all new published by Fortinet
Official Exam Center

-  **Instant Download** After Purchase
-  **100% Money Back** Guarantee
-  **365 Days** Free Update
-  **800,000+** Satisfied Customers





QUESTION 1

Click the Exhibit button.

Referring to the exhibit, which command-line option for deep inspection SSL would have the FortiGate resign all untrusted self-signed certificates with the trusted Fortinet_CA_SSL certificate?



```
config firewall ssl-ssh-profile
  edit "custom-deep-inspection"
    config https
      set untrusted-cert {option}
    end
  next
end
```

- A. allow
- B. block
- C. ignore
- D. inspect

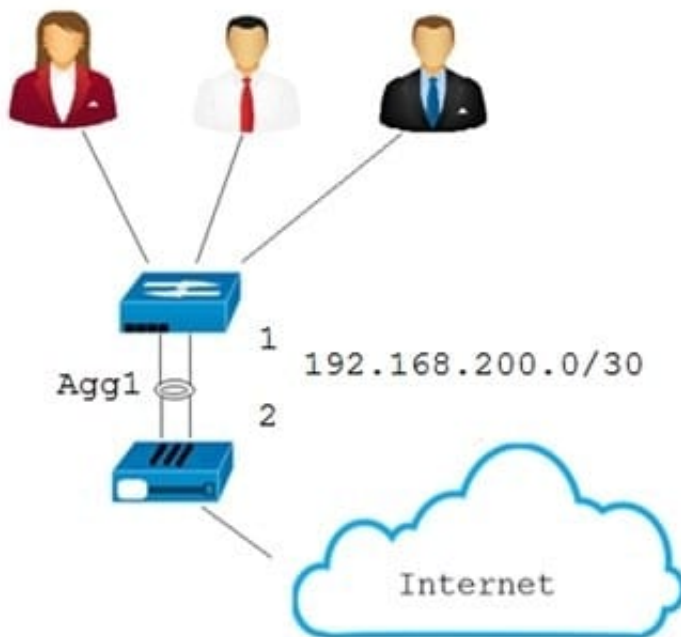
Correct Answer: A

QUESTION 2

Click the exhibit.

You created an aggregate interface between your FortiGate and a switch consisting of two 1 Gbps links as shown in the exhibit. However, the maximum bandwidth never exceeds 1 Gbps and employees are complaining that the network is slow. After troubleshooting, you notice only one member interface is being used. The configuration for the aggregate interface is shown in the exhibit.

In this scenario, which command will solve this problem?



```
config system interface
edit "Agg1"
set ip 192.168.200.2 255.255.255.252
set type aggregate
set member port1 port2
set vdom "root"
set weight 1
set lacp-mode passive
set min-links 1
set algorithm L2
next
end
```

- A. config system interface edit Agg1 set min-links 2 end
- B. config system interface edit Agg1 set weight 2 end
- C. config system interface edit Agg1 set Algorithm L4 end
- D. config system interface edit Agg1 set lacp-mode active end

Correct Answer: A

QUESTION 3

Exhibit

Click the Exhibit button.



```
Exhibit
ike 0:Dial-Up_0:30:Dial-Up:5: IPsec SA selectors #src=1
#dst=1
ike 0:Dial-Up_0:30:Dial-Up:5: src 0 7
0:0.0.0.0-255.255.255.255:0
ike 0:Dial-Up_0:30:Dial-Up:5 dst 0 7
0:10.10.10.0-10.10.10.255:0
ike 0:Dial-Up_0:30:Dial-Up:5: add dynamic IPsec SA
selectors
ike 0:Dial-Up_1:2: moving route
10.10.10.0/255.255.255.0 oif
Dial-Up_1(23) metric 15 priority 0 to 0:Dial-Up_0:5
ike 0:Dial-Up_1:2: del route 10.10.10.0/255.255.255.0
oif Dial-Up_1(23) metric 15 priority 0
ike 0:Dial-Up_1: deleting
ike 0:Dial-Up_1: flushing
ike 0:Dial-Up_1: deleting IPsec SA with SPI fa6915c1
ike 0:Dial-Up_1:Dial-Up: deleted IPsec SA with SPI
fa6915c1, SA count: 0
ike 0:Dial-Up_1: sending SNMP tunnel DOWN trap for
Dial-Up
ike 0:Dial-Up 1: delete
```

A FortiGate is configured for a dial-up IPsec VPN to allow multiple remote FortiGates to connect to it.

However, FortiGates A and B have problems connecting to the VPN. Only one of them can be connected at a time. If site B tries to connect while site A is connected, site A is disconnected. The IKE real time debug shows the output in the exhibit when site A is disconnected.

Which configuration setting should be executed in the dial-up configuration to allow both VPNs to be connected at the same time?

- A. set enforce-unique-id disable
- B. set add-router enable
- C. set single-source disable
- D. set router-overlap allow

Correct Answer: D

QUESTION 4

Click the Exhibit button.

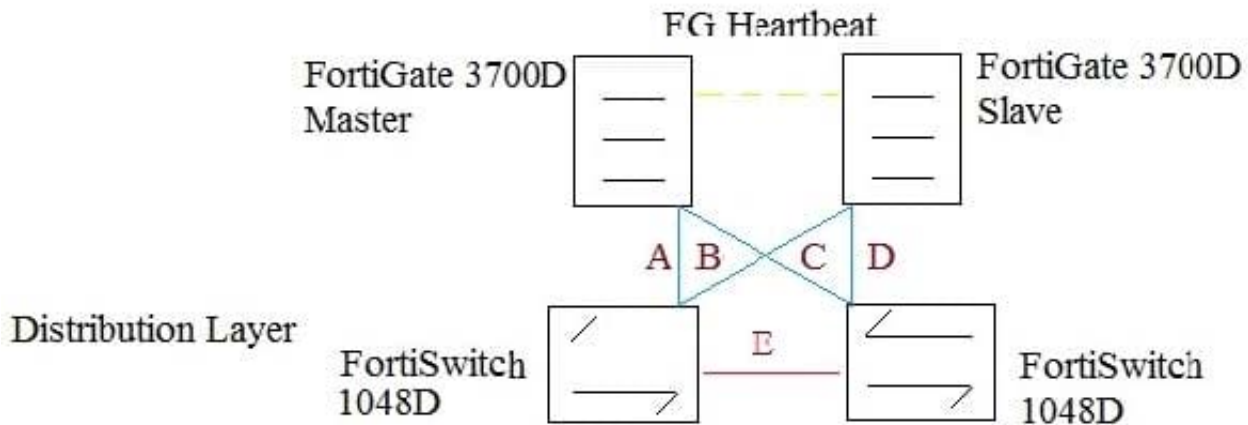
The exhibit shows a full-mesh topology between FortiGates and FortiSwitches. To deploy this



configuration, two requirements must be met:

- 20 Gbps full duplex connectivity is available between each FortiGate and the FortiSwitches
- The FortiGate HA must be in AP mode.

Security Layer



Referring to the exhibit, what are two actions that will fulfill the requirements? (Choose two.)

- A. Configure both FortiSwitch as peers with ICL over cable E, create one MCLAG on ports connected to cables A and C, and create another MCLAG on ports connected to cables B and D.
- B. Configure the master FortiGate with one and FortiLink split interface disable on ports connected to cables A and C and make sure the same ports are used for to cables B and D.
- C. Configure both FortiSwitches as peers ISL over cable on create one MCLAG on ports connected cables A and C, and ceate another MCLAG on ports connected to cables B and D.
- D. Configure the master FortiGate with one LAG and FortiLink split interface enables on ports connected to cable A and C make sure the ports are used for cables B and D on the slave.

Correct Answer: AC

QUESTION 5

You configure an outgoing firewall policy with a web filter for accessing the internet. The access to URL [https:// itacm.co](https://itacm.co) and web belonging to the same category should be blocked. You notice that the Web server presents a certificate with CN=www acme.com. The www.it.acme site is as '\\\\' information Technology and the www.acme.com site is categorized as '\\\\'Business".

Which statements is correct in this scenario?

- A. Category "information Technology" needs to be blocked, the FortiGate is able to inspect the URL with HTTPS sessions.
- B. Category "Business" needs to be blocked: the certificate name takes precedence over the SNI.



C. SSL inspection must be configured to deep-inspection: the category "information Technology "needs to be blocked.

D. Category :information Technology" needs to be blocked, the SNI takes precedence over the certificate name.

Correct Answer: C

[NSE8_810 Practice Test](#)

[NSE8_810 Study Guide](#)

[NSE8_810 Braindumps](#)