



NSE7_OTS-6.4^{Q&As}

Fortinet NSE 7 - OT Security 6.4

Pass Fortinet NSE7_OTS-6.4 Exam with 100% Guarantee

Free Download Real Questions & Answers **PDF** and **VCE** file from:

https://www.passapply.com/nse7_ots-6-4.html

100% Passing Guarantee
100% Money Back Assurance

Following Questions and Answers are all new published by Fortinet Official Exam Center

-  **Instant Download** After Purchase
-  **100% Money Back** Guarantee
-  **365 Days** Free Update
-  **800,000+** Satisfied Customers





QUESTION 1

Refer to the exhibit.



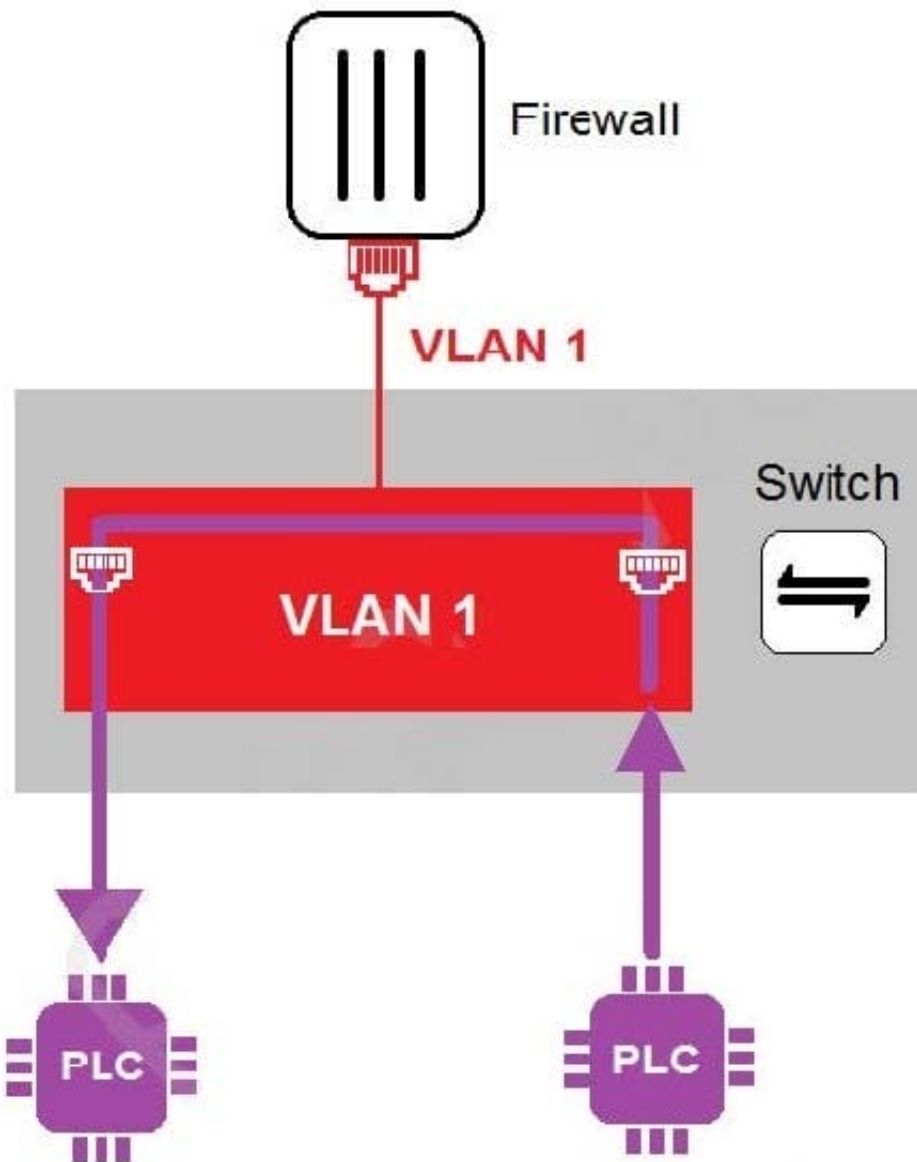
Based on the Purdue model, which three measures can be implemented in the control area zone using the Fortinet Security Fabric? (Choose three.)

- A. FortiGate for SD-WAN
- B. FortiGate for application control and IPS
- C. FortiNAC for network access control
- D. FortiSIEM for security incident and event management
- E. FortiEDR for endpoint detection

Correct Answer: BCD

QUESTION 2

Refer to the exhibit.



In the topology shown in the exhibit, both PLCs can communicate directly with each other, without going through the firewall.

Which statement about the topology is true?

- A. PLCs use IEEE802.1Q protocol to communicate each other.
- B. An administrator can create firewall policies in the switch to secure between PLCs.
- C. This integration solution expands VLAN capabilities from Layer 2 to Layer 3.
- D. There is no micro-segmentation in this topology.

Correct Answer: D

QUESTION 3



Which three methods of communication are used by FortiNAC to gather visibility information? (Choose three.)

- A. SNMP
- B. ICMP
- C. API
- D. RADIUS
- E. TACACS

Correct Answer: ACD

QUESTION 4

An OT administrator deployed many devices to secure the OT network. However, the SOC team is reporting that there are too many alerts, and that many of the alerts are false positive. The OT administrator would like to find a solution that eliminates repetitive tasks, improves efficiency, saves time, and saves resources.

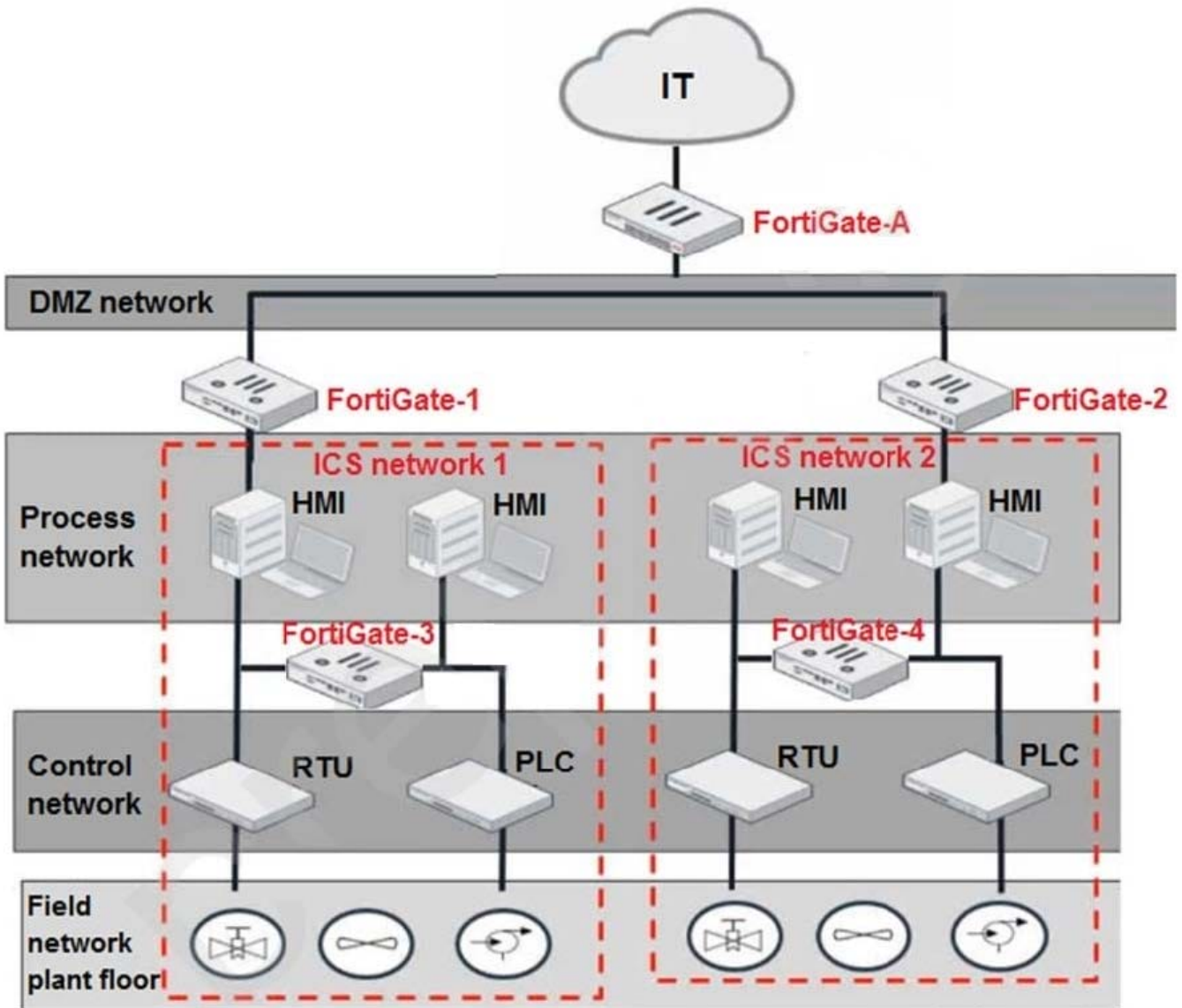
Which products should the administrator deploy to address these issues and automate most of the manual tasks done by the SOC team?

- A. FortiSIEM and FortiManager
- B. FortiSandbox and FortiSIEM
- C. FortiSOAR and FortiSIEM
- D. A syslog server and FortiSIEM

Correct Answer: C

QUESTION 5

Refer to the exhibit.



Based on the topology designed by the OT architect, which two statements about implementing OT security are true? (Choose two.)

- A. Firewall policies should be configured on FortiGate-3 and FortiGate-4 with industrial protocol sensors.
- B. Micro-segmentation can be achieved only by replacing FortiGate-3 and FortiGate-4 with a pair of FortiSwitch devices.
- C. IT and OT networks are separated by segmentation.
- D. FortiGate-3 and FortiGate-4 devices must be in a transparent mode.

Correct Answer: CD