



# NSE5<sup>Q&As</sup>

Fortinet Network Security Expert 5 Written Exam (500)

## Pass Fortinet NSE5 Exam with 100% Guarantee

Free Download Real Questions & Answers **PDF** and **VCE** file from:

<https://www.passapply.com/nse5.html>

100% Passing Guarantee  
100% Money Back Assurance

Following Questions and Answers are all new published by Fortinet  
Official Exam Center

-  **Instant Download** After Purchase
-  **100% Money Back** Guarantee
-  **365 Days** Free Update
-  **800,000+** Satisfied Customers





### QUESTION 1

When creating administrative users, the assigned \_\_\_\_\_ determines user rights on the FortiGate unit.

A. access profile

Correct Answer: A

---

### QUESTION 2

Which statement correctly compares FortiManager physical and virtual appliances?

A. Physical and virtual FortiManager appliances may manage unlimited devices and have unrestricted storage.

B. Physical and virtual FortiManager appliances use licenses to increase managed device and storage capacity limits.

C. Physical and virtual FortiManager appliances have an unrestricted daily logging rate.

D. Physical and virtual FortiManager appliances use model types and licenses respectively, to differentiate managed device and storage capacity limits.

Correct Answer: D

---

### QUESTION 3

A FortiClient fails to establish a VPN tunnel with a FortiGate unit.

The following information is displayed in the FortiGate unit logs:

msg="Initiator: sent 192.168.11.101 main mode message #1 (OK)"

msg="Initiator: sent 192.168.11.101 main mode message #2 (OK)"

msg="Initiator: sent 192.168.11.101 main mode message #3 (OK)"

msg="Initiator: parsed 192.168.11.101 main mode message #3 (DONE)"

msg="Initiator: sent 192.168.11.101 quick mode message #1 (OK)"

msg="Initiator: tunnel 192.168.1.1/192.168.11.101 install ipsec sa"

msg="Initiator: sent 192.168.11.101 quick mode message #2 (DONE)"

msg="Initiator: tunnel 192.168.11.101, transform=ESP\_3DES, HMAC\_MD5"

msg="Failed to acquire an IP address"

Which of the following statements is a possible cause for the failure to establish the VPN tunnel?

A. An IPsec DHCP server is not enabled on the external interface of the FortiGate unit.



- B. There is no IPSec firewall policy configured for the policy-based VPN.
- C. There is a mismatch between the FortiGate unit and the FortiClient IP addresses in the phase 2 settings.
- D. The phase 1 configuration on the FortiGate unit uses Aggressive mode while FortiClient uses Main mode.

Correct Answer: A

#### QUESTION 4

In an IPSec gateway-to-gateway configuration, two FortiGate units create a VPN tunnel between two separate private networks.

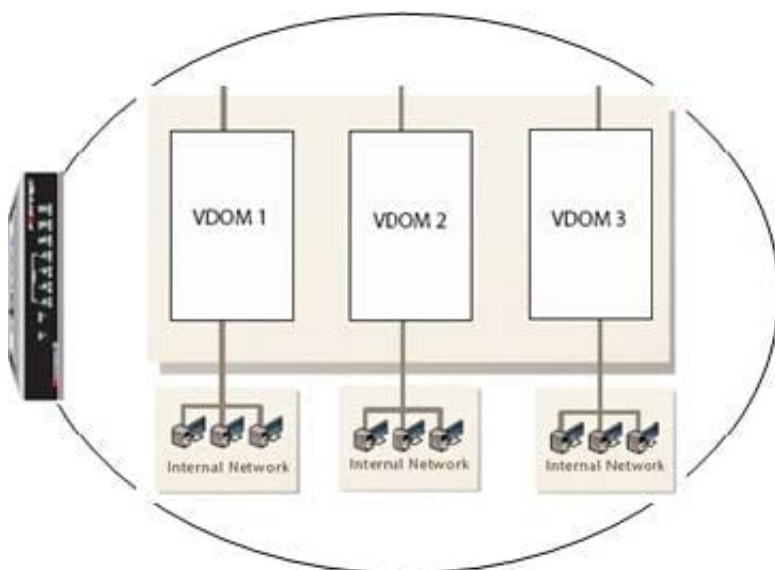
Which of the following configuration steps must be performed on both FortiGate units to support this configuration? (Select all that apply.)

- A. Create firewall policies to control traffic between the IP source and destination address.
- B. Configure the appropriate user groups on the FortiGate units to allow users access to the IPSec VPN connection.
- C. Set the operating mode of the FortiGate unit to IPSec VPN mode.
- D. Define the Phase 2 parameters that the FortiGate unit needs to create a VPN tunnel with the remote peer.
- E. Define the Phase 1 parameters that the FortiGate unit needs to authenticate the remote peers.

Correct Answer: ADE

#### QUESTION 5

A FortiGate unit is configured with three Virtual Domains (VDOMs) as illustrated in the exhibit.



Which of the following statements are correct regarding these VDOMs? (Select all that apply.)



- A. The FortiGate unit supports any combination of these VDOMs in NAT/Route and Transparent modes.
- B. The FortiGate unit must be a model 1000 or above to support multiple VDOMs.
- C. A license had to be purchased and applied to the FortiGate unit before VDOM mode could be enabled.
- D. All VDOMs must operate in the same mode.
- E. Changing a VDOM operational mode requires a reboot of the FortiGate unit.
- F. An admin account can be assigned to one VDOM or it can have access to all three VDOMs.

Correct Answer: AF

[NSE5 PDF Dumps](#)

[NSE5 Study Guide](#)

[NSE5 Exam Questions](#)