



NS0-192^{Q&As}

NetApp Certified Support Engineer

Pass NetApp NS0-192 Exam with 100% Guarantee

Free Download Real Questions & Answers **PDF** and **VCE** file from:

<https://www.passapply.com/ns0-192.html>

100% Passing Guarantee
100% Money Back Assurance

Following Questions and Answers are all new published by NetApp
Official Exam Center

-  **Instant Download** After Purchase
-  **100% Money Back** Guarantee
-  **365 Days** Free Update
-  **800,000+** Satisfied Customers





QUESTION 1

Users are unable to access data stored on an ONTAP cluster. The storage aggregate show command reports that the aggregates are offline and wafI_inconsistent.

Which action would you perform to recover the aggregate?

- A. Perform an aggregate copy and delete the source aggregate.
- B. Execute the storage aggregate online command from the cluster shell.
- C. Use file system recovery tools to recover the aggregate.
- D. Execute the aggr online command from maintenance mode.

Correct Answer: C

QUESTION 2

Click the exhibit button.

```
::> qos statistics volume latency show -volume csdata -vserver nas1
```

Workload	ID	Latency	Network	Cluster	Data	Disk	QoS	NVRAM
csdata-wid1234	1234	12.68ms	74.00us	0ms	835.00us	10.77ms	0ms	0ms
csdata-wid1234	1234	12.12ms	73.00us	0ms	643.00us	10.07ms	0ms	0ms
csdata-wid1234	1234	12.42ms	73.00us	0ms	643.00us	10.32ms	0ms	0ms

Based on the QoS output from the storage controller, your database administrator is complaining of slow read and write performance.

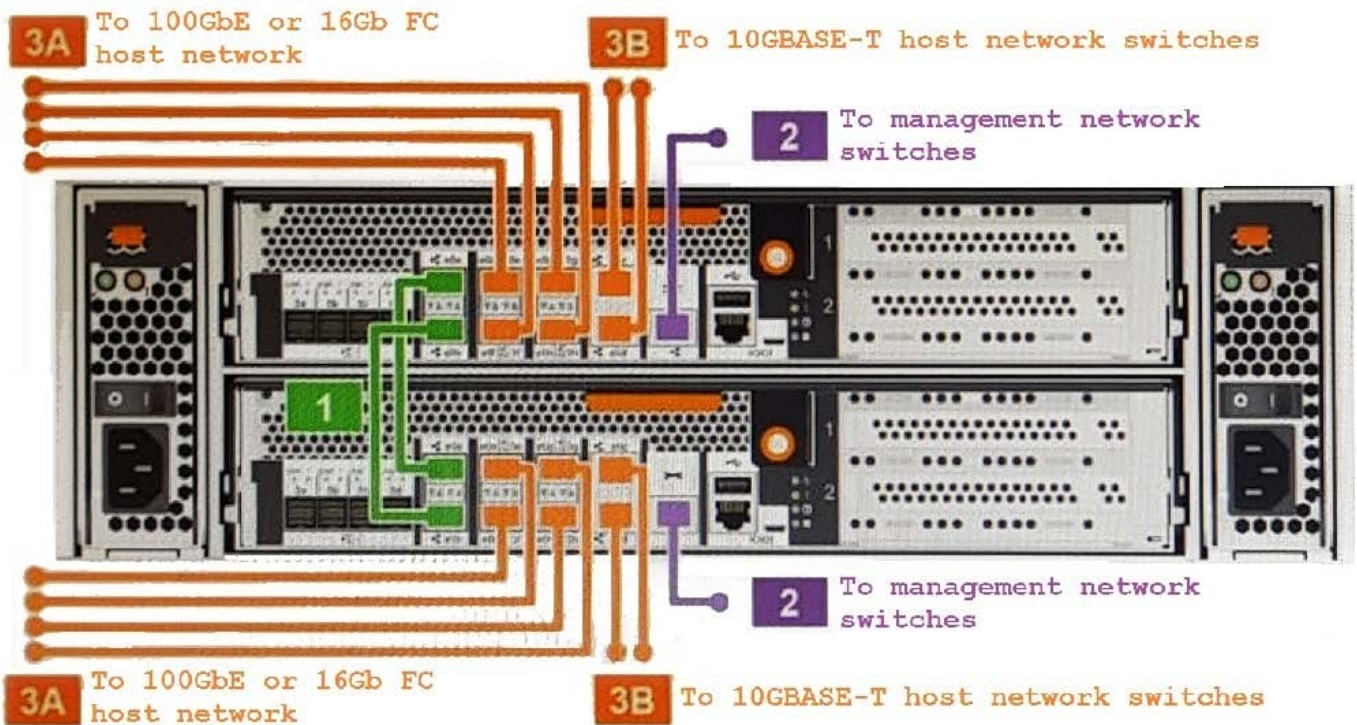
Referring to the exhibit, what would be two appropriate actions to improve performance for both reads and writes? (Choose two.)

- A. Move the workload to an SSD aggregate.
- B. Apply a QoS maximum policy to the csdata-wid1234 workload.
- C. Add a Flash Pool to the existing aggregate.
- D. Upgrade the controller's NVRAM.

Correct Answer: BC

QUESTION 3

Click the Exhibit button.



You are troubleshooting HA interconnect link connection errors.

Referring to the exhibit, which physical connections should you examine?

- A. 1
- B. 3B
- C. 3A
- D. 2

Correct Answer: C

QUESTION 4

A customer has a Window PC connected to an SMB share for a newly created volume on ONTAP storage. The share properties indicate that it has 475 GB free. However, the volume is configured as a 500 GB volume.

Which technology is responsible for this situation?

- A. deswizzling
- B. deduplication
- C. Snapshot reserve
- D. compression

Correct Answer: D



QUESTION 5

Which two statements are true about epsilon in a 4-node cluster? (Choose two.)

- A. Epsilon is used as a tie-breaker for determining a quorum.
- B. Epsilon is automatically assigned to the first node when a cluster is created.
- C. Epsilon is used for determining the up node in failover.
- D. Epsilon is automatically assigned to the last node added to a cluster.

Correct Answer: AB

Reference: <https://docs.netapp.com/ontap-9/index.jsp?topic=%2Fcom.netapp.doc.dot-cm-sag%2FGUIDEFE1DEF4-8B87-4C4A-8E4E-C6C79F760710.html>

[NS0-192 PDF Dumps](#)

[NS0-192 Practice Test](#)

[NS0-192 Exam Questions](#)