



NS0-192^{Q&As}

NetApp Certified Support Engineer

Pass NetApp NS0-192 Exam with 100% Guarantee

Free Download Real Questions & Answers **PDF** and **VCE** file from:

<https://www.passapply.com/ns0-192.html>

100% Passing Guarantee
100% Money Back Assurance

Following Questions and Answers are all new published by NetApp
Official Exam Center

-  **Instant Download** After Purchase
-  **100% Money Back** Guarantee
-  **365 Days** Free Update
-  **800,000+** Satisfied Customers





QUESTION 1

Which two statements are true about epsilon in a 4-node cluster? (Choose two.)

- A. Epsilon is used as a tie-breaker for determining a quorum.
- B. Epsilon is automatically assigned to the first node when a cluster is created.
- C. Epsilon is used for determining the up node in failover.
- D. Epsilon is automatically assigned to the last node added to a cluster.

Correct Answer: AB

Reference: <https://docs.netapp.com/ontap-9/index.jsp?topic=%2Fcom.netapp.doc.dot-cm-sag%2FGUIDEFE1DEF4-8B87-4C4A-8E4E-C6C79F760710.html>

QUESTION 2

An A700s system failed to boot. The administrator finds the boot image has been corrupted.

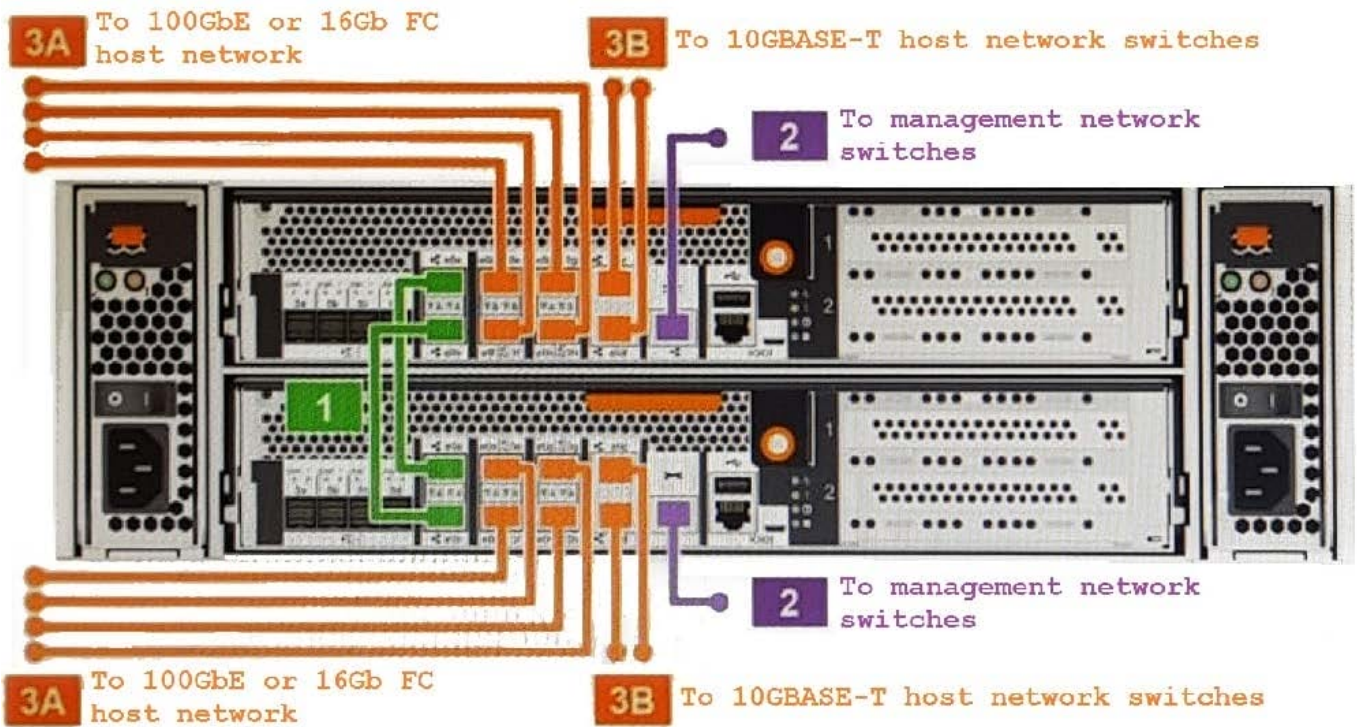
In this scenario, which two actions would be performed to restore the image? (Choose two.)

- A. Copy the image from an external USB drive.
- B. Copy the image from the partner.
- C. Replace the boot device.
- D. Copy the image from a Web server using the netboot procedure.

Correct Answer: AB

QUESTION 3

Click the Exhibit button.



You are troubleshooting HA interconnect link connection errors.

Referring to the exhibit, which physical connections should you examine?

- A. 1
- B. 3B
- C. 3A
- D. 2

Correct Answer: C

QUESTION 4

Using QoS statistics for a group of volumes on one node, you notice that most of the latency comes from the data layer.

In this scenario, which statement is correct?

- A. There is too much indirect traffic from other nodes.
- B. QoS processing is increasing CPU usage.
- C. The CPU on the node is overused.
- D. High disk use is increasing CPU usage.

Correct Answer: D



QUESTION 5

Click the exhibit button.

```
::> qos statistics volume latency show -volume csdata -vserver nas1
```

Workload	ID	Latency	Network	Cluster	Data	Disk	QoS	NVRAM
csdata-wid1234	1234	12.68ms	74.00us	0ms	835.00us	10.77ms	0ms	0ms
csdata-wid1234	1234	12.12ms	73.00us	0ms	643.00us	10.07ms	0ms	0ms
csdata-wid1234	1234	12.42ms	73.00us	0ms	643.00us	10.32ms	0ms	0ms

Based on the QoS output from the storage controller, your database administrator is complaining of slow read and write performance.

Referring to the exhibit, what would be two appropriate actions to improve performance for both reads and writes? (Choose two.)

- A. Move the workload to an SSD aggregate.
- B. Apply a QoS maximum policy to the csdata-wid1234 workload.
- C. Add a Flash Pool to the existing aggregate.
- D. Upgrade the controller's NVRAM.

Correct Answer: BC

[NS0-192 Practice Test](#)

[NS0-192 Study Guide](#)

[NS0-192 Braindumps](#)