



NS0-184^{Q&As}

NetApp Certified Storage Installation Engineer, ONTAP

Pass NetApp NS0-184 Exam with 100% Guarantee

Free Download Real Questions & Answers **PDF** and **VCE** file from:

<https://www.passapply.com/ns0-184.html>

100% Passing Guarantee
100% Money Back Assurance

Following Questions and Answers are all new published by NetApp
Official Exam Center

-  **Instant Download** After Purchase
-  **100% Money Back** Guarantee
-  **365 Days** Free Update
-  **800,000+** Satisfied Customers





QUESTION 1

You are adding new controllers to an existing cluster. As part of the upgrade process, you have updated the BES-53248 cluster switches.

In this scenario. Which two commands would you use to verify a healthy cluster after the upgrade? (Choose two.)

- A. network port show -ipspace Cluster
- B. network interface show -vserver Cluster
- C. network device-discovery show -protocol cdp
- D. network interface show -vserver Cluster -fields auto-revert

Correct Answer: AB

Reference: <https://docs.netapp.com/platstor/index.jsp?topic=%2Fcom.netapp.doc.hw-sw-ix8-setup%2FGUID-340F5F50-FFDA-4B5C-A151-007CF9D6063B.html>

QUESTION 2

When you install a new ONTAP 9.7 4-node cluster, which network type is required?

- A. data network
- B. peering network
- C. cluster interconnect
- D. intercluster network

Correct Answer: C

Reference: <https://docs.netapp.com/ontap-9/topic/com.netapp.doc.dot-cm-nmg/Network%20and%20LIF%20management.pdf>

QUESTION 3

You installed a new pair of Cisco 92300YC cluster switches at a customer's site. Before you install any files on the switch, you want to view the current configuration.

In this scenario, which command would you use to accomplish this task?

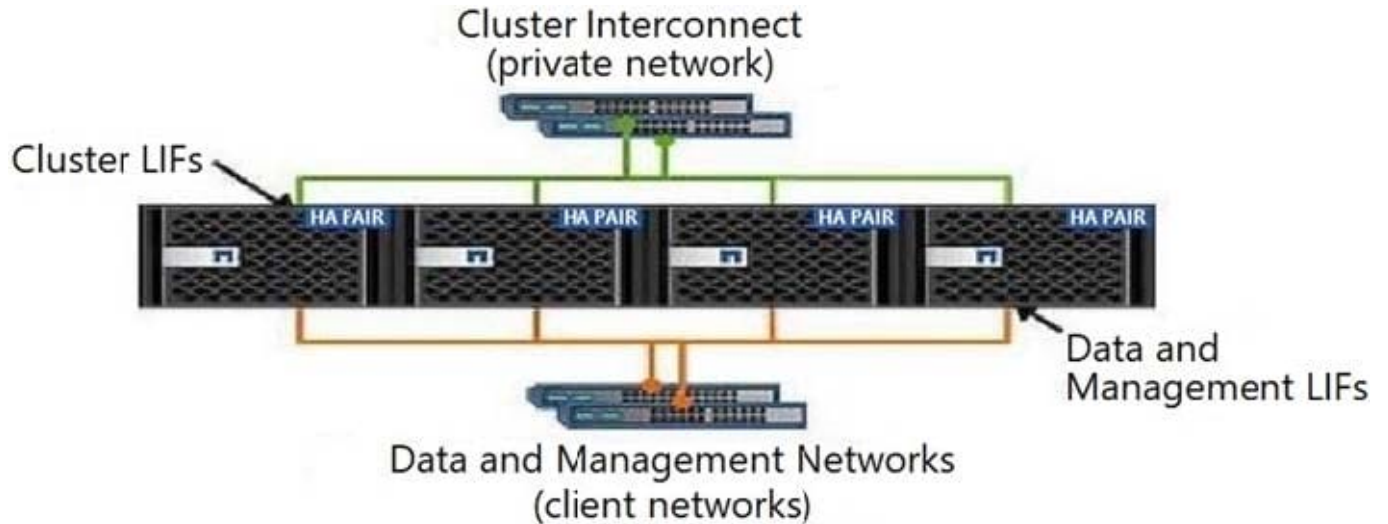
- A. switchcfgshow
- B. fabricshow
- C. config show
- D. show running-config



Correct Answer: A

QUESTION 4

Click the Exhibit button.



As shown in the exhibit, you have an 8-node ONTAP 9.7 cluster. You are asked to set up a SnapMirror volume relationship between node-1 and node-8 in the same cluster.

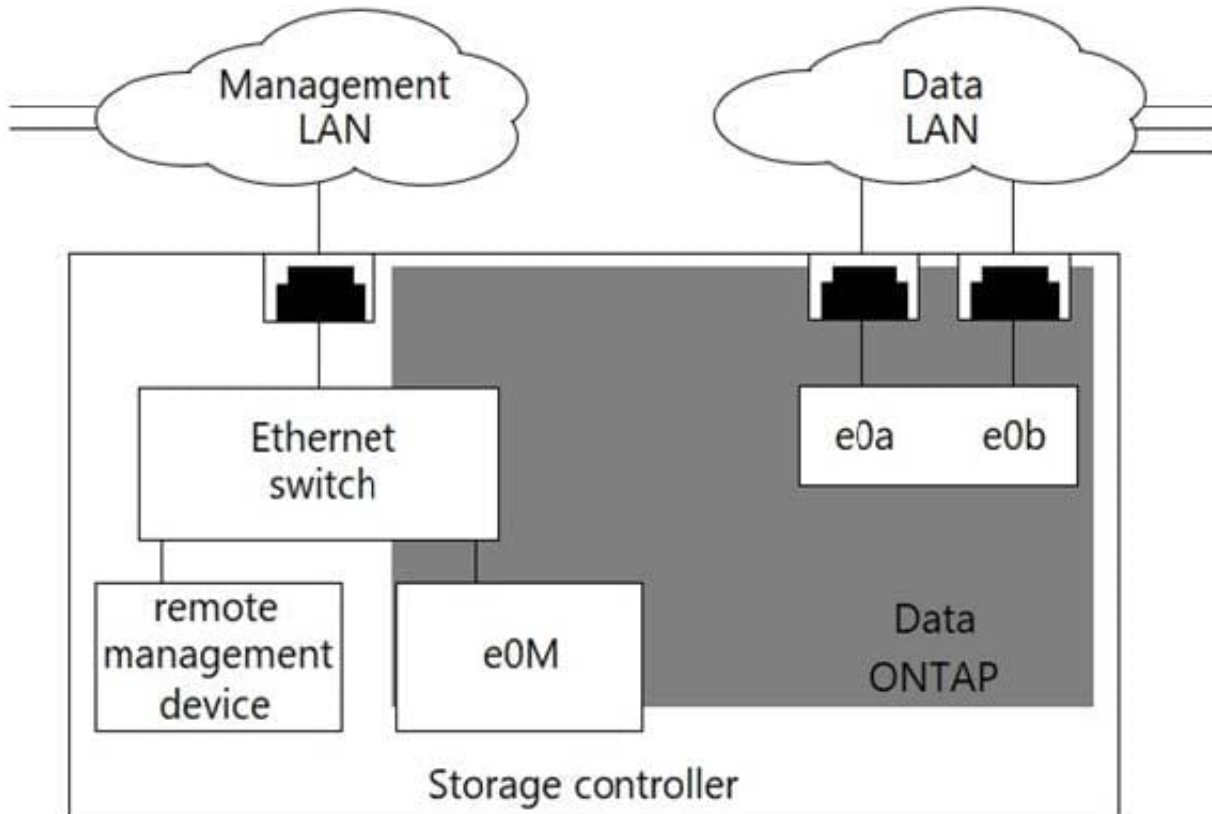
In this scenario, which two network components are used by the SnapMirror volume? (Choose two.)

- A. private network
- B. cluster LIFs
- C. client network
- D. management LIFs

Correct Answer: AB

QUESTION 5

Click the Exhibit button.



You are installing a new FAS cluster. The management network must be on tagged VLAN 11 for remote administration by a service provider.

Referring to the exhibit, which two ports will allow service provider access to both cluster and node management LIFs? (Choose two.)

- A. e0M
- B. e0b-11
- C. e0a-11
- D. e0M-11

Correct Answer: AD

[Latest NS0-184 Dumps](#)

[NS0-184 VCE Dumps](#)

[NS0-184 Braindumps](#)