



NCM-5.15^{Q&As}

Nutanix Certified Master - Multicloud Infrastructure (NCM-MCI) 5.15

Pass Nutanix NCM-5.15 Exam with 100% Guarantee

Free Download Real Questions & Answers **PDF** and **VCE** file from:

<https://www.passapply.com/ncm-5-15.html>

100% Passing Guarantee
100% Money Back Assurance

Following Questions and Answers are all new published by Nutanix
Official Exam Center

-  **Instant Download** After Purchase
-  **100% Money Back** Guarantee
-  **365 Days** Free Update
-  **800,000+** Satisfied Customers





QUESTION 1

An administrator deletes a large amount of data from a Volume Group presented to a Linux VM. The administrator notices that the deleted data has not been reclaimed as usable storage. What action should be taken to reclaim the storage capacity?

- A. Shrink the Volume Group that is associated with the Linux VM
- B. Unmount the Volume Group and then Remount the Volume Group
- C. Enable the unman operation on the Linux VMD. Run Defrag on the Linux VM

Correct Answer: B

QUESTION 2

Refer to the exhibit.

User	Quota	Enforcement
All Users	No quota limit	
fileslab\user1	5 GiB	Soft
All Users in "AAPM"	10 GiB	Hard

User 1 and User 2 belong to the AAPM group.

What are two descriptions of how Files perform quota management? (Choose two.)

- A. User 2 can continue to add another 3GB file but will receive a daily notification email.
- B. User 1 can continue to add another 5GB file but will receive a daily notification email.
- C. User 1 can add an 8GB file to the share without receiving notification.
- D. User 2 can add an 8GB file without receiving a notification email.

Correct Answer: BD

QUESTION 3

An administrator is migrating 5MB shares from a third-party platform to Nutanix Files with the following characteristics: Shares contain user profile directories DFS-N will be used

How should the administrator create target shares for this migration?

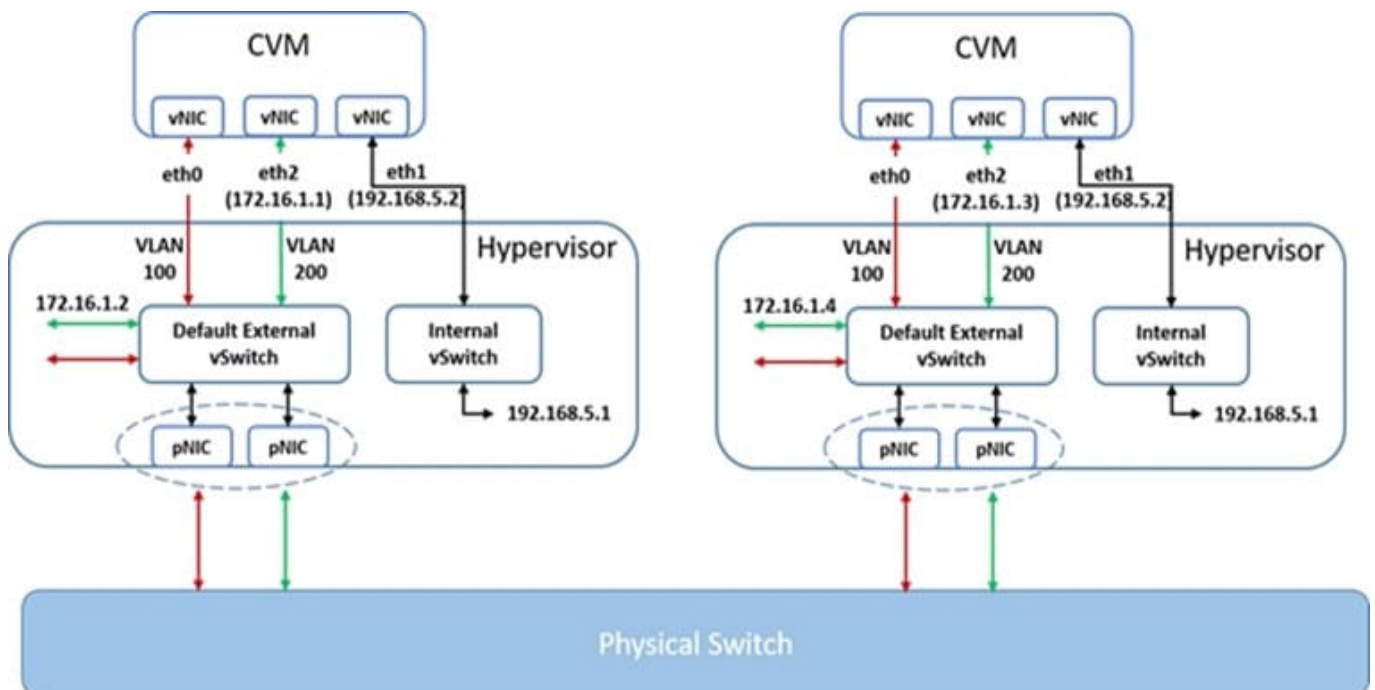


- A. Create multiple general purpose shares and distribute migrated data as evenly as possible.
- B. Create multiple distributed shares and distribute migrated data as evenly as possible.
- C. Create standard shares with multiple top-level directories and distribute migrated data.
- D. Create distributed shares with multiple top-level directories and distribute migrated data.

Correct Answer: D

QUESTION 4

Refer to the exhibit.



What is the purpose of eth2 on the CVMs?

- A. RDMA Network Segmentation
- B. iSCSI connectivity
- C. Remote site connectivity
- D. Network Segmentation

Correct Answer: D

QUESTION 5



An organization is planning an upgrade to AOS 5.15 and wants to understand which cluster products and/or services are supported for physical traffic isolation. Which Nutanix component supports its network traffic being isolated onto its own virtual network?

- A. Volumes
- B. Objects
- C. Containers
- D. Files

Correct Answer: A

[Latest NCM-5.15 Dumps](#)

[NCM-5.15 PDF Dumps](#)

[NCM-5.15 VCE Dumps](#)