



# JN0-682<sup>Q&As</sup>

Data Center Professional (JNCIP-DC)

## Pass Juniper JN0-682 Exam with 100% Guarantee

Free Download Real Questions & Answers **PDF** and **VCE** file from:

<https://www.passapply.com/jn0-682.html>

100% Passing Guarantee  
100% Money Back Assurance

Following Questions and Answers are all new published by Juniper  
Official Exam Center

-  **Instant Download** After Purchase
-  **100% Money Back** Guarantee
-  **365 Days** Free Update
-  **800,000+** Satisfied Customers





### QUESTION 1

You are asked to manage multicast traffic in the EVPN-VXLAN environment. You must ensure that multicast traffic is delivered only to the leaf device with interested receivers. In this scenario, which feature is required on leaf devices to accomplish this task?

- A. PIM
- B. IGMP snooping
- C. MSDP
- D. DVMRP

Correct Answer: B

---

### QUESTION 2

Which two statements define the use of route targets and route distinguishers in an EVPN? (Choose two.)

- A. Route distinguishers ensure that routes from different client remain unique within the data center domain
- B. Route targets ensure that routes from different clients remain unique within the data center domain
- C. Route distinguishers identify the VRF into which the route should be placed
- D. Route targets identify the VRF into which the route should be placed

Correct Answer: AD

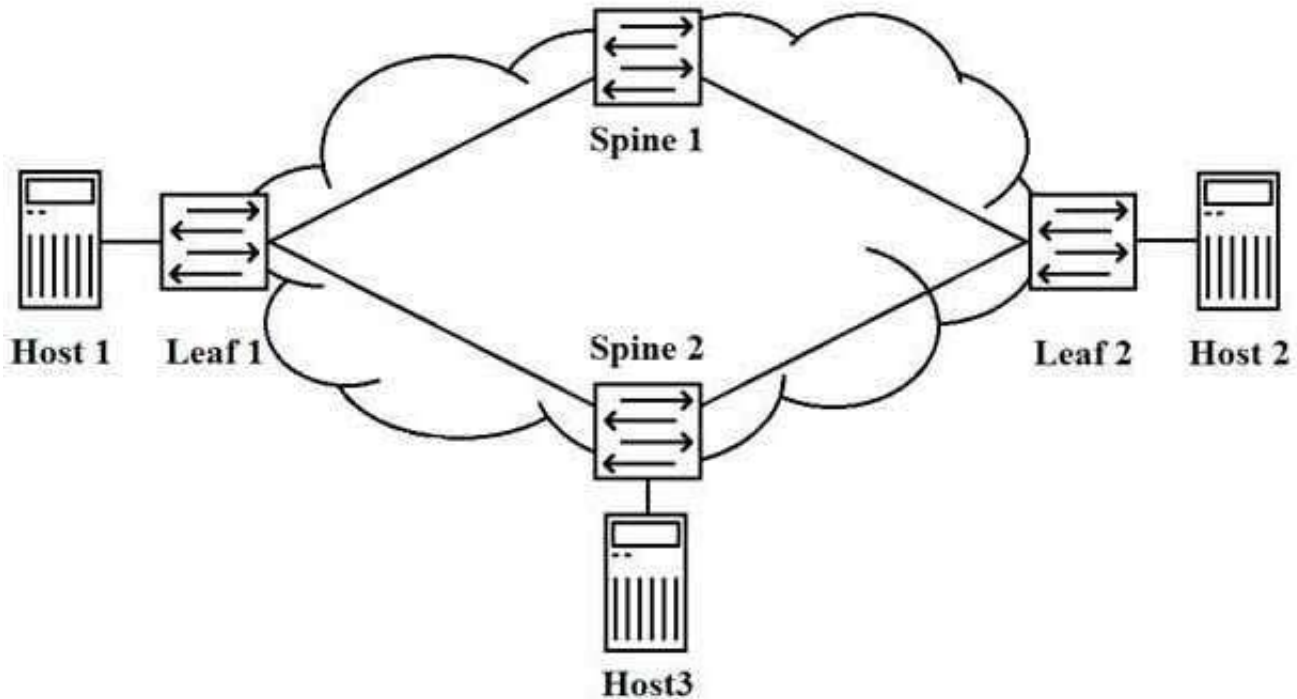
---

### QUESTION 3

Referring to the exhibit, Host 1 and Host 3 have exchanged traffic.



### IP Fabric EVPN-VXLAN Overlay



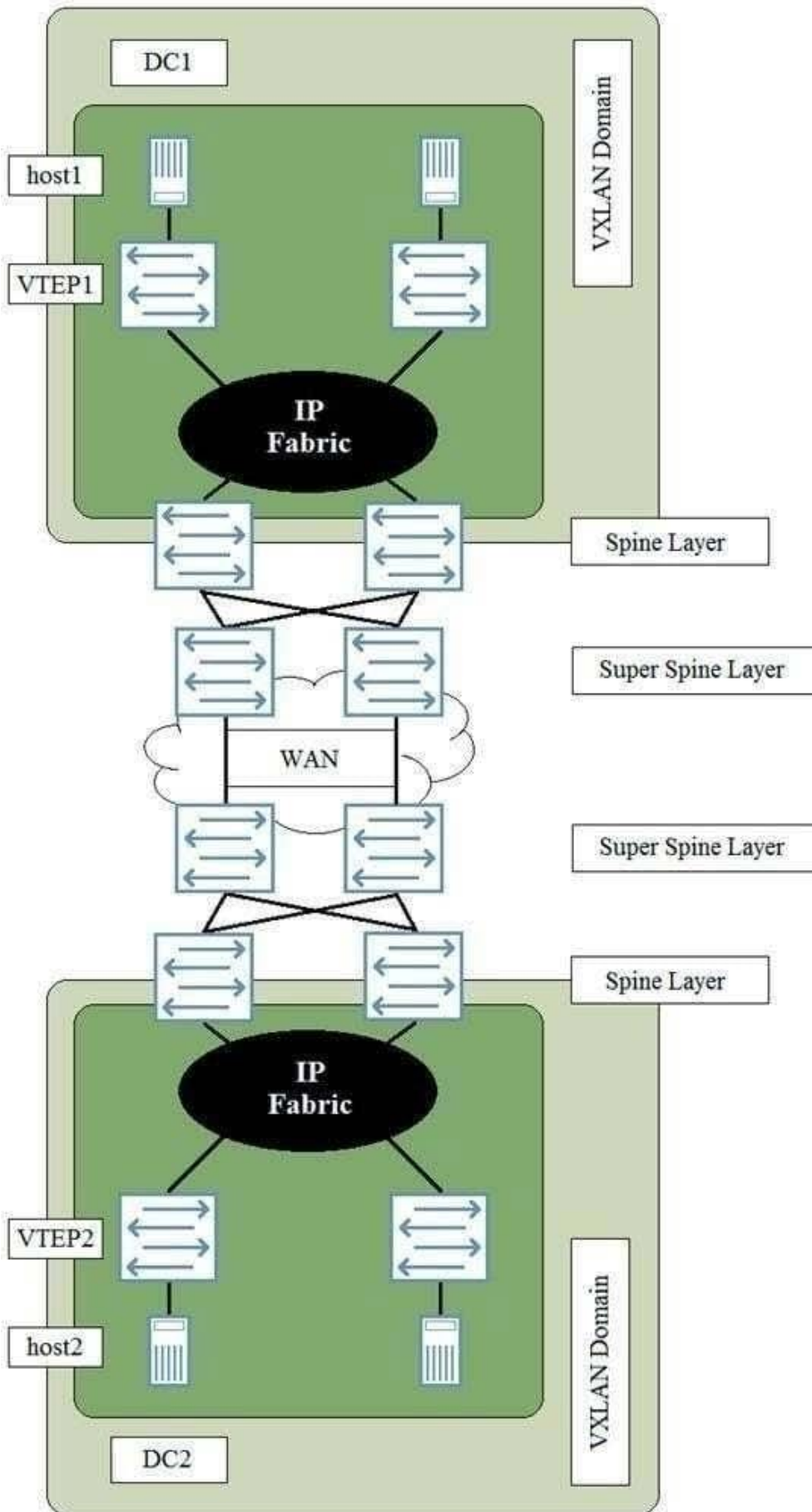
In this scenario, which statement is true?

- A. Leaf 2 learn Host 1's MAC address through periodic updates from Spine 2
- B. Leaf 2 learn Host 1's MAC address when Host 3 learns Host 1's MAC address.
- C. Leaf 2 learn Host 1's MAC address when Leaf 1 queries Host 1.
- D. Leaf 2 does not learn Host 1's MAC address until Host1 and Host2 send traffic to each other

Correct Answer: B

#### QUESTION 4

You have deployed two data centers that require a Layer 2 stretch between host1 and host2.





Referring to the exhibit, what does a Layer 2 stretch require?

- A. A VPLS WAN connection data centers
- B. A VXLAN tunnel originating on VTEP1 to VTEP2
- C. A VXLAN tunnel originating on the super Spine Layer in DC1 to the Super Spine Layer in DC2
- D. A VXLAN tunnel originating on the Spine Layer in DC1 to the Spine Layer in DC2.

Correct Answer: B

---

#### QUESTION 5

You are asked to deploy 20 QFX Series devices using ZTP Each QFX5 100 requires FTP server. In this scenario, which two component must you configure on the DHCP Server? (Choose two.)

- A. The MAC address of the FTP server
- B. The IP address of the FTP server
- C. The MAC address of each QFX5100
- D. The MAC address of each FTP QFX5100

Correct Answer: AB

[Latest JN0-682 Dumps](#)

[JN0-682 Practice Test](#)

[JN0-682 Exam Questions](#)