



JN0-663^{Q&As}

Service Provider Routing and Switching, Professional (JNCIP-SP)

Pass Juniper JN0-663 Exam with 100% Guarantee

Free Download Real Questions & Answers **PDF** and **VCE** file from:

<https://www.passapply.com/jn0-663.html>

100% Passing Guarantee
100% Money Back Assurance

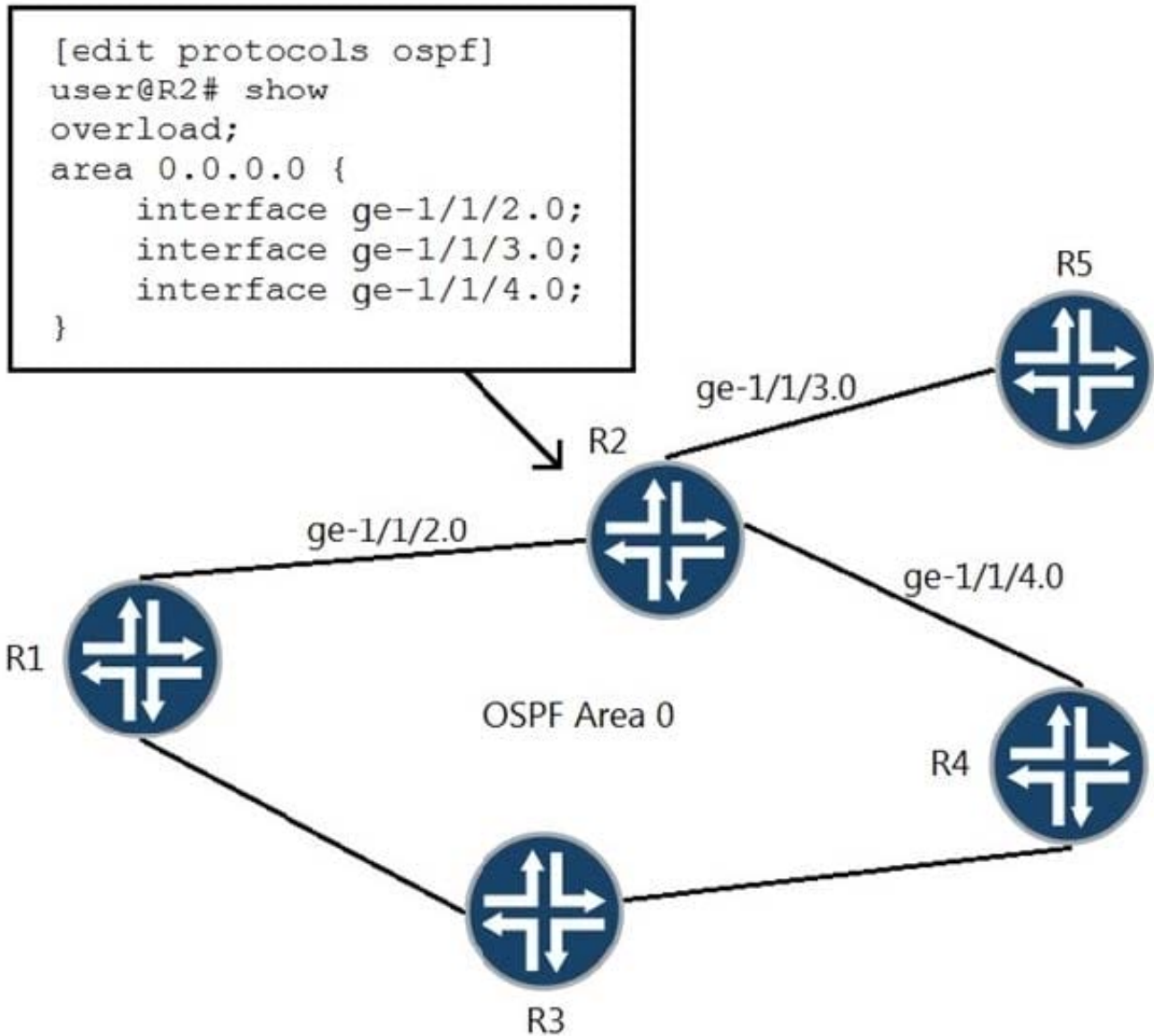
Following Questions and Answers are all new published by Juniper
Official Exam Center

-  **Instant Download** After Purchase
-  **100% Money Back** Guarantee
-  **365 Days** Free Update
-  **800,000+** Satisfied Customers





QUESTION 1

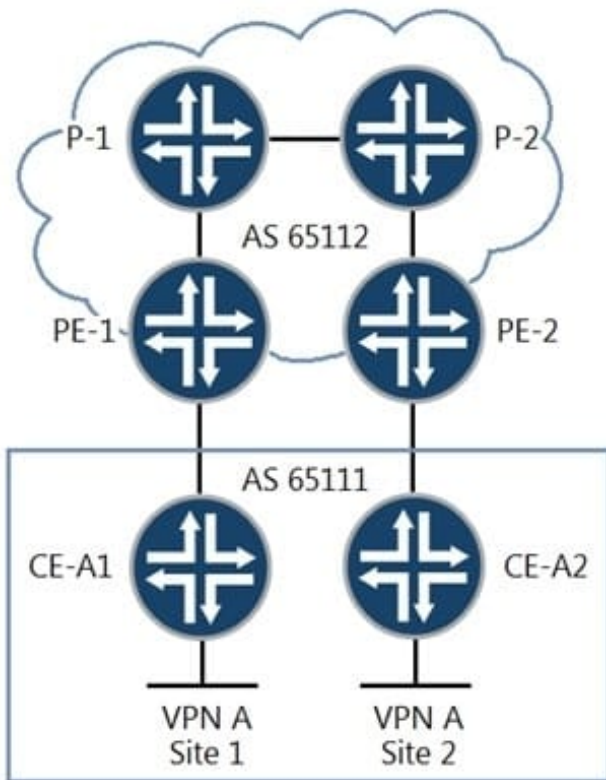


Referring to the exhibit, which two statements are correct? (Choose two.)

- A. R2 stops sending LSAs into the network.
- B. The OSPF interface metrics on R2 are all set to 65535.
- C. R1 will never forward transit traffic through R2.
- D. Transit traffic from R1 to R4 will traverse R3.

Correct Answer: BD

QUESTION 2



```
[edit routing-instances CE-A1]
user@PE-1# show
instance-type vrf;
interface ge-0/0/9.0;
route-distinguisher 10.222.222.3:2;
vrf-target target:65511:101;
protocols {
  bgp {
    group CE-A1 {
      type external;
      peer-as 65111;
      neighbor 192.168.0.2;
    }
  }
}
```

```
[edit routing-instances CE-A2]
user@PE-2# show
instance-type vrf;
interface ge-0/0/9.0;
route-distinguisher 10.222.222.3:2;
vrf-target target:65511:101;
protocols {
  bgp {
    group CE-A2 {
      type external;
      peer-as 65111;
      neighbor 192.168.6.2;
    }
  }
}
```

Referring to the exhibit, hosts in Site 1 and Site 2 are unable to communicate with each other through the Layer 3 VPN.

What is the problem?

- A. The two sites are in the same AS.
- B. The two sites are using the same instance type.
- C. The two sites are using the same route target.
- D. The two sites are using the same route distinguisher.

Correct Answer: A

QUESTION 3



```
[edit protocols bgp]
user@R1# show
group INT {
    type internal;
    local-address 192.168.100.1;
    family inet {
        unicast;
    }
    family inet6 {
        unicast;
    }
    neighbor 192.168.100.2;
}
```

```
[edit protocols bgp]
user@R2# show
group INT {
    type internal;
    local-address 192.168.100.2;
    export nhs;
    neighbor 192.168.100.1;
}
```

Referring to the exhibit, which statement is true?

- A. The BGP session between R1 and R2 will establish correctly and only the inet6 unicast NLRI will pass routing information.
- B. The BGP session between R1 and R2 will fail to establish correctly due to an NLRI mismatch.
- C. The BGP session between R1 and R2 will establish correctly and the inet unicast and the inet6 unicast NRIs will pass routing information.
- D. The BGP session between R1 and R2 will establish correctly and only the inet unicast NLRI will pass routing information.

Correct Answer: D

QUESTION 4

What occurs when a router running IS-IS receives an LSP with the overload bit set?



- A. The LSP is ignored during SPF calculation.
- B. The LSP is not added to the link-state database.
- C. The LSP's metric will be set to 65535.
- D. The LSP's metric will be set to 16777215.

Correct Answer: D

QUESTION 5

Which two statements are true about what a route reflector does by default when distributing routes it has received from reflector clients? (Choose two.)

- A. It does not change any received BGP attributes.
- B. It changes the default BGP attributes to inform peers that it is a route reflector.
- C. It sets the next hop of all routes to "self" to prevent routing loops.
- D. It adds its cluster ID to the client-received routes.

Correct Answer: AD

[JN0-663 VCE Dumps](#)

[JN0-663 Practice Test](#)

[JN0-663 Study Guide](#)