



# JN0-662<sup>Q&As</sup>

Service Provider Routing and Switching - Professional (JNCIP-SP)

**Pass Juniper JN0-662 Exam with 100% Guarantee**

Free Download Real Questions & Answers **PDF** and **VCE** file from:

<https://www.passapply.com/jn0-662.html>

100% Passing Guarantee  
100% Money Back Assurance

Following Questions and Answers are all new published by Juniper  
Official Exam Center

-  **Instant Download** After Purchase
-  **100% Money Back** Guarantee
-  **365 Days** Free Update
-  **800,000+** Satisfied Customers





### QUESTION 1

You are currently running BGP-based VPLS and Layer 3 VPNs. You are asked to consolidate the services and deploy EVPN to replace the VPLS and Layer 3 VPN deployments.

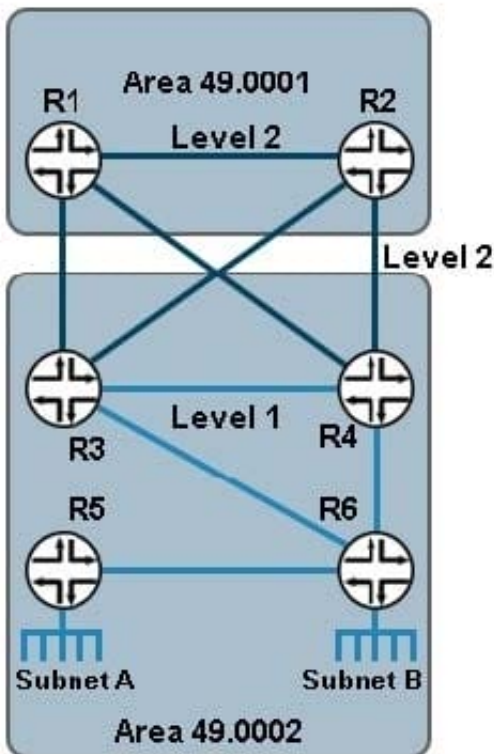
Which two EVPN route types will achieve this goal? (Choose two.)

- A. Type 5
- B. Type 4
- C. Type 2
- D. Type 7

Correct Answer: AC

### QUESTION 2

Click the Exhibit button.



R5 must advertise Subnet A into IS-IS so that Subnet A and Subnet B can communicate. Subnet B must be able to forward traffic to Subnet A and towards Area 49.0001. However, R5 should not be able to route traffic from Subnet A to Area 49.0001.



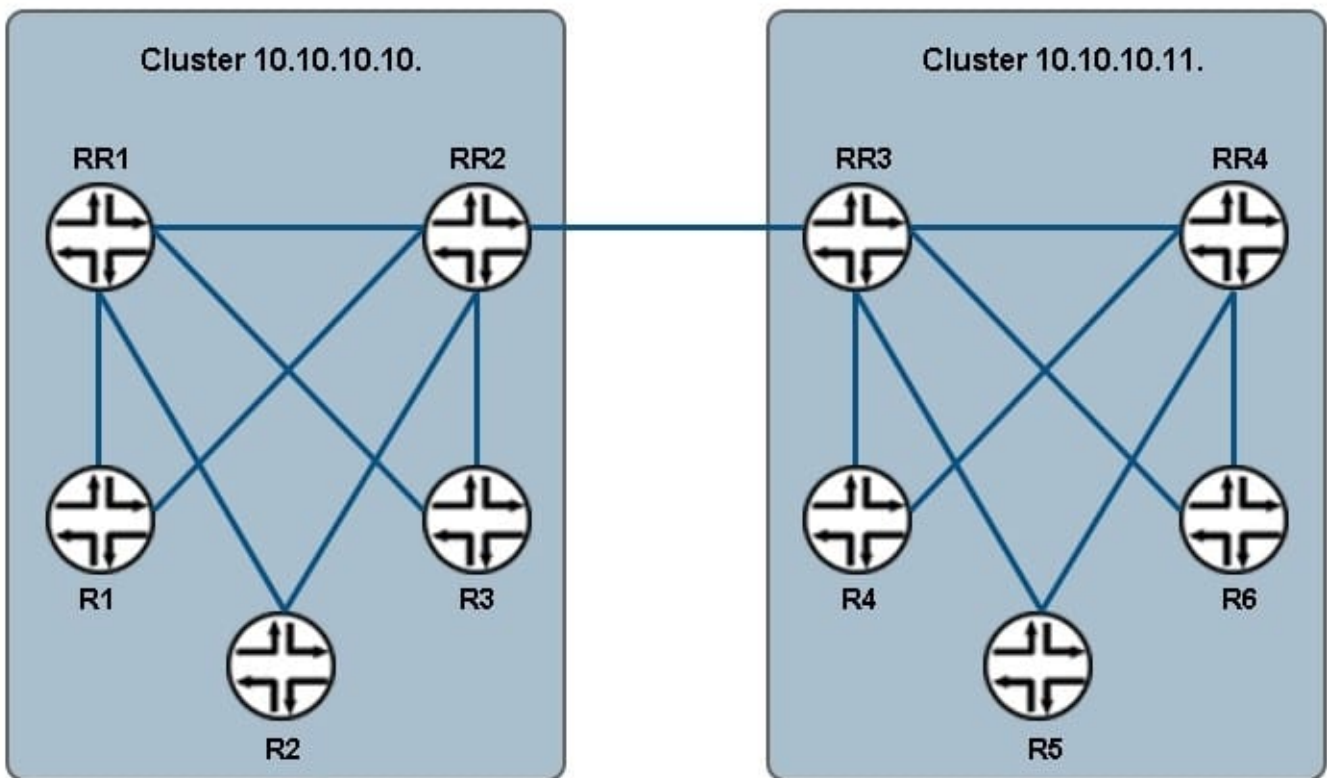
Referring to the exhibit, how would you solve this problem?

- A. Configure Level 2 on all links in Area 49.0002.
- B. Configure the set protocols isis ignore-attached-bit parameter on R5.
- C. Configure the set protocols isis overload parameter on R6.
- D. Configure an export policy on R6 to reject all routes except Subnet B towards R5.

Correct Answer: B

### QUESTION 3

Click the Exhibit button.



Referring to the exhibit, RR1-RR4 are route reflectors.

Which three routers would RR1 need to peer with if the no-client-reflect parameter has been configured? (Choose three.)

- A. R2
- B. R5
- C. RR4
- D. R6



E. R1

Correct Answer: ACE

---

#### QUESTION 4

Which two types of LSAs have a domain scope? (Choose two.)

- A. Type 7
- B. Type 2
- C. Type 10
- D. Type 5

Correct Answer: CD

---

#### QUESTION 5

You are configuring a BGP-signaled Layer 2 VPN service. Which two statements are true in this scenario? (Choose two.)

- A. RSVP-signaled LSPs are required.
- B. The family 12vpn auto-discovery-only parameter is required for BGP sessions.
- C. The family 12vpn signaling parameter is required for BGP sessions.
- D. RSVP-signaled or LDP-signaled LSPs may be used.

Correct Answer: CD

[Latest JN0-662 Dumps](#)

[JN0-662 Practice Test](#)

[JN0-662 Study Guide](#)