



JN0-662^{Q&As}

Service Provider Routing and Switching - Professional (JNCIP-SP)

Pass Juniper JN0-662 Exam with 100% Guarantee

Free Download Real Questions & Answers **PDF** and **VCE** file from:

<https://www.passapply.com/jn0-662.html>

100% Passing Guarantee
100% Money Back Assurance

Following Questions and Answers are all new published by Juniper
Official Exam Center

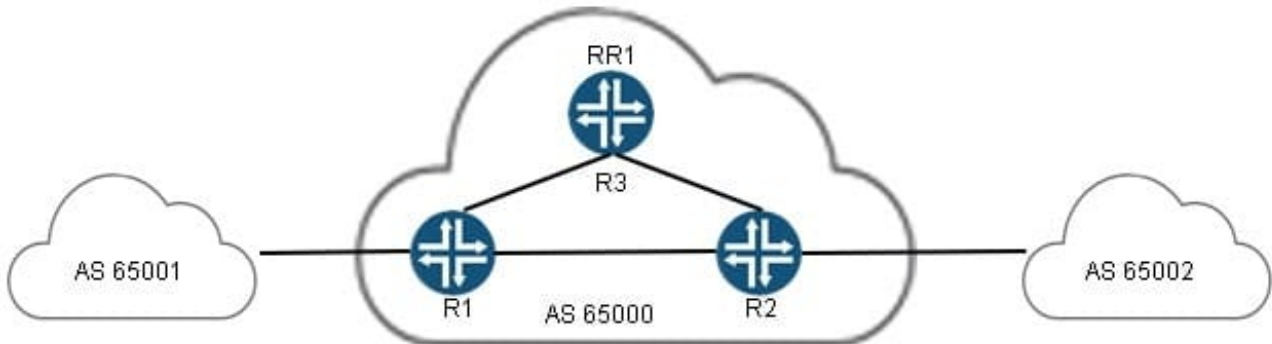
-  **Instant Download** After Purchase
-  **100% Money Back** Guarantee
-  **365 Days** Free Update
-  **800,000+** Satisfied Customers





QUESTION 1

Click the Exhibit button.



```
user@router# show protocols bgp
group route-reflector {
  type internal;
  local-address 10.1.1.1;
  export nhs;
  cluster 10.1.1.1;
  neighbor 10.1.1.2;
  neighbor 10.1.1.3;
}
user@router# show policy-options policy-statement nhs
term 1 {
  then {
    next-hop self;
  }
}
```

You administer AS 65000, and have deployed a route reflector (RR1) in your network as shown in the exhibit. The traffic between AS 65001 and AS 65002 is going through the route reflector, even though it is not the best path.

What will solve this problem?

- A. Change the LOCAL_PREF so that it uses the preferred path.
- B. Remove the nhs policy.
- C. Change the originator to be the preferred path.
- D. Change the IGP metric so it is lower on the preferred path.

Correct Answer: B

QUESTION 2

Which two LSA types are permitted in an OSPF stub area? (Choose two.)



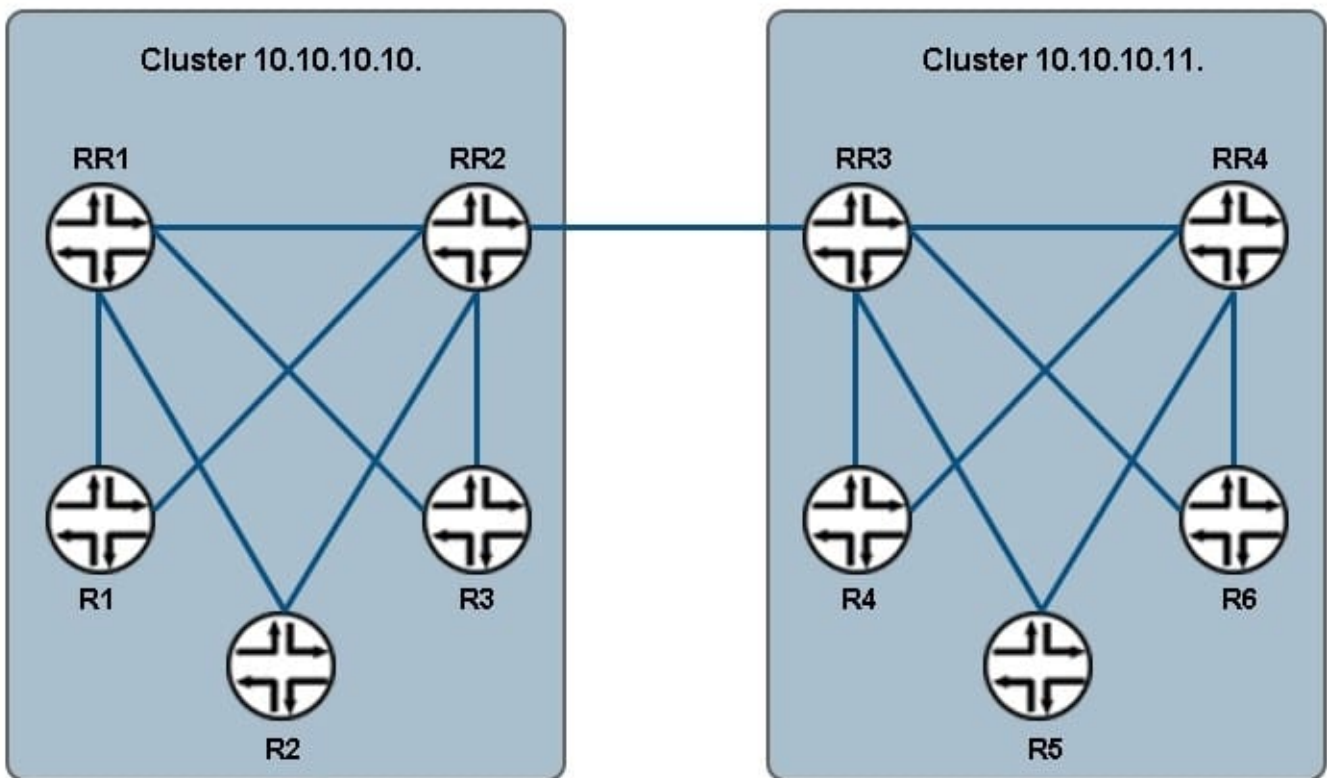
- A. Type 1
- B. Type 2
- C. Type 4
- D. Type 5

Correct Answer: AB

Stub areas can contain type 1, 2, and 3 LSAs. A default route is substituted for external routes.

QUESTION 3

Click the Exhibit button.



Referring to the exhibit, RR1-RR4 are route reflectors.

Which three routers would RR1 need to peer with if the no-client-reflect parameter has been configured? (Choose three.)

- A. R2
- B. R5
- C. RR4
- D. R6



E. R1

Correct Answer: ACE

QUESTION 4

Click the Exhibit button.

```
user@host> show ospf overview

Instance: master
  Router ID: 10.255.112.218
  Route table index: 0
  LSA refresh time: 50 minutes
  Traffic engineering
  Restart: Enabled
    Restart duration: 180 sec
    Restart grace period: 210 sec
    Graceful restart helper mode: Enabled
    Restart-signaling helper mode: Enabled
  Database protection state: Normal
    Warning threshold: 70 percent
    Non self-generated LSAs: Current 582, Warning 700, Allowed 1000
    Ignore time: 30, Reset time: 60
    Ignore count: Current 0, Allowed 1
  Area: 0.0.0.0
    Stub type: Not Stub
    Authentication Type: None
    Area border routers: 0, AS boundary routers: 0
  Neighbors
    Up (in full state): 160
  Topology: default (ID 0)
    Prefix export count: 0
    Full SPF runs: 70
    SPF delay: 0.200000 sec, SPF holddown: 5 sec, SPF rapid runs: 3
    Backup SPF: Not Needed
```

After an acquisition, a customer experiences OSPF flooding during network consolidation and the router is experiencing performance problems. Referring to the exhibit, which OSPF feature set should you add or modify to increase capacity?

- A. traffic engineering
- B. OSPF authentication
- C. Bidirectional Forwarding Detection
- D. database protection

Correct Answer: D



QUESTION 5

Click the Exhibit button.

```
user@R1# show routing-instances
vpn-a {
  instance-type 12vpn;
  interface ge-0/0/1.512;
  interface ge-0/0/1.513;
  route-distinguisher 192.168.1.1:1;
  vrf-import import-vpn-a;
  vrf-export export-vpn-a;
  protocols {
    12vpn {
      encapsulation-type ethernet-vlan;
      site CE-A {
        site-identifier 1;
        interface ge-0/0/1.512;
        interface ge-0/0/1.513;
      }
    }
  }
}
```

You have configured a BGP-signaled Layer 2 VPN with the configuration shown in the exhibit. Which two statements are true in this situation? (Choose two.)

- A. Remote site 1 is dual-homed.
- B. The local site is site ID 1.
- C. The route-distinguisher is in the wrong format.
- D. Interface ge-0/0/1.512 is connected to the local site

Correct Answer: AB

[Latest JN0-662 Dumps](#)

[JN0-662 VCE Dumps](#)

[JN0-662 Braindumps](#)