



JN0-649^{Q&As}

Enterprise Routing and Switching Professional (JNCIP-ENT)

Pass Juniper JN0-649 Exam with 100% Guarantee

Free Download Real Questions & Answers **PDF** and **VCE** file from:

<https://www.passapply.com/jn0-649.html>

100% Passing Guarantee
100% Money Back Assurance

Following Questions and Answers are all new published by Juniper
Official Exam Center

-  **Instant Download** After Purchase
-  **100% Money Back** Guarantee
-  **365 Days** Free Update
-  **800,000+** Satisfied Customers





QUESTION 1

Referring to the outputs shown in the exhibit, which two statements are correct about the IS-IS adjacency? (Choose two.)

```
user@R1> show isis adjacency extensive
R2
  Interface: ge-1/0/0.0, Level: 2, State: Up, Expires in 7 secs
  Priority: 64, Up/Down transitions: 1, Last transition: 00:02:19 ago
  Circuit type: 2, Speaks: IP, IPv6, MAC address: 4c:96:14:93:9a:96
  Topologies: Unicast
  Restart capable: Yes, Adjacency advertisement: Advertise
  LAN id: R2.02, IP addresses: 10.1.1.2
  Transition log:
  When                State      Event      Down reason
  Mon May 16 11:53:33  Up        Seenself
user@R2> show isis adjacency extensive
R1
  Interface: ge-1/0/1.0, Level: 2, State: Up, Expires in 20 secs
  Priority: 64, Up/Down transitions: 1, Last transition: 00:01:55 ago
  Circuit type: 3, Speaks: IP, IPv6, MAC address: 4c:96:14:93:9a:95
  Topologies: Unicast
  Restart capable: No, Adjacency advertisement: Advertise
  LAN id: R2.02, IP addresses: 10.1.1.1
  Transition log:
  When                State      Event      Down reason
  Mon May 16 11:53:33  Up        Seenself
```

- A. R1 is configured to participate in both Level 1 and Level 2.
- B. R2 is configured to participate in both Level 1 and Level 2.
- C. R1 is configured to participate in Level 2 only.
- D. R2 is configured to participate in Level 2 only.

Correct Answer: AD

QUESTION 2

Referring to the exhibit, which two statements are correct? (Choose two.)



```

user@DS-1> show spanning-tree interface
Spanning tree interface parameters for VLAN 10
Interface      Port ID      Designated      Designated      Port      State  Role
                port ID      port ID          bridge ID      Cost
ge-0/0/7.0     128:521      128:521         4106.0019e25173c0  20000  FWD   DESG
ge-0/0/8.0     128:523      128:523         4106.0019e25173c0  20000  FWD   DESG
ge-0/0/9.0     128:525      128:525         4106.0019e25173c0  20000  FWD   DESG
...
Spanning tree interface parameters for VLAN 20
Interface      Port ID      Designated      Designated      Port      State  Role
                port ID      port ID          bridge ID      Cost
ge-0/0/7.0     128:521      128:523         4116.0019e2551d40  20000  BLK   ALT
ge-0/0/8.0     128:523      128:521         4116.0019e2551d40  20000  FWD   ROOT
ge-0/0/9.0     128:525      128:525         4116.0019e2551d40  20000  BLK   ALT

```

- A. BPDUs from the root bridge for VLAN 10 have been received on the ge-0/0/7.0 interface.
- B. DS-1 is the root bridge for VLAN 10.
- C. BPDUs from the root bridge for VLAN 20 have been received on the ge-0/0/7.0 interface.
- D. Default VSTP bridge priority values are configured.

Correct Answer: AC

QUESTION 3

Which three statements are correct about EVPN route types? (Choose three.)

- A. Type 3 routes carry replication information.
- B. Type 2 routes carry endpoint MAC address information.
- C. Type 2 routes carry endpoint IP address information.
- D. Type 5 routes carry replication information.
- E. Type 1 routes carry endpoint MAC address information.

Correct Answer: ABC

Cisco explains it better: The EVPN control plane advertises the following types of information:

Route type 1 ?This is an Ethernet Auto-Discovery (EAD) route type used to advertise Ethernet segment identifier, Ethernet Tag ID, and EVPN instance information. EAD route advertisements may be sent for each EVPN instance or for each

Ethernet segment.

Route type 2 ?This advertises endpoint reachability information, including MAC and IP addresses of the endpoints or



VTEPs.

Route type 3 ?This performs multicast router advertisement, announcing the capability and intention to use ingress replication for specific VNIs.

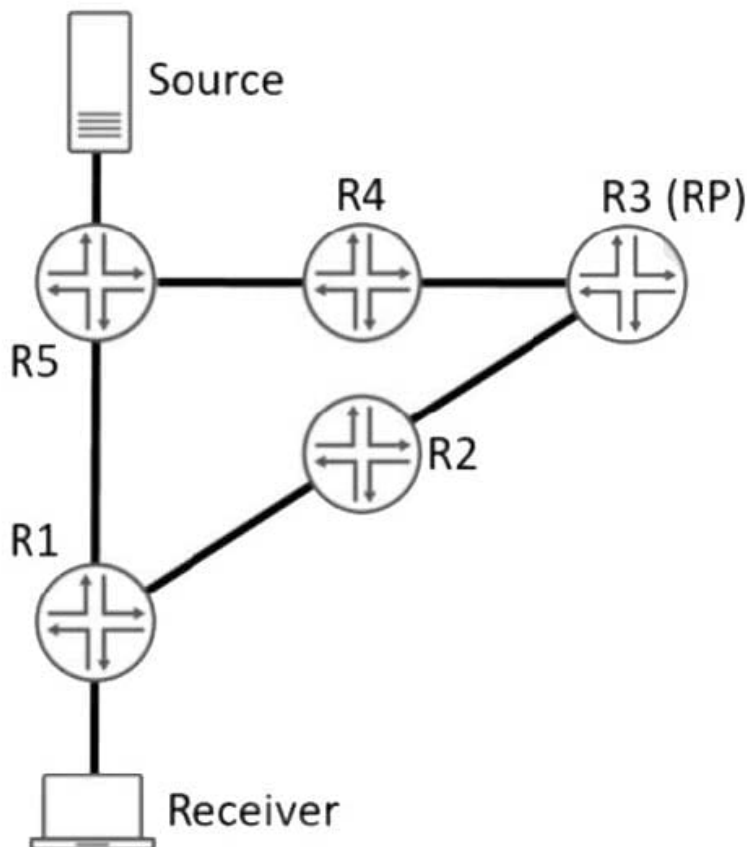
Route type 4 ?This is an Ethernet Segment route used to advertise the Ethernet segment identifier, IP address length, and the originating router's IP address.

Route type 5 ?This is an IP prefix route used to advertise internal IP subnet and externally learned routes to a VXLAN network.

QUESTION 4

Referring to the exhibit, a PIM-SM network is set up to enable communication between multicast devices.

Which two statements are true? (Choose two.)



- A. Before the formation of the rendezvous-point tree, a join message is sent from R1 to R3.
- B. Before the formation of the rendezvous-point tree, an IGMP is sent from the Receiver to R1.
- C. Before the formation of the rendezvous-point tree, an IGMP is sent from the Source to R5.
- D. Before the formation of the rendezvous-point tree, a join message is sent from R1 to R5.

Correct Answer: BC



QUESTION 5

You are deploying IP phones in your enterprise networks. When plugged in, the IP phones must automatically negotiate the power requirements for the new connection with the EX Series switches. In this scenario, which protocol should be used to enable this behavior?

- A. CDP
- B. MP-BGP
- C. LLDP-MED
- D. LLDP

Correct Answer: C

[JN0-649 PDF Dumps](#)

[JN0-649 Practice Test](#)

[JN0-649 Exam Questions](#)