



# JN0-647<sup>Q&As</sup>

Enterprise Routing and Switching Exam

**Pass Juniper JN0-647 Exam with 100% Guarantee**

Free Download Real Questions & Answers **PDF** and **VCE** file from:

<https://www.passapply.com/jn0-647.html>

100% Passing Guarantee  
100% Money Back Assurance

Following Questions and Answers are all new published by Juniper  
Official Exam Center

-  **Instant Download** After Purchase
-  **100% Money Back** Guarantee
-  **365 Days** Free Update
-  **800,000+** Satisfied Customers





## QUESTION 1

Click the Exhibit button.

```
user@R1> show ospf database extensive
OSPF link state database, area 0.0.0.100
Type      ID                Adv Rtr          Seq             Age      Opt   Cksum      Len
Router   10.100.1.1        10.100.1.1      0x8000531      166     0x22  0xfc35     36
Bits 0x2, link count 1
Id 10.100.0.2, data 10.100.0.1, Type Transit (2)
TOS count 0, TOS 0 metric 10
Aging timer 00:57:13
Installed 00:02:42 ago, expires in 00:57:14, sent 00:02:40 ago
Router 192.168.129.200 192.168.129.200 0x8000015a     548     0x2   0x517e     84
Bits 0x2, link count 5
Id 192.168.128.0, data 255.255.255.0, Type Stub (3)
TOS count 0, TOS 0 metric 1
Id 10.100.0.2, data 10.100.0.2, Type transit (2)
TOS count 0, TOS 0 metric 1
Id 10.100.2.1, data 10.100.2.1, Type transit (2)
TOS count 0, TOS 0 metric 1
Id 10.100.3.1, data 10.100.3.1, Type transit (2)
TOS count 0, TOS 0 metric 1
Id 192.168.129.0, data 255.255.255.0, Type Stub (3)
TOS count 0, TOS 0 metric 1
Aging timer 00:50:51
Installed 00:09:05 ago, expires in 00:50:52, sent 00:09:03 ago
Router *192.168.135.138 192.168.135.138 0x800001c3     2687    0x2   0x2b08     60
Bits 0x0, link count 3
Id 10.100.3.1, data 10.100.3.2, Type transit (2)
TOS count 0, TOS 0 metric 1
Id 10.100.2.1, data 10.100.2.2, Type transit (2)
TOS count 0, TOS 0 metric 1
Id 192.168.135.138, data 255.255.255.0, Type Stub (3)
TOS count 0, TOS 0 metric 0
Gen timer 00:05:12
Aging timer 00:15:12
Installed 00:44:47 ago, expires in 00:15:13, sent 00:44:45 ago
Ours
```

Referring to the exhibit, which statement is true?

- A. R1 is an ASBR.
- B. R1 has the B bit set.
- C. R1 is a backbone router.
- D. R1 is an ABR.



Correct Answer: A

---

### QUESTION 2

Computers on the network are assigned IP addresses from DHCP server based on the MAC address of the computer. The network administrator wants computers assigned to a VLAN using the computer's IP addresses, regardless of where the computers are plugged into the network.

In this scenario, which two statements are true? (Choose two.)

- A. The MAC RADIUS feature can query a RADIUS server to dynamically assign a VLAN to a host based on its MAC address.
- B. DHCP snooping can be enabled to determine with which VLAN a device should be associated when it receives an IP address.
- C. 802.1X authentication can query the DHCP server to identify the VLAN that a device should be assigned.
- D. 802.1X authentication can assign a VLAN to a device based on the user that is logged into the device.

Correct Answer: AD

---

### QUESTION 3

You configured static mode power management on an EX4300 to provide PoE power to telephone and access point equipment.

Which statement is correct regarding the PoE power budget?

- A. Power is budgeted to devices on a first come, first served basis as devices are connected.
- B. The power budgeted will be based on the device class connected to each port.
- C. Power is budgeted to a port even if no device is connected to the port.
- D. The power budgeted to ports will adjust to how much power a device actually uses.

Correct Answer: C

---

### QUESTION 4

Which two statements about VSTP on EX series switches are correct? (Choose two.)

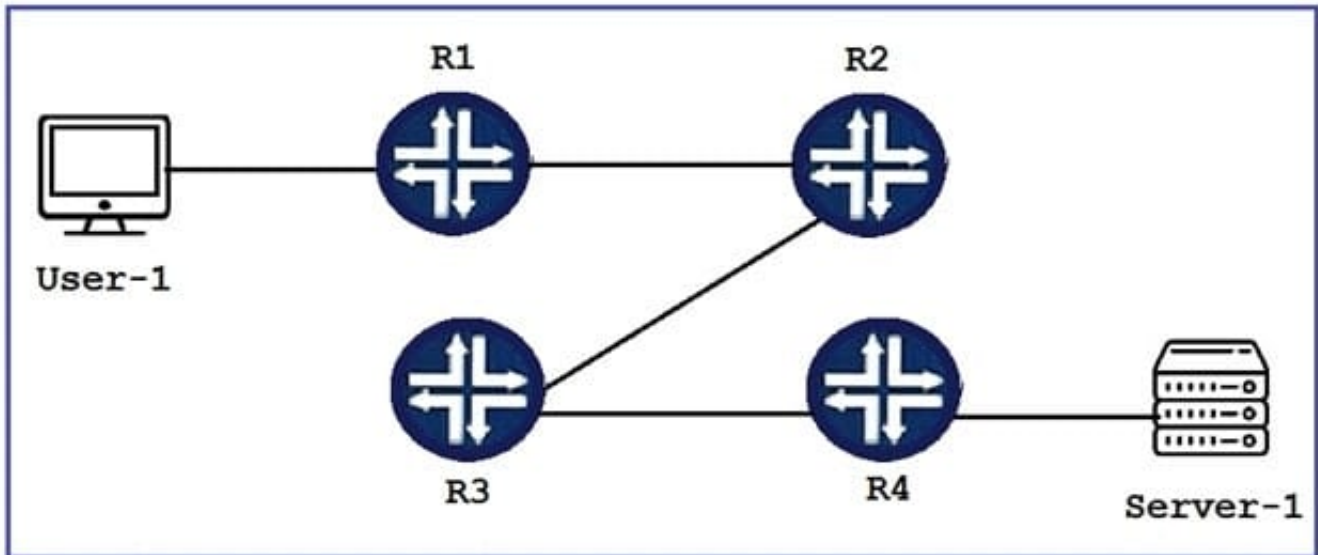
- A. All VLANs beyond the first 64 will not be supported by VSTP
- B. VSTP automatically assigns each VLAN to one spanning tree instances
- C. VSTP must be used to interoperate with MVRP
- D. VSTP must be used to interoperate with PVST+



Correct Answer: BD

### QUESTION 5

Click the Exhibit button.



Referring to the exhibit, traffic from User-1 is being forwarded to Server-1 with DSCP values that must be rewritten. You must maintain the rewritten DSCP values throughout the network.

Which statement is correct in this scenario?

- A. At a minimum, you must rewrite the DSCP values on R1.
- B. At a minimum, you must rewrite the DSCP values on R1 and R4.
- C. At a minimum, you must rewrite the DSCP values on R1, R2, and R3.
- D. At a minimum, you must rewrite the DSCP values on R4.

Correct Answer: AD

[JN0-647 VCE Dumps](#)

[JN0-647 Study Guide](#)

[JN0-647 Braindumps](#)