



# JN0-647<sup>Q&As</sup>

Enterprise Routing and Switching Exam

**Pass Juniper JN0-647 Exam with 100% Guarantee**

Free Download Real Questions & Answers **PDF** and **VCE** file from:

<https://www.passapply.com/jn0-647.html>

100% Passing Guarantee  
100% Money Back Assurance

Following Questions and Answers are all new published by Juniper  
Official Exam Center

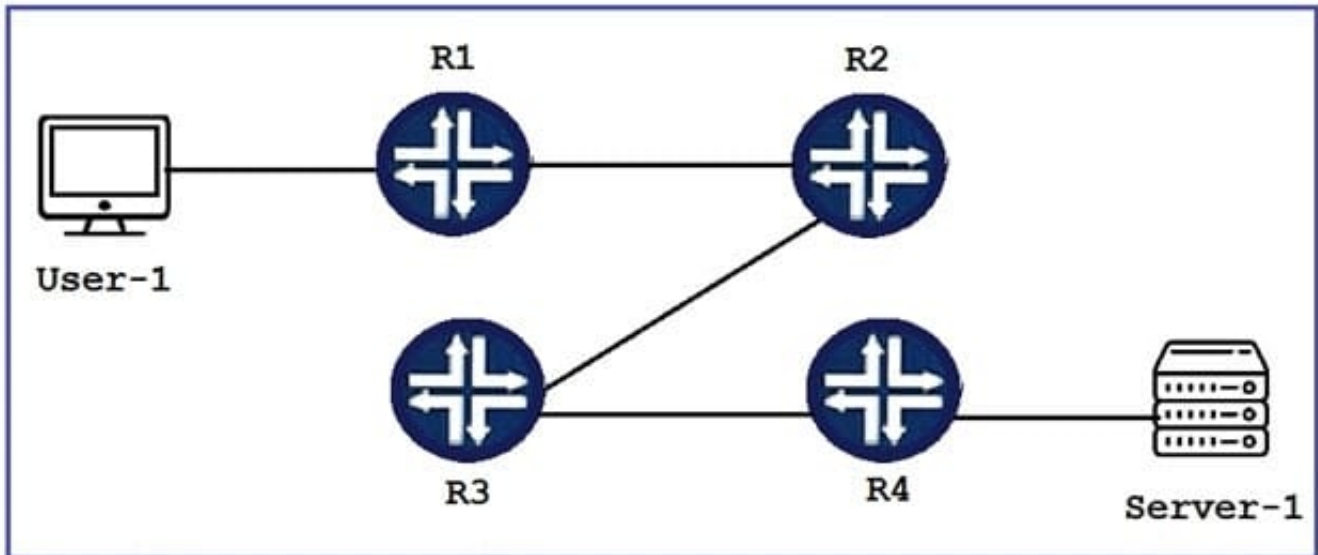
-  **Instant Download** After Purchase
-  **100% Money Back** Guarantee
-  **365 Days** Free Update
-  **800,000+** Satisfied Customers





### QUESTION 1

Click the Exhibit button.



Referring to the exhibit, traffic from User-1 is being forwarded to Server-1 with DSCP values that must be written. You must maintain the rewritten DSCP values throughout the network.

Which statement is correct in this scenario?

- A. At a minimum, you must rewrite the DSCP values on R1.
- B. At a minimum, you must rewrite the DSCP values on R1 and R4.
- C. At a minimum, you must rewrite the DSCP values on R1, R2, and R3.
- D. At a minimum, you must rewrite the DSCP values on R4.

Correct Answer: AD

### QUESTION 2

Your campus EX9200 core devices are highly oversubscribed on bandwidth and reporting massive dropped packets. To immediately address the issue, you decide to implement shaping on all interfaces.

Which action will accomplish?

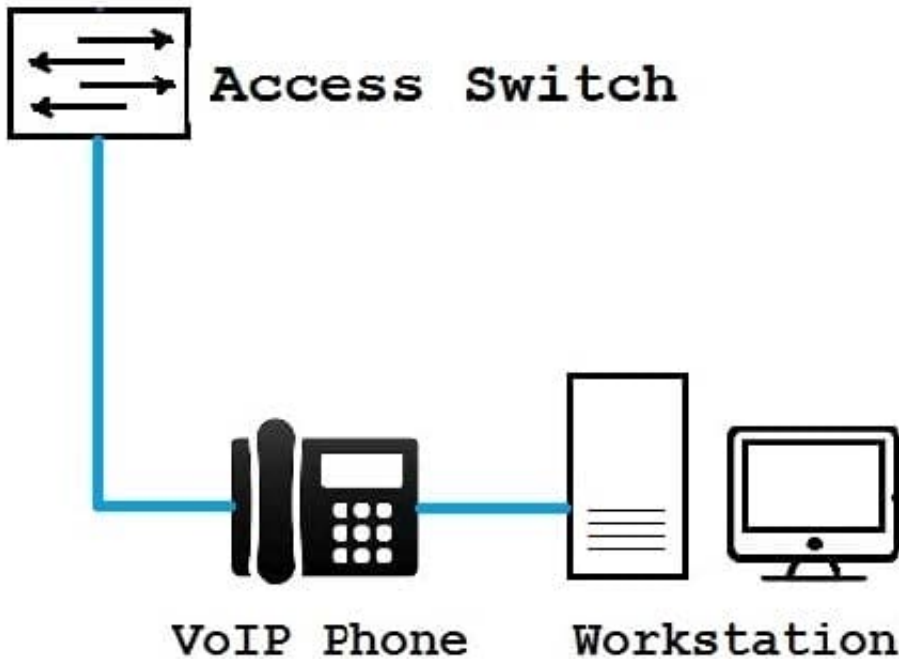
- A. Apply the input-shape-rate 5G parameter to all interfaces under the [edit class-of service] hierarchy.
- B. Define a CoS input traffic control profile with the shape-rate 5G parameter and apply it to all interfaces.
- C. Define a CoS output traffic control profile with the shape-rate 5G parameter and apply it to all interfaces.
- D. Apply the shape-rate 5G parameter to all interfaces under the [edit class-of service] hierarchy.]



Correct Answer: D

### QUESTION 3

Click the Exhibit button.



You have configured 802.1X single supplicant mode on the access switch. The VoIP phone does not support 802.1X authentication.

Referring to the exhibit, which statement is true?

- A. MAC bypass must be configured for the VoIP phone for this solution to work.
- B. Authentication must be changed to multiple supplicant mode for this solution to work.
- C. The VoIP phone will be able to communicate over the network after the workstation authenticates.
- D. The VoIP phone will not be able to communicate over the network.

Correct Answer: C

### QUESTION 4

Click the Exhibit.



```
user@switch> show configuration
  interfaces {
    ge-0/0/3 {
      unit 0 {
        proxy-arp unrestricted;
        family ethernet- switching;
```

A customer requires that the switch responds to an ARP request only if the source and target IP address are on different subnets.

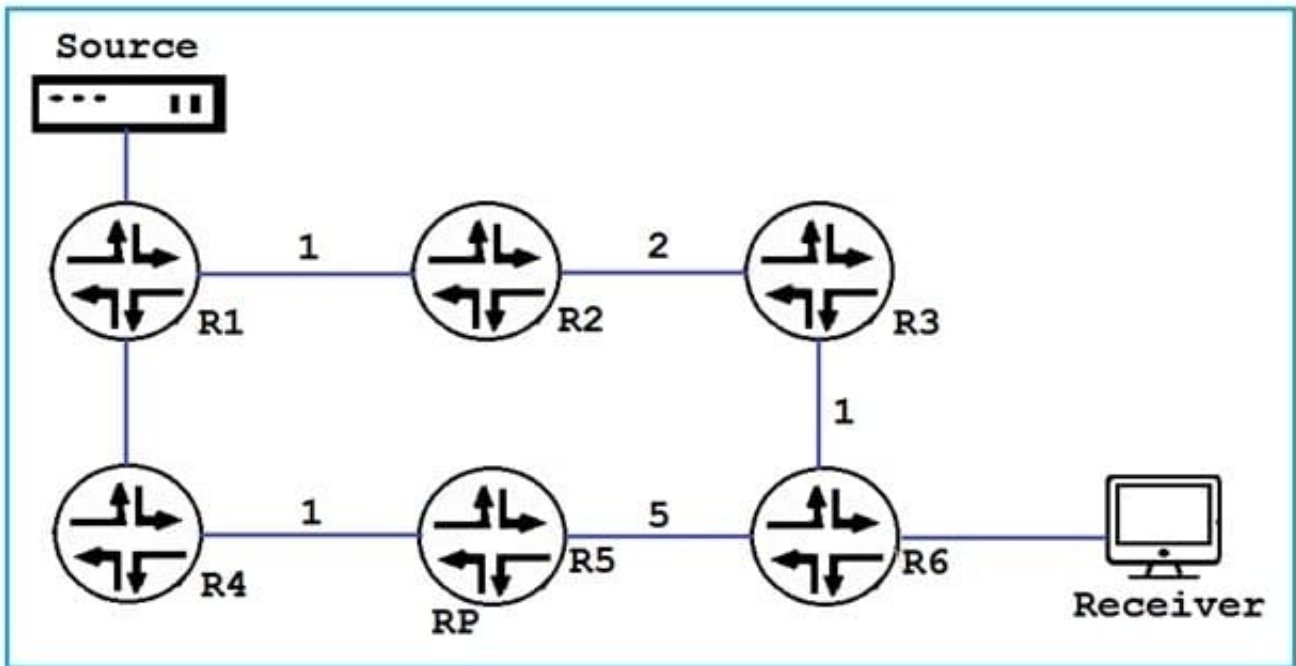
Referring to the Exhibit, how would you accomplish this task?

- A. Create a static ARP entry for the host.
- B. Enable the no-gratuitous-arp request command under the interface hierarchy.
- C. Remove the proxy ARP setting and clear the entry.
- D. Change the proxy ARP parameter setting to restricted.

Correct Answer: D

### QUESTION 5

Click the Exhibit button.



You have deployed Sparse Mode multicast in your network using the IGP metrics shown in the exhibit.

Which path will (\*, G) traffic follow from the source to the receiver before the (S, G) state is registered?



- A. Source, R1, R4, R5, R6, Receiver
- B. Source, R1, R2, R5, R2, R3, R6 Receiver
- C. Source, R1, R2, R3, R6, Receiver
- D. Source, R1, R2, R5, R6, Receiver

Correct Answer: B

[Latest JN0-647 Dumps](#)

[JN0-647 VCE Dumps](#)

[JN0-647 Braindumps](#)