



# JN0-647<sup>Q&As</sup>

Enterprise Routing and Switching Exam

**Pass Juniper JN0-647 Exam with 100% Guarantee**

Free Download Real Questions & Answers **PDF** and **VCE** file from:

<https://www.passapply.com/jn0-647.html>

100% Passing Guarantee  
100% Money Back Assurance

Following Questions and Answers are all new published by Juniper  
Official Exam Center

-  **Instant Download** After Purchase
-  **100% Money Back** Guarantee
-  **365 Days** Free Update
-  **800,000+** Satisfied Customers





### QUESTION 1

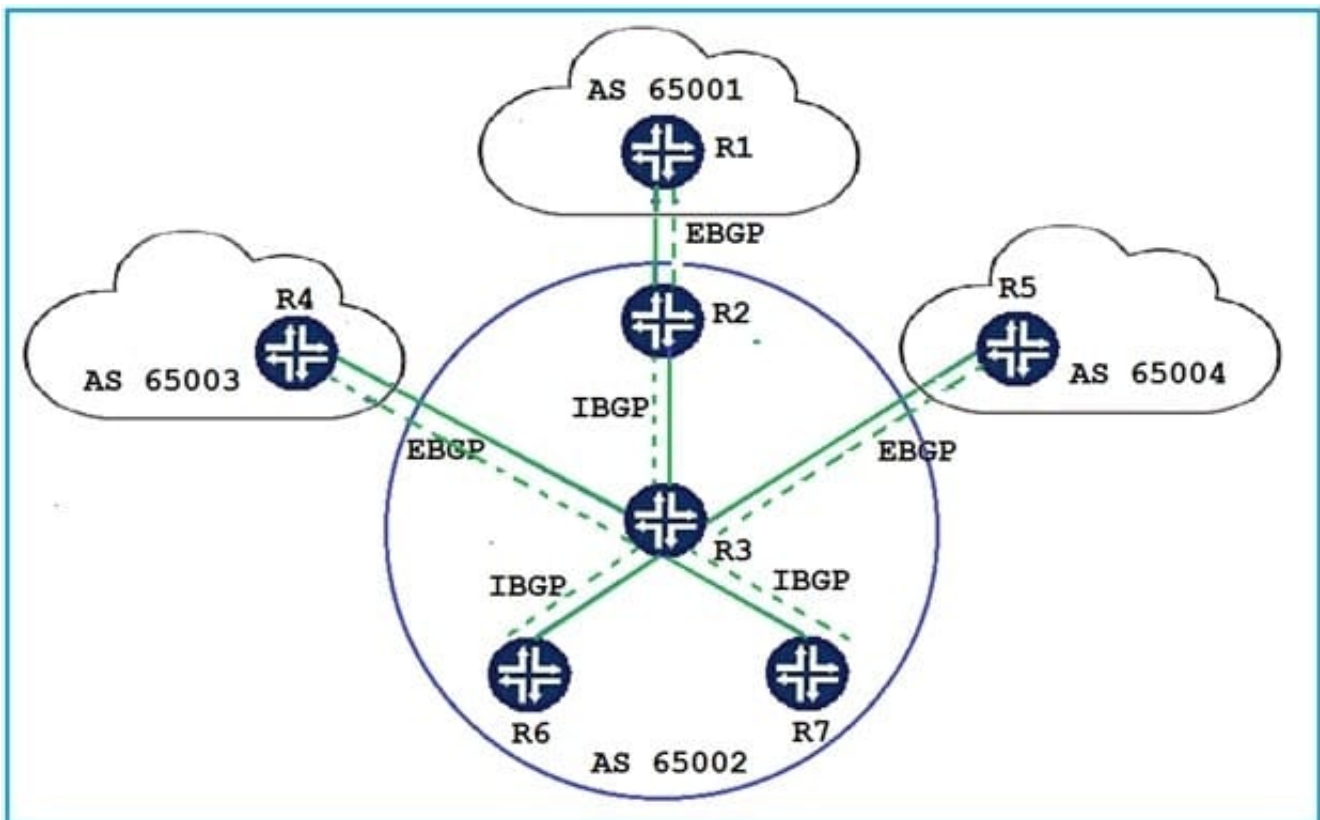
Which two statements are true about OSPFv3? (Choose two.)

- A. OSPFv3 packets are sent using local subnet addressing.
- B. OSPFv3 packets are sent using link local addressing.
- C. The authentication mechanisms in OSPFv3 are the same mechanisms used in OSPFv2.
- D. The authentication mechanisms from OSPFv2 are not present in OSPFv3.

Correct Answer: BD

### QUESTION 2

Click the Exhibit button.



Router R1, in peer AS 65001, advertises routes to R2 using EBGP. R2 advertises the routes learned from R1 to R3 using IBGP.

Referring to the exhibit, to which routers will R3 advertise the BGP routes received from R2?

- A. R6, R7
- B. R4, R5, R6, R7



C. R4, R5

D. R2, R4, R5, R6, R7

Correct Answer: C

### QUESTION 3

Which type of BGP is used to peer with a different autonomous system?

A. external

B. classless

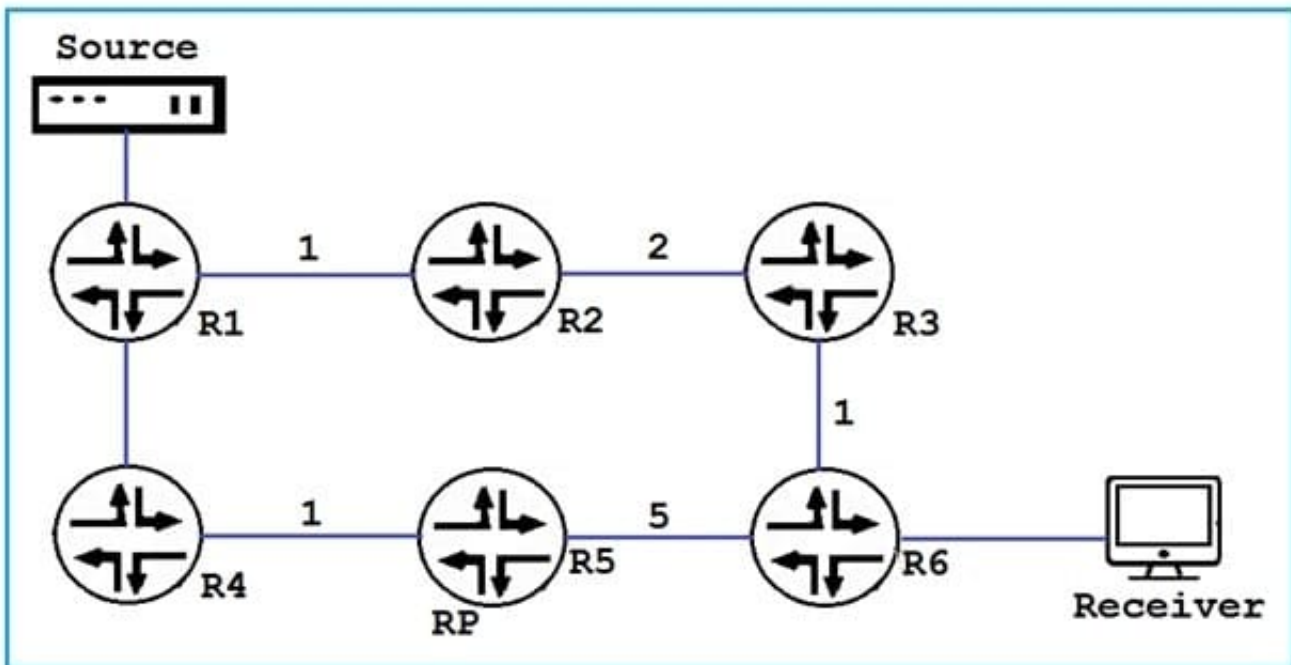
C. dynamic

D. static

Correct Answer: A

### QUESTION 4

Click the Exhibit button.



You have deployed Sparse Mode multicast in your network using the IGP metrics shown in the exhibit.

Which path will (\*, G) traffic follow from the source to the receiver before the (S, G) state is registered?

A. Source, R1, R4, R5, R6, Receiver



B. Source, R1, R2, R5, R2, R3, R6 Receiver

C. Source, R1, R2, R3, R6, Receiver

D. Source, R1, R2, R5, R6, Receiver

Correct Answer: B

---

#### QUESTION 5

Click the Exhibit button.



```
user@router> show route advertising-protocol bgp 10.254.32.2

inet.0: 1400327 destinations, 14000327 routes (1351350 active,
0 holddown, 1 hidden)
Prefix                Nexthop            MED   Lclpref        AS path
*1.5.5.5/32           Self               0     0               81 I

[edit]
user@router# show policy-options policy-statement export-to-as81
term 1 {
    from {
        route-filer 1.0.0.0/8 longer;
    }
    then accept
}
term 2 {
    then reject;
}

[edit]
user@router# show policy-options policy-statement reject-routes
term 1 {
    from {
        route-filter 1.0.0.0/8 exact;
    }
    then reject;
}

[edit]
user@router# show protocol bgp
export reject-routes;
group ebgp {
    export export-to-as81;
    peer-as 81;
    neighbor 10.254.32.2 {
        family inet {
            unicast;
        }
    }
}
```

You are asked to advertise the 1.0.0.0/8 and 1.5.5.5/32 routes to your 10.254.32.2 BGP peer.

Referring to the exhibit, which configuration change would satisfy this requirement?



- A. Remove the export-to- as81 policy.
- B. Change the export-to- as81 policy to or longer.
- C. Remove the reject-routes policy.
- D. Change the reject-routes policy to longer.

Correct Answer: B

[Latest JN0-647 Dumps](#)

[JN0-647 PDF Dumps](#)

[JN0-647 Study Guide](#)