



# JN0-636<sup>Q&As</sup>

Service Provider Routing and Switching Professional (JNCIP-SP)

## Pass Juniper JN0-636 Exam with 100% Guarantee

Free Download Real Questions & Answers **PDF** and **VCE** file from:

<https://www.passapply.com/jn0-636.html>

100% Passing Guarantee  
100% Money Back Assurance

Following Questions and Answers are all new published by Juniper  
Official Exam Center

-  **Instant Download** After Purchase
-  **100% Money Back** Guarantee
-  **365 Days** Free Update
-  **800,000+** Satisfied Customers





### QUESTION 1

Your Source NAT implementation uses an address pool that contains multiple IPv4 addresses. Your users report that when they establish more than one session with an external application, they are prompted to authenticate multiple times. External hosts must not be able to establish sessions with internal network hosts.

What will solve this problem?

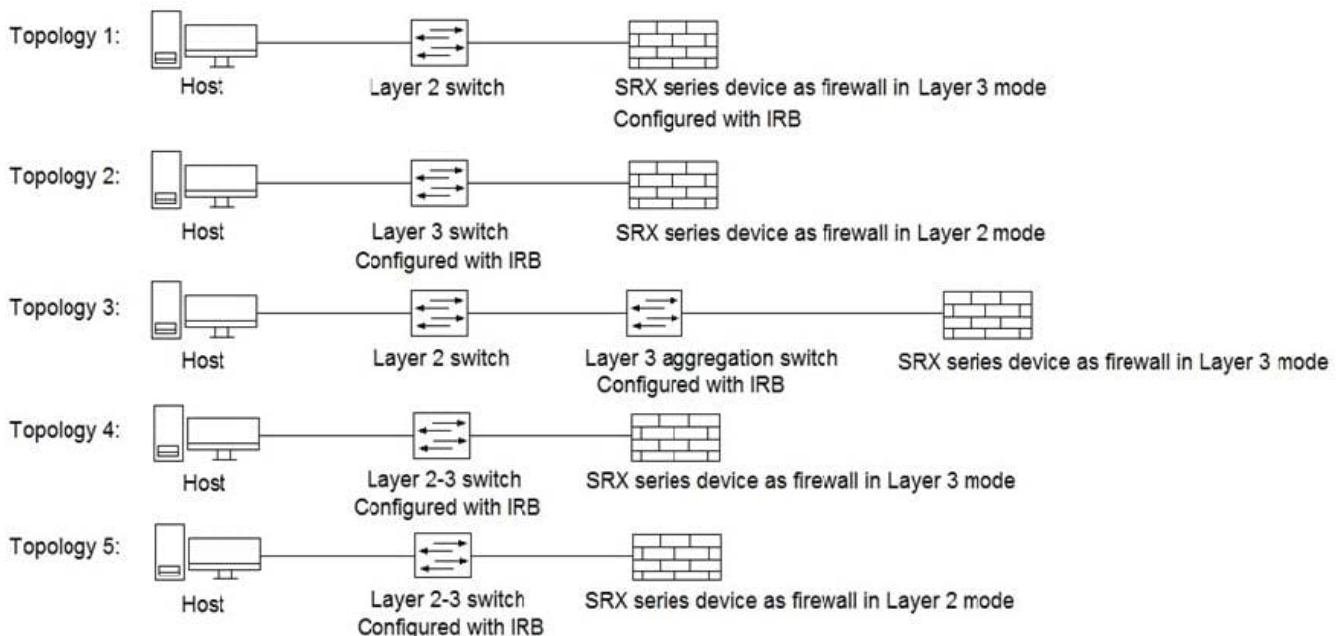
- A. Disable PAT.
- B. Enable destination NAT.
- C. Enable persistent NAT.
- D. Enable address persistence.

Correct Answer: D

Explanation: The solution to this problem is to enable address persistence. This will ensure that the same external IP address is used for multiple sessions between an internal host and an external host. This will result in only one authentication being required, as the same external IP address will be used for all sessions.

### QUESTION 2

Click the Exhibit button.



Referring to the exhibit, which three topologies are supported by Policy Enforcer? (Choose three.)

- A. Topology 3
- B. Topology 5



- C. Topology 2
- D. Topology 4
- E. Topology 1

Correct Answer: ADE

Reference: [https://www.juniper.net/documentation/en\\_US/junos-space17.2/policy-enforcer/topics/concept/policy-enforcer-deployment-supported-topologies.html](https://www.juniper.net/documentation/en_US/junos-space17.2/policy-enforcer/topics/concept/policy-enforcer-deployment-supported-topologies.html)

---

### QUESTION 3

All interfaces involved in transparent mode are configured with which protocol family?

- A. mpls
- B. bridge
- C. inet
- D. ethernet -- switching

Correct Answer: B

Explanation: In transparent mode, all interfaces involved are configured with the bridge protocol family. This allows the SRX device to act as a bridge between the interfaces and forward traffic transparently without any modification. The bridge interfaces can be configured to forward traffic based on layer 2 headers, such as MAC addresses, without the need for routing or IP addressing.

---

### QUESTION 4

You are asked to configure a security policy on the SRX Series device. After committing the policy, you receive the "Policy is out of sync between RE and PFE ." error.

Which command would be used to solve the problem?

- A. request security polices resync
- B. request service-deployment
- C. request security polices check
- D. restart security-intelligence

Correct Answer: A

[https://kb.juniper.net/InfoCenter/index?page=content&id=KB30443&cat=SRX\\_SERIES&act=p=LIST](https://kb.juniper.net/InfoCenter/index?page=content&id=KB30443&cat=SRX_SERIES&act=p=LIST)

---

### QUESTION 5



You are connecting two remote sites to your corporate headquarters site; you must ensure that all traffic is secured and only uses a single Phase 2 SA for both sites.

In this scenario, which VPN should be used?

- A. An IPsec group VPN with the corporate firewall acting as the hub device.
- B. Full mesh IPsec VPNs with tunnels between all sites.
- C. A hub-and-spoke IPsec VPN with the corporate firewall acting as the hub device.
- D. A full mesh Layer 3 VPN with the corporate firewall acting as the hub device.

Correct Answer: A

Explanation: <https://www.juniper.net/us/en/local/pdf/app-notes/3500202-en.pdf>

[Latest JN0-636 Dumps](#)

[JN0-636 PDF Dumps](#)

[JN0-636 VCE Dumps](#)