



JN0-635^{Q&As}

Security, Professional

Pass Juniper JN0-635 Exam with 100% Guarantee

Free Download Real Questions & Answers **PDF** and **VCE** file from:

<https://www.passapply.com/jn0-635.html>

100% Passing Guarantee
100% Money Back Assurance

Following Questions and Answers are all new published by Juniper
Official Exam Center

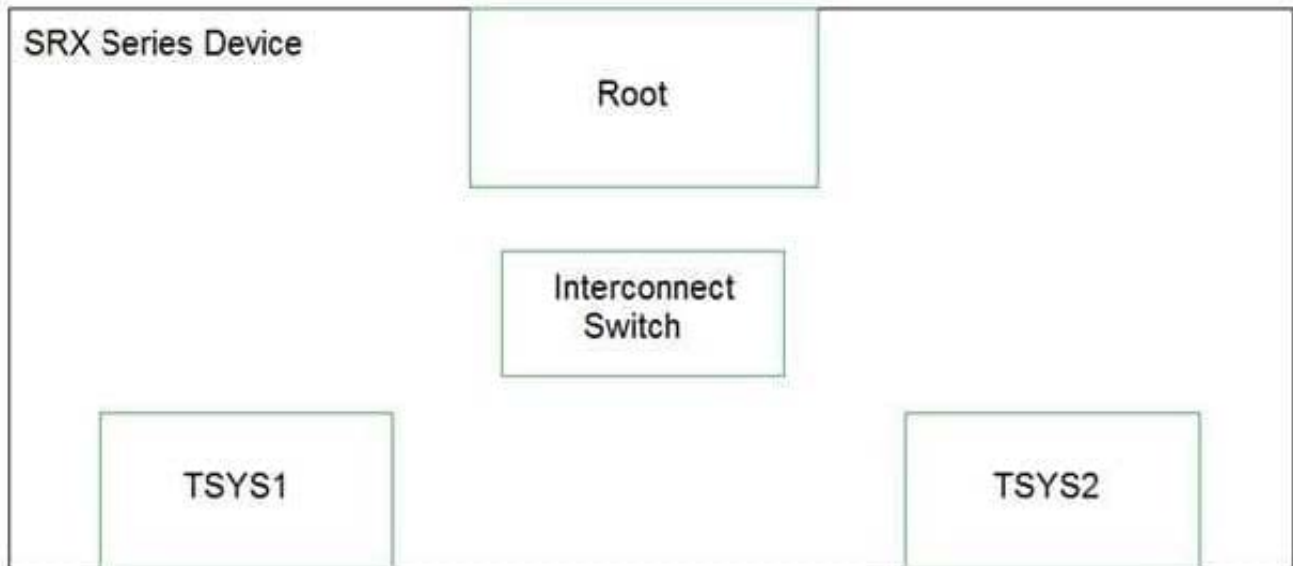
-  **Instant Download** After Purchase
-  **100% Money Back** Guarantee
-  **365 Days** Free Update
-  **800,000+** Satisfied Customers





QUESTION 1

Click the Exhibit button.



You have configured tenant systems on your SRX Series device.

Referring to the exhibit, which two actions should you take to facilitate inter-TSYS communication? (Choose two.)

- A. Place the logical tunnel interfaces in a virtual router routing instance in the interconnect switch
- B. Place the logical tunnel interfaces in a VPLS routing instance in the interconnect switch
- C. Connect each TSYS with the interconnect switch by configuring INET configured logical tunnel interfaces in the interconnect switch
- D. Connect each TSYS with the interconnect switch by configuring Ethernet VPLS configured logical tunnel interfaces in the interconnect switch

Correct Answer: AC

QUESTION 2

Click the Exhibit button.



```
user@host# show system security-profile
production-profile {
  zone {
    maximum 10;
    reserved 5;
  }
  logical-system [ ACME WILEY ];
}
development-profile {
  zone {
    maximum 7;
    reserved 0;
  }
  logical-system [ IT-design security ];
}
master-profile {
  zone {
    maximum 40;
    reserved 17;
  }
  root-logical-system;
}
```

Referring to the exhibit, what is the maximum number of zones that are able to be created within all logical systems?

- A. 74
- B. 34
- C. 40
- D. 17

Correct Answer: C

QUESTION 3

You have noticed a high number of TCP-based attacks directed toward your primary edge device. You are asked to configure the IDP feature on your SRX Series device to block this attack. Which two IDP attack objects would you configure to solve this problem? (Choose two.)

- A. Network
- B. Signature
- C. Protocol anomaly
- D. host



Correct Answer: BC

QUESTION 4

You have designed the firewall filter shown in the exhibit to limit SSH control traffic to yours SRX Series device without affecting other traffic.

Which two statement are true in this scenario? (Choose two.)

- A. The filter should be applied as an output filter on the loopback interface.
- B. Applying the filter will achieve the desired result.
- C. Applying the filter will not achieve the desired result.
- D. The filter should be applied as an input filter on the loopback interface.

Correct Answer: CD

Reference: https://www.juniper.net/documentation/en_US/junos/topics/concept/firewall-filter-ex-series-evaluationunderstanding.html

QUESTION 5

Click the Exhibit button.

```
user@srx-1> show security ipsec next-hop-tunnels
```

Next-hop gateway	interface	IPsec VPN name	Flag	XAUTH-USERNAME
10.10.10.2	st0.0	srx1-to-srx2	Auto	Not-Available
10.10.10.3	st0.0	srx1-to-srx3	Auto	Not-Available
10.10.10.4	st0.0	srx1-to-srx4	Auto	Not-Available

Which statement is correct regarding the information show in the exhibit?

- A. The tunnel binding was discovered automatically
- B. The output is for an ADVPN
- C. The tunnel gateway address was automatically discovered
- D. The tunnel is not encrypting the traffic

Correct Answer: B

Reference: https://www.juniper.net/documentation/en_US/junos/topics/reference/command-summary/show-security-ipsec-next-hop-tunnels.html