



JN0-635^{Q&As}

Security, Professional

Pass Juniper JN0-635 Exam with 100% Guarantee

Free Download Real Questions & Answers **PDF** and **VCE** file from:

<https://www.passapply.com/jn0-635.html>

100% Passing Guarantee
100% Money Back Assurance

Following Questions and Answers are all new published by Juniper
Official Exam Center

-  **Instant Download** After Purchase
-  **100% Money Back** Guarantee
-  **365 Days** Free Update
-  **800,000+** Satisfied Customers





QUESTION 1

Click the Exhibit button.



```
user@hq# show security ike
...
gateway ike_gtw-branch {
  ike-policy ike-policy-branch;
  dynamic hostname branch.abc.com;
  external-interface ge-0/0/0;
  local-address 203.0.113.1;
}
```

The IKE policy and proposal are configured properly on both devices as shown in the exhibit. Which configuration snippet will complete the IKE configuration on the branch SRX Series device?



- A. [edit security ike]
user@srx# show gateway ike_gtw_hq
ike-policy ike-policy-hq;
dynamic hostname branch.abc.com;
external-interface ge-0/0/0;
local-address 203.0.113.2;
- B. [edit security ike]
user@srx# show gateway ike_gtw_hq
ike-policy ike-policy-hq;
dynamic hostname hq.abc.com;
external-interface ge-0/0/0;
local-address 203.0.113.2;
- C. [edit security ike]
user@srx# show gateway ike_gtw_hq
ike-policy ike-policy-hq;
local-identity hostname hq.abc.com;
external-interface ge-0/0/0;
local-address 203.0.113.2;
- D. [edit security ike]
user@srx# show gateway ike_gtw_hq
ike-policy ike-policy-hq;
local-identity hostname branch.abc.com;
external-interface ge-0/0/0;
local-address 203.0.113.2;

A. Option A

B. Option B

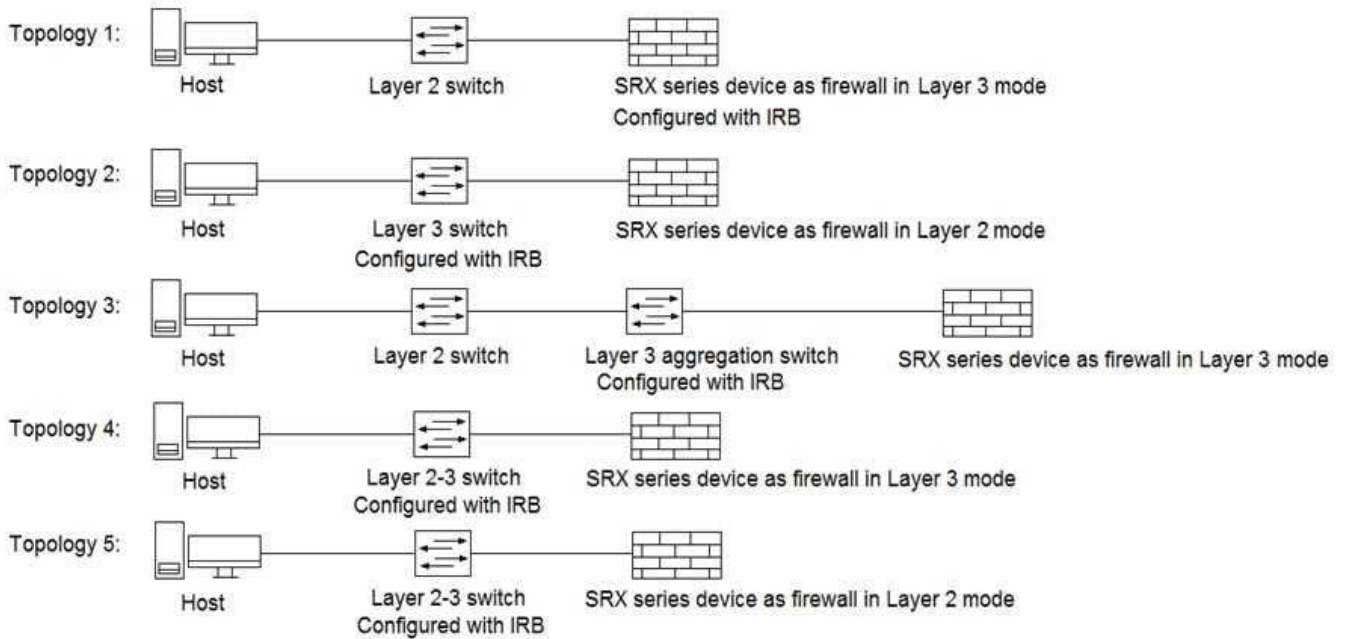
C. Option C

D. Option D

Correct Answer: D

QUESTION 2

Click the Exhibit button.



Referring to the exhibit, which three topologies are supported by Policy Enforcer? (Choose three.)

- A. Topology 3
- B. Topology 5
- C. Topology 2
- D. Topology 4
- E. Topology 1

Correct Answer: ADE

Reference: https://www.juniper.net/documentation/en_US/junos-space17.2/policy-enforcer/topics/concept/policy-enforcer-deployment-supported-topologies.html

QUESTION 3

Click the Exhibit button.



```
user@host# show system security-profile
production-profile {
  zone {
    maximum 10;
    reserved 5;
  }
  logical-system [ ACME WILEY ];
}
development-profile {
  zone {
    maximum 7;
    reserved 0;
  }
  logical-system [ IT-design security ];
}
master-profile {
  zone {
    maximum 40;
    reserved 17;
  }
  root-logical-system;
}
```

Referring to the exhibit, what is the maximum number of zones that are able to be created within all logical systems?

- A. 74
- B. 34
- C. 40
- D. 17

Correct Answer: C

QUESTION 4

In a Juniper ATP Appliance, what would be a reason for the mitigation rule to be in the failed-remove state?

- A. The Juniper ATP Appliance received a commit error message from the SRX Series device
- B. The Juniper ATP Appliance received an unknown error message from the SRX Series device
- C. The Juniper ATP Appliance was not able to communicate with the SRX Series device
- D. The Juniper ATP Appliance was not able to obtain the config lock

Correct Answer: D



Reference: https://www.juniper.net/documentation/en_US/release-independent/jatp/topics/topic-map/jatpmitigation-and-reporting.html

QUESTION 5

Which three type of peer devices are supported for Cos-Based IPsec VPN?

- A. High-end SRX Series device
- B. cSRX
- C. vSRX
- D. Branch-end SRX Series devices

Correct Answer: ACD

[JN0-635 PDF Dumps](#)

[JN0-635 VCE Dumps](#)

[JN0-635 Study Guide](#)