



JN0-348^{Q&As}

Enterprise Routing and Switching, Specialist

Pass Juniper JN0-348 Exam with 100% Guarantee

Free Download Real Questions & Answers **PDF** and **VCE** file from:

<https://www.passapply.com/jn0-348.html>

100% Passing Guarantee
100% Money Back Assurance

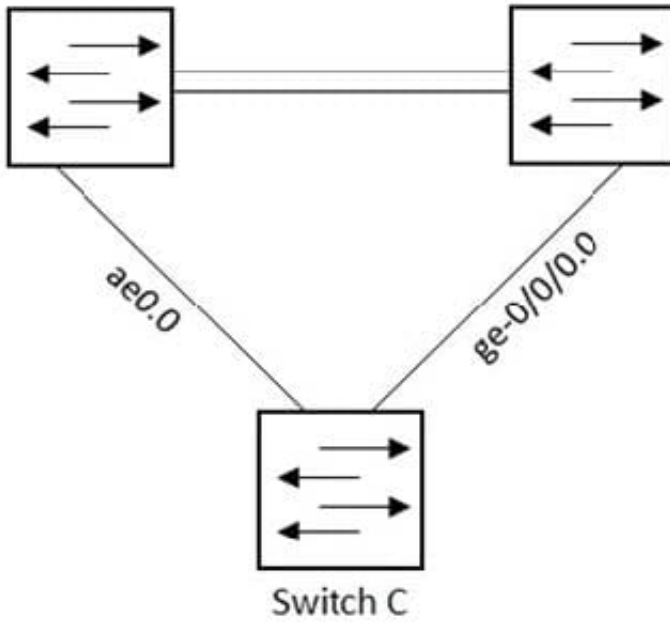
Following Questions and Answers are all new published by Juniper
Official Exam Center

-  **Instant Download** After Purchase
-  **100% Money Back** Guarantee
-  **365 Days** Free Update
-  **800,000+** Satisfied Customers





QUESTION 1



Referring to the exhibit, which configuration will force traffic to always use ae0.0 as long as it is active?



- A.
- ```
user@switchC# show switch-options
redundant-trunk-group {
 group rtg1 {
 interface ge-0/0/0.0;
 interface ae0.0 {
 minimum-links 2;
 }
 }
}
```
- B.
- ```
user@switchC# show switch-options
redundant-trunk-group {
  group rtg1 {
    interface ge-0/0/0.0 {
      priority200;
    }
    interface ae0.0 {
      priority 254;
    }
  }
}
```
- C.
- ```
user@switchC# show switch-options
redundant-trunk-group {
 group rtg1 {
 interface ge-0/0/0.0;
 interface ae0.0 {
 primary;
 }
 }
}
```
- D.
- ```
user@switchC# show switch-options
redundant-trunk-group {
  group rtq1 {
    interface ge-0/0/0.0 {
      track {
        interface ae0.0;
      }
    }
    interface ae0.0;
  }
}
```

A. B. C. D.

Correct Answer: C



QUESTION 2

What is the default BGP group type on a Junos device?

- A. internal
- B. external
- C. multihop
- D. null

Correct Answer: B

QUESTION 3

Click the Exhibit button

```
[edit protocols rstp]
user@switch# show
bridge-priority 8k;
interface ge-0/0/10 {
    disable;
}
interface ge-0/0/13 {
    cost 20000;
    mode point-to-point;
}
```

Referring to the exhibit, which two statements are correct? (Choose two.)

- A. The ge-0/0/10 interface will not participate in the RSTP topology.
- B. The ge-0/0/13 interface will be selected as the forwarding interface.
- C. This device must be selected as the root bridge.
- D. The ge-0/0/10 interface will be part of the RSTP topology but will block incoming BPDUs.

Correct Answer: AB

QUESTION 4



How many bytes of overhead forms an IP-IP tunnel add to a packet?

- A. 20 bytes
- B. 24 bytes
- C. 28 bytes
- D. 14 bytes

Correct Answer: A

QUESTION 5

Click the Exhibit button.

```
[edit protocols isis]
user@router-1# show
level 2 disable;
level 1 wide-metrics-only;
interface all;
```

```
[edit protocols isis]
user@router-2# show
level 1 disable;
interface all;
```

Referring to the exhibit, what will be the IS-IS adjacency result of the configurations?

- A. No IS-IS adjacencies will form.
- B. A level 1 and level 2 IS-IS adjacency will form.
- C. A level 2 IS-IS adjacency will form.
- D. A level 1 IS-IS adjacency will form.

Correct Answer: A