



JN0-1302^{Q&As}

Data Center Design Specialist (JNCDS-DC)

Pass Juniper JN0-1302 Exam with 100% Guarantee

Free Download Real Questions & Answers **PDF** and **VCE** file from:

<https://www.passapply.com/jn0-1302.html>

100% Passing Guarantee
100% Money Back Assurance

Following Questions and Answers are all new published by Juniper
Official Exam Center

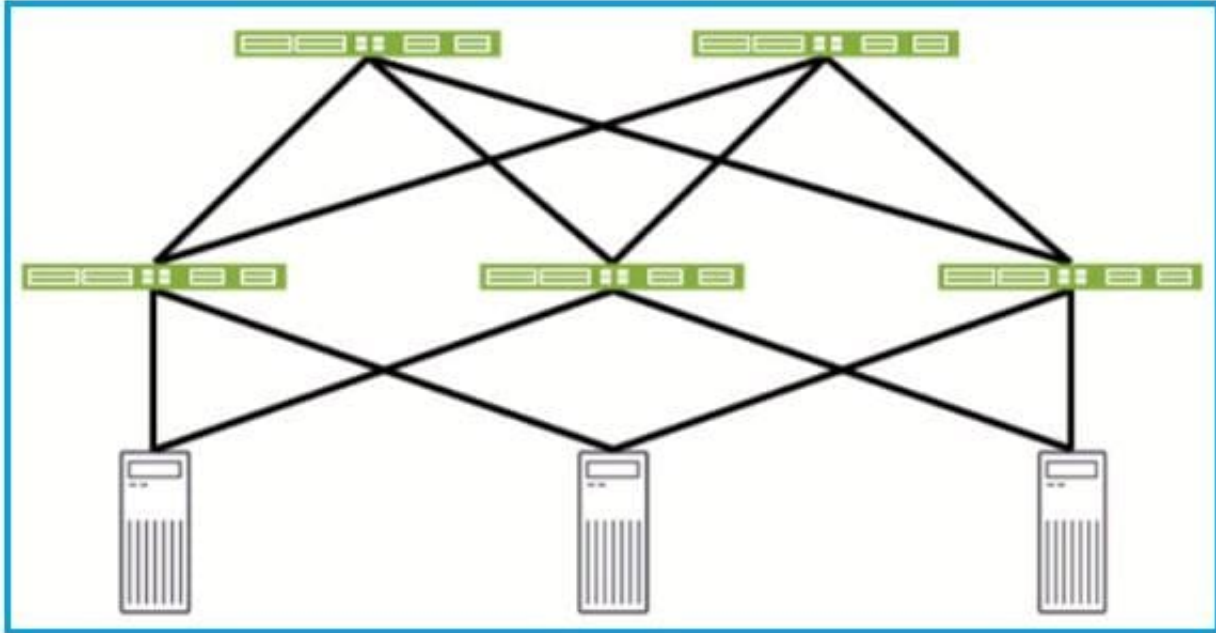
-  **Instant Download** After Purchase
-  **100% Money Back** Guarantee
-  **365 Days** Free Update
-  **800,000+** Satisfied Customers





QUESTION 1

Click the Exhibit button.



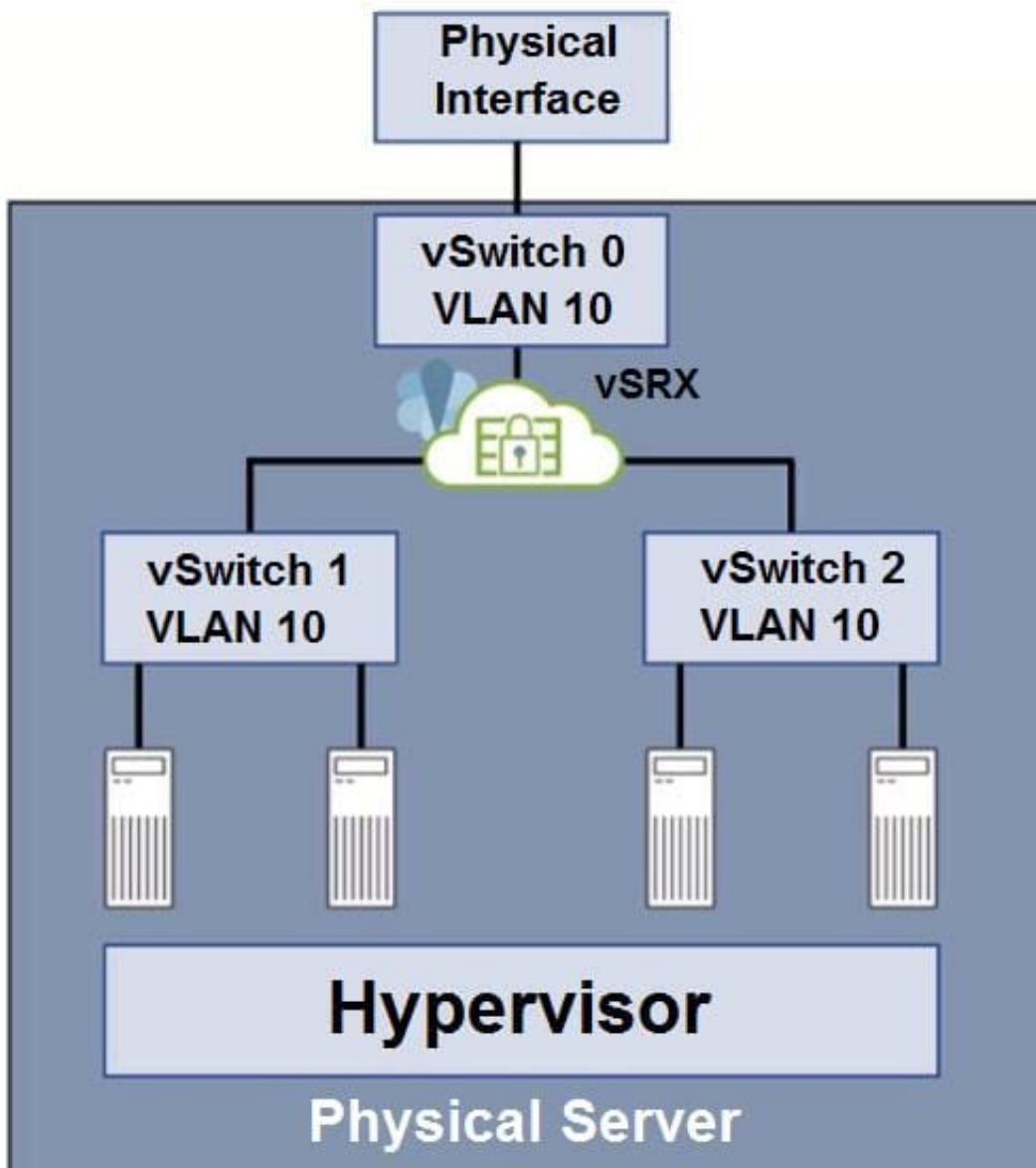
Referring to the exhibit, what should you do to increase high availability?

- A. Deploy MC-LAG between the access layer and the servers.
- B. Deploy MC-LAG between the distribution layer and the access layer.
- C. Deploy a chassis cluster at the access layer.
- D. Deploy a Virtual Chassis at the distribution layer.

Correct Answer: B

QUESTION 2

Click the Exhibit button.



Referring to the exhibit, which two statements are true? (Choose two.)

- A. The vSRX is performing microsegmentation.
- B. The vSRX is working in routed mode.
- C. The vSRX is not performing microsegmentation.
- D. The vSRX is working in transparent mode.

Correct Answer: AD

QUESTION 3

You are asked to design a solution for your data center EVPN/VXLAN fabric that will allow connectivity for all of your service platforms, such as firewalls and load balancers into a dedicated pair of border leaf devices.



Which three Juniper Networks platforms would support this requirement? (Choose three.)

- A. MX Series
- B. QFX5120 Series
- C. SRX Series
- D. EX4300-MP Series
- E. QFX10000 Series

Correct Answer: ABC

QUESTION 4

You must implement Layer 4 security services between VMs that are hosted on the same server. You require a low footprint with Docker support.

In this scenario, which Juniper Networks product would you deploy?

- A. vSRX
- B. cRPD
- C. cSRX
- D. QFX

Correct Answer: C

QUESTION 5

You are developing an automation strategy and have been given the requirements below.

The tool chosen must be supported by multiple vendors.

The tool chosen must not install a client on the networking devices.

The tool chosen must support open standards communication methods.

Which tool satisfies the requirements?

- A. Ansible
- B. SLAX
- C. Chef
- D. Puppet

Correct Answer: A



VCE & PDF

PassApply.com

<https://www.passapply.com/jn0-1302.html>

2024 Latest passapply JN0-1302 PDF and VCE dumps Download

[JN0-1302 PDF Dumps](#)

[JN0-1302 Study Guide](#)

[JN0-1302 Braindumps](#)