



JN0-1302^{Q&As}

Data Center Design Specialist (JNCDS-DC)

Pass Juniper JN0-1302 Exam with 100% Guarantee

Free Download Real Questions & Answers **PDF** and **VCE** file from:

<https://www.passapply.com/jn0-1302.html>

100% Passing Guarantee
100% Money Back Assurance

Following Questions and Answers are all new published by Juniper
Official Exam Center

-  **Instant Download** After Purchase
-  **100% Money Back** Guarantee
-  **365 Days** Free Update
-  **800,000+** Satisfied Customers





QUESTION 1

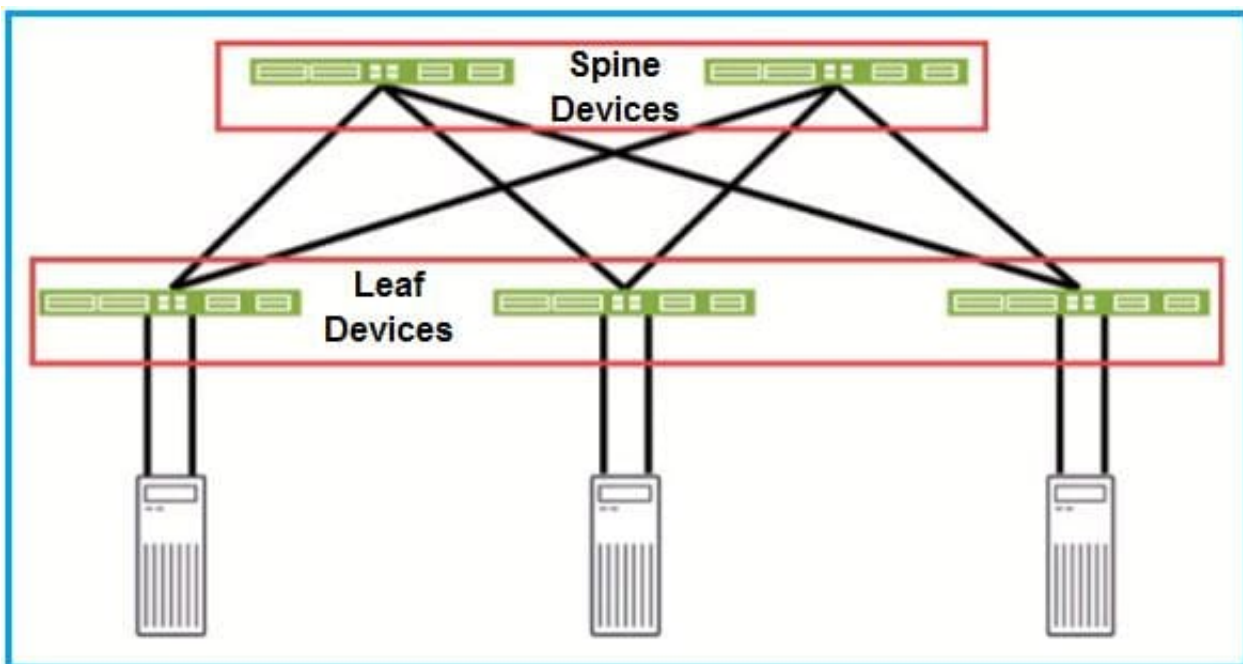
Which three statements about Contrail Networking are true? (Choose three.)

- A. It is used to service chain network functions.
- B. It is used to program physical network functions.
- C. It is used to virtualize and program networks.
- D. It is used to virtualize and program compute.
- E. It is used to create distributed cloud storage.

Correct Answer: ACE

QUESTION 2

Click the Exhibit button.



Referring to the exhibit, which two statements are true? (Choose two.)

- A. You should use CoS multifield classifiers for traffic leaving the leaf devices and going to the spine devices.
- B. You should use CoS BA classifiers for traffic leaving the spine devices and going to the leaf devices.
- C. You should use CoS multifield classifiers for traffic coming into the leaf devices from the servers.
- D. You should use CoS BA classifiers for traffic coming into the spine devices from the leaf devices.

Correct Answer: AB



QUESTION 3

You are designing a Data Center Interconnect (DCI). You must ensure that the local PE learns the local MAC addresses and then distributes these learned MAC addresses to the remote PEs using the control plane.

In this scenario, which DCI solution will satisfy the requirements?

- A. Ethernet VPN
- B. CCC
- C. BGP Layer 2 VPNs
- D. BGP Layer 2 circuits

Correct Answer: C

QUESTION 4

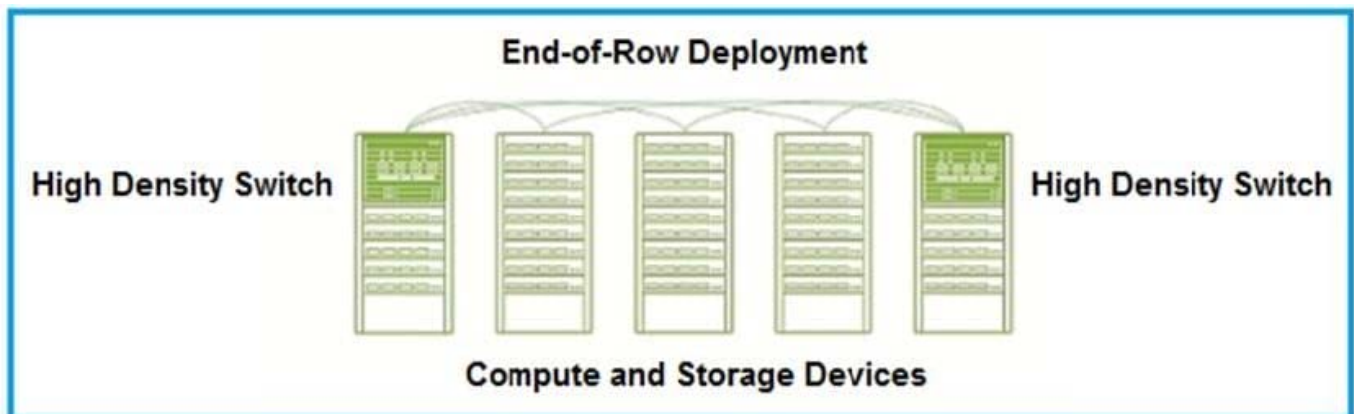
Which two features add NGFW capabilities to a traditional security device? (Choose two.)

- A. IPS
- B. UTM
- C. IP filters
- D. NAT

Correct Answer: BC

QUESTION 5

Click the Exhibit button.





Given the physical layout of the data center shown in the exhibit, which two statements are correct? (Choose two.)

- A. A single access tier exists for an entire row of servers.
- B. Each rack is managed as a single unit within the data center.
- C. Cable run lengths are minimized.
- D. The layout requires minimal uplinks.

Correct Answer: AB

[Latest JN0-1302 Dumps](#)

[JN0-1302 Study Guide](#)

[JN0-1302 Braindumps](#)