



VCE & PDF

PassApply.com

<https://www.passapply.com/integration-architecture-designer.html>
2024 Latest passapply INTEGRATION-ARCHITECTURE-DESIGNER PDF and
VCE dumps Download

INTEGRATION-ARCHITECTURE- DESIGNER^{Q&As}

Salesforce Certified Integration Architecture Designer

**Pass Salesforce INTEGRATION-ARCHITECTURE-
DESIGNER Exam with 100% Guarantee**

Free Download Real Questions & Answers **PDF** and **VCE** file from:

<https://www.passapply.com/integration-architecture-designer.html>

100% Passing Guarantee
100% Money Back Assurance

Following Questions and Answers are all new published by Salesforce
Official Exam Center



VCE & PDF

PassApply.com

<https://www.passapply.com/integration-architecture-designer.html>
2024 Latest passapply INTEGRATION-ARCHITECTURE-DESIGNER PDF and
VCE dumps Download

- ⚙️ **Instant Download** After Purchase
- ⚙️ **100% Money Back** Guarantee
- ⚙️ **365 Days** Free Update
- ⚙️ **800,000+** Satisfied Customers





QUESTION 1

Universal Containers has built an integration using the SOAP API to load records from a back-office system into Salesforce. The records created in the back-office system must be loaded into Salesforce in almost real time, so a custom module was written to identify CRUD events in the back-office system and perform sync with Salesforce. UC has several other systems that integrate with Salesforce through the SOAP API using separate integration users.

What is a risk involved with this sort of integration?

- A. Too many concurrent sessions
- B. Reaching an API call limit.
- C. Reaching a logins per Day limit.
- D. Too many record-lock errors

Correct Answer: B

QUESTION 2

Universal Containers is a global financial company that sells financial products and services. There is a daily scheduled Batch Apex job that generates invoice from a given set of orders. UC requested building a resilient integration for this batch apex job in case the invoice generation fails.

What should an integration architect recommend to fulfill the requirement?

- A. Build Batch Retry and Error Handling in the Batch Apex Job itself.
- B. Batch Retry and Error Handling report to monitor the error handling.
- C. Build Batch Retry and Error Handling using BatchApexErrorEvent.
- D. Build Batch Retry and Error Handling in the middleware.

Correct Answer: C

QUESTION 3

Universal Containers (UC) is currently managing a custom monolithic web service that runs on an on-premise server.

This monolithic web service is responsible for Point-to-Point (P2P) integrations between:

1.
Salesforce and a legacy billing application



2.

Salesforce and a cloud-based Enterprise Resource Planning application

3.

Salesforce and a data lake.

UC has found that the tight interdependencies between systems is causing integrations to fail.

What should an architect recommend to decouple the systems and improve performance of the integrations?

- A. Re-write and optimize the current web service to be more efficient.
- B. Leverage modular design by breaking up the web service into smaller pieces for a microservice architecture.
- C. Use the Salesforce Bulk API when integrating back into Salesforce.
- D. Move the custom monolithic web service from on-premise to a cloud provider.

Correct Answer: B

QUESTION 4

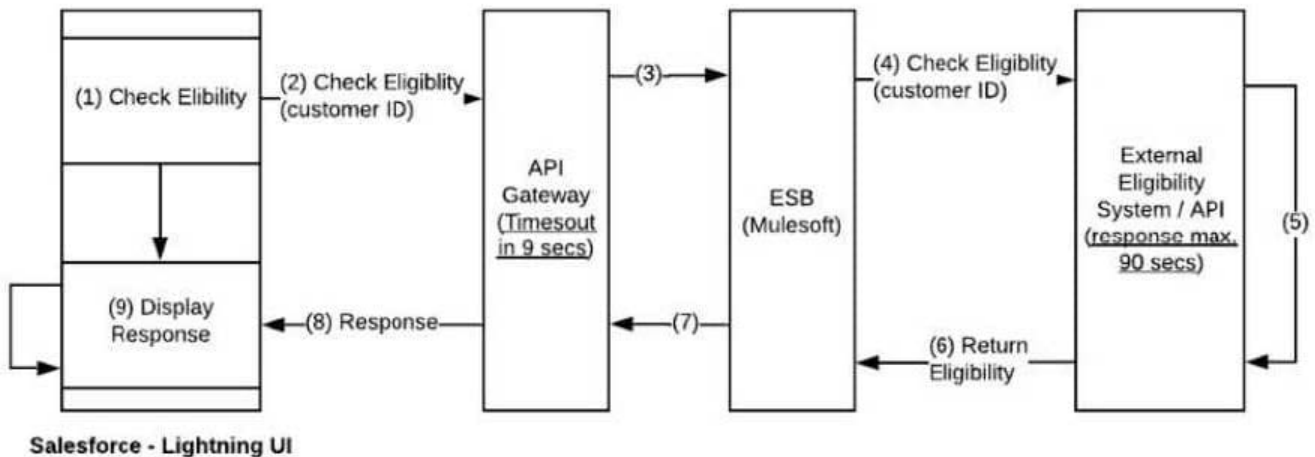
Which two options should be considered to permit automatic retry of failed updates when loading data into Salesforce?
Choose 2 answers

- A. Bulk API with serial option.
- B. Standard API with parallel option.
- C. Bulk API with parallel option.
- D. Standard API with serial option.

Correct Answer: AC

QUESTION 5

An enterprise architect has requested the Salesforce Integration architect to review the following (see diagram and description) and provide recommendations after carefully considering all constraints of the enterprise systems and Salesforce platform limits.



About 3,000 phone sales agents use a Salesforce Lightning UI concurrently to check eligibility of a customer for a qualifying offer.

There are multiple eligibility systems that provides this service and are hosted externally. However, their current response times could take up to 90 seconds to process and return (there are discussions to reduce the response times in future, but no commitments are made).

These eligibility systems can be accessed through APIs orchestrated via ESB (MuleSoft).

All requests from Salesforce will have to traverse through customer's API Gateway layer and the API

Gateway imposes a constraint of timing out requests after 9 seconds.

Which three recommendations should be made? Choose 3 answers

- A. ESB (Mule) with cache/state management to return a requestID (or) response if available from external system.
- B. Recommend synchronous Apex call-outs from Lightning UI to External Systems via Mule and implement polling on API gateway timeout.
- C. Use Continuation callouts to make the eligibility check request from Salesforce from Lightning UI at page load.
- D. When responses are received by Mule, create a Platform Event in Salesforce via Remote-Call-In and use the empAPI in the lightning UI to serve 3,000 concurrent users.
- E. Implement a 'Check Update' button that passes a requestID received from ESB (user action needed).

Correct Answer: ACE

[Latest INTEGRATION-ARCHITECTURE-DESIGNER Dumps](#)

[INTEGRATION-ARCHITECTURE-DESIGNER VCE Dumps](#)

[INTEGRATION-ARCHITECTURE-DESIGNER Exam Questions](#)