



# HPE6-A80<sup>Q&As</sup>

Aruba Certified Design Expert Written

**Pass HP HPE6-A80 Exam with 100% Guarantee**

Free Download Real Questions & Answers **PDF** and **VCE** file from:

<https://www.passapply.com/hpe6-a80.html>

100% Passing Guarantee  
100% Money Back Assurance

Following Questions and Answers are all new published by HP Official Exam Center

-  **Instant Download** After Purchase
-  **100% Money Back** Guarantee
-  **365 Days** Free Update
-  **800,000+** Satisfied Customers





### QUESTION 1

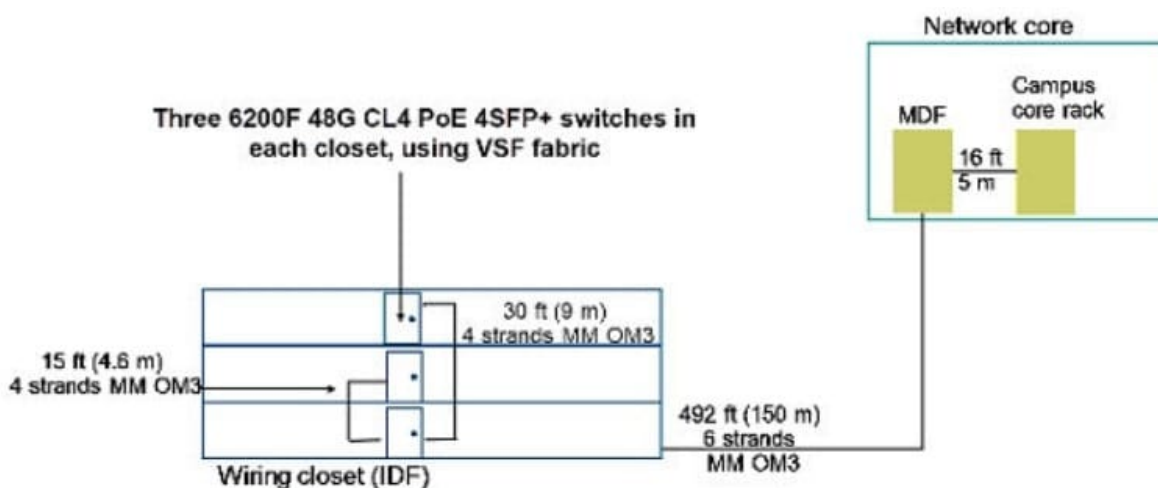
What is one benefit that Airwave provides to customers in the 8.x OS network?

- A. profiling of wired and wireless client behavior and detection when the behavior varies from the baseline
- B. in-depth analytics oT mobile device presence and APIs to make this data available to other applications
- C. a central UI from which to manage all of the Mobility Controllers (MCs)
- D. ability to monitor the status and operation of the complete network over time

Correct Answer: A

### QUESTION 2

Refer to the exhibit.



A customer needs a wired upgrade for a building on its main campus. The exhibit shows the switches that the architect has selected for each closet and the existing cabling. The customer is not open to changing the cabling.

The customer requires link redundancy for the uplinks from each closet and for the links from the building to the core. In non-link failure situations, the uplinks from each closet must support at least 20Gbps, and the building as a whole must have at least 20 Gbps to the core in non-link failure situations. Which two options for connecting the closets to the network core are valid? (select two.)

- A. Connect the Floor 2 switch stack to Floor 1 with two fiber connections, DO the same for Floor 3. connect the Floor 1 switch stack to the network core with two fiber connections.
- B. Connect the switch stack on each floor directly to the network core on two "fiber connections per floor. Achieve this by patching the inter-floor fiber through to the inter- building fiber.
- C. Combine the nine switches on the three floors into a single switch stack with the MM OM3 fiber cables in a ring topology. Connect two Floor 1 members to the network core with one fiber connection each.
- D. Combine the nine switches on all three floors into a single switch stack with stacking cables in a ring topology.



Connect two Floor f members to the network core with one fiber connection each

E. Add two aggregation switches in the Floor 1 closet. Connect the switch stack for each closet to the aggregation switches on two fiber links each and the aggregation switches to the core on two fiber links.

Correct Answer: BE

---

### QUESTION 3

A mall requires a wireless network upgrade to 802.11n. The company that owns the mall wants to provide the APs for the entire mall. However, several of the larger national chain retailers with spaces in the mall want to offer wireless services with their own SSIDs. These individual retailers also have their own wireless guest services and wireless client devices. They have their own corporate infrastructure and want to handle all of this wireless traffic on their own, including terminating the traffic on their own controllers. The mall requires redundancy for its services, but the retailers do not.

Which plan for mobility controllers (MCs) and mobility master (MM) meets the needs of this scenario?

- A. a pair of MMs for the mall company, but not MCs: MMs control one MC for each retailer with its own SSIDs
- B. two MCs for the mall company and for all of the retailers, both controlled by the same pair of MMs
- C. two MCs for the mall company controlled by a pair of MMs; one standalone MC for each retailer with its own SSIDs
- D. two MCs for the mall company and one MC for each retailer with its own SSIDs, all controlled by the same pair of MMs

Correct Answer: A

---

### QUESTION 4

A retailer wants to add a wireless network to its stores to provide guest access. The store has wired POS systems which the customer will now replace with wireless systems.

The APs will be installed on the ceilings, which are about 8 feet (2.4 m) high.

What is one feature on the APs that can help the customer comply with PCI DSS?

- A. Anomaly-based threat detection
- B. Smart Rate ports
- C. Physical security with Kensington Security Slots
- D. User and Entity Behavior Analytics (UEBA)

Correct Answer: B

---

### QUESTION 5



Refer to the exhibit.

| Line#              | Part Number | Description                                   | Manufacturer             |
|--------------------|-------------|---|--------------------------|
| 1.00               | JY680A      | Aruba AP-303H (US) Unified AP                 | Hewlett Packard Enter... |
| 1.01               | H6PQ1E      | Aruba 1Y FC NBD Exch AP-303H SVC [for JY680A] | Hewlett Packard Enter... |
| <b>Quote Total</b> |             |   |                          |

A hotel needs a wireless solution, i he hotel has 802.3af switches.

The architect has selected the 505H Series, controlled by a local MC as the best choice The 5QoH series will need to power a connected phor which have only a single Ethernet port. The architect has created the BOM shown in the exhibit.

(Note that this portion of the BOM does not inc.

Which correction should the architect make?

- A. Change the 5Q5H to the 3Q3HR model.
- B. Remove the mounting adapters.
- C. Propose new direct power source for phone.
- D. Upgrade to PoE+ switches.

Correct Answer: C

[HPE6-A80 PDF Dumps](#)

[HPE6-A80 VCE Dumps](#)

[HPE6-A80 Exam Questions](#)