



# HPE6-A75<sup>Q&As</sup>

Aruba Certified Edge Professional Exam

**Pass HP HPE6-A75 Exam with 100% Guarantee**

Free Download Real Questions & Answers **PDF** and **VCE** file from:

<https://www.passapply.com/hpe6-a75.html>

100% Passing Guarantee  
100% Money Back Assurance

Following Questions and Answers are all new published by HP Official Exam Center

-  **Instant Download** After Purchase
-  **100% Money Back** Guarantee
-  **365 Days** Free Update
-  **800,000+** Satisfied Customers





### QUESTION 1

What must an OSPF router do when it receives a link state update?

- A. It must participate in a new election for the Designated Router and Backup DR.
- B. It must initiate a graceful restart timer.
- C. It must re-establish adjacency with its Designated Router and Backup DR.
- D. It must run the shortest path first algorithm.

Correct Answer: D

### QUESTION 2

Refer to the exhibit.

```
Switch-1# show link-keepalive

Status and Configuration - UniDirectional Link Detection (UDLD)

Keepalive Retries   : 4
Keepalive Interval : 5000 ms
Keepalive Mode      : forward-then-verify

Port  Enabled  Physical      Keepalive Adjacent      UDLD
-----  -----  -----      -----  -----      -----
A23   Yes       up            failure   00fd45-653ae9  untagged
```

Switch-1 and Switch-2 connect on interface A23. The switches experience a connectivity issue. The network administrator sees that both switches show this interface as up. The administrator sees the output shown in the exhibit on Switch-1.

What is a typical issue that could cause this output?

- A. a hardware issue, such as a broken cable
- B. asymmetric routing introduced by a routing configuration error
- C. an issue with queuing, caused by mismatched QoS settings
- D. mismatched IP addresses on the VLAN for the link

Correct Answer: A

### QUESTION 3



Refer to the exhibit.

Exhibit 1

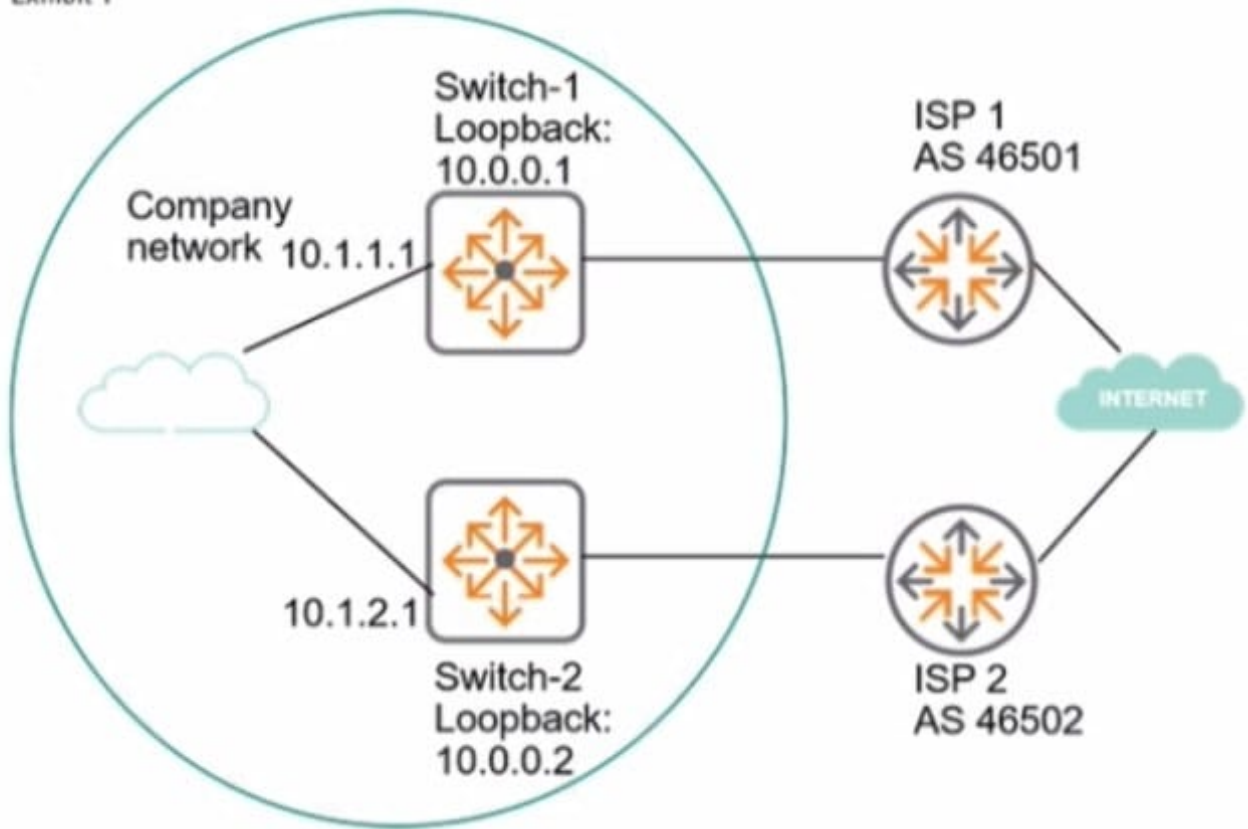




Exhibit 2

```
Switch-1# show ip bgp summary
```

```
Peer Information
```

Remote Address	Remote-AS	Local-AS	State	Admin Status
10.0.0.2	46500	46500	Connect	Start

```
Switch-1# show running-config router bgp
```

```
Running configuration:
```

```
router bgp 46500
  enable
  neighbor 10.0.0.2 remote-as 46500
  exit
```

```
Switch-2# show ip bgp summary
```

```
Peer Information
```

Remote Address	Remote-AS	Local-AS	State	Admin Status
10.0.0.1	46500	46500	Connect	Start

```
Switch-2# show running-config router bgp
```

```
Running configuration:
```

```
router bgp 46500
  enable
  neighbor 10.0.0.1 remote-as 46500
  exit
```

The network administrator needs to set up BGP between the two company switches. Switch-1 and Switch

2. The BGP connection does not establish. Based on the exhibits, what does the administrator need to do to fix the issue?

- A. Enable the multihop option for the neighbor on each of the switches.
- B. Enter the network command for 10.0.0.0/24 in the router BGP mode on each switch.
- C. Enable BGP on the interfaces that the switches use to reach each other.
- D. Set the update source for the neighbor to the local loopback interface on each switch.

Correct Answer: D



#### QUESTION 4

Refer to the exhibit.

Configuration » Identity » Local Users

### Local Users

Filter: Role contains employee

#	<input type="checkbox"/>	User ID ▲	Name	Role
1.	<input type="checkbox"/>	john	john	[Employee]
2.	<input type="checkbox"/>	mike	mike	[Employee]
3.	<input type="checkbox"/>	neil	neil	[Employee]

Showing 1-3 of 3

Exhibit: accp67-378

- A. mike
- B. We can't know this from the screenshot above.
- C. Employee
- D. john

Correct Answer: B

#### QUESTION 5

An administrator wants to implement bandwidth limits for guest users to restrict their Internet usage. On the Mobility Master (MM), where would the administrator define these limits?

- A. User role
- B. Firewall policy
- C. AAA policy
- D. 802.1X policy

Correct Answer: B

[HPE6-A75 PDF Dumps](#)

[HPE6-A75 VCE Dumps](#)

[HPE6-A75 Practice Test](#)