



HPE6-A45^{Q&As}

Implementing Aruba Campus Switching solutions

Pass HP HPE6-A45 Exam with 100% Guarantee

Free Download Real Questions & Answers **PDF** and **VCE** file from:

<https://www.passapply.com/hpe6-a45.html>

100% Passing Guarantee
100% Money Back Assurance

Following Questions and Answers are all new published by HP Official Exam Center

-  **Instant Download** After Purchase
-  **100% Money Back** Guarantee
-  **365 Days** Free Update
-  **800,000+** Satisfied Customers

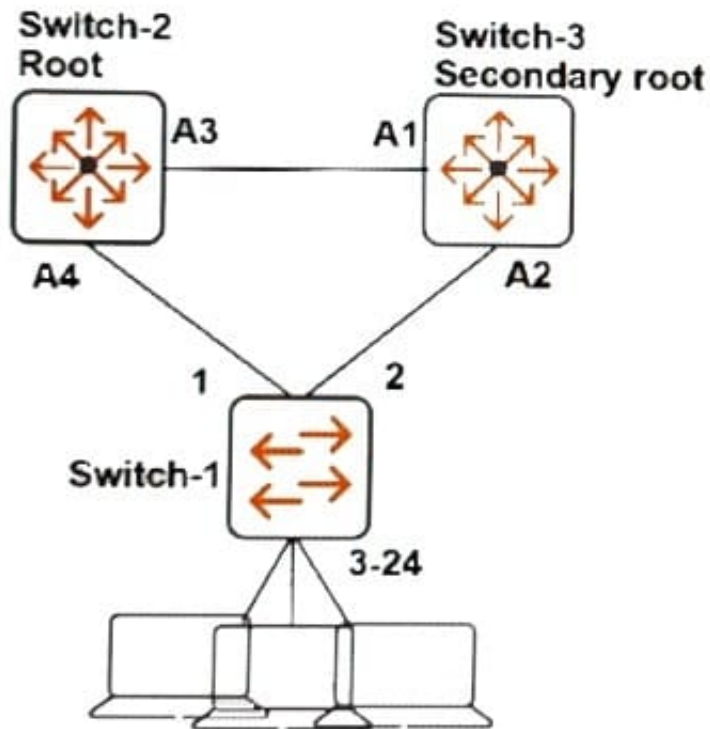




QUESTION 1

Refer to the exhibit.

Refer to the exhibit.



A network administrator wants to add the protections of root guard to the network. Based on the spanning tree topology, on which ports should the network administrator implement root guard?

- A. 3-24
- B. 1 and 2
- C. A1 and A2
- D. 2 and A3

Correct Answer: C

QUESTION 2

Refer to the exhibits.

Exhibit 1.

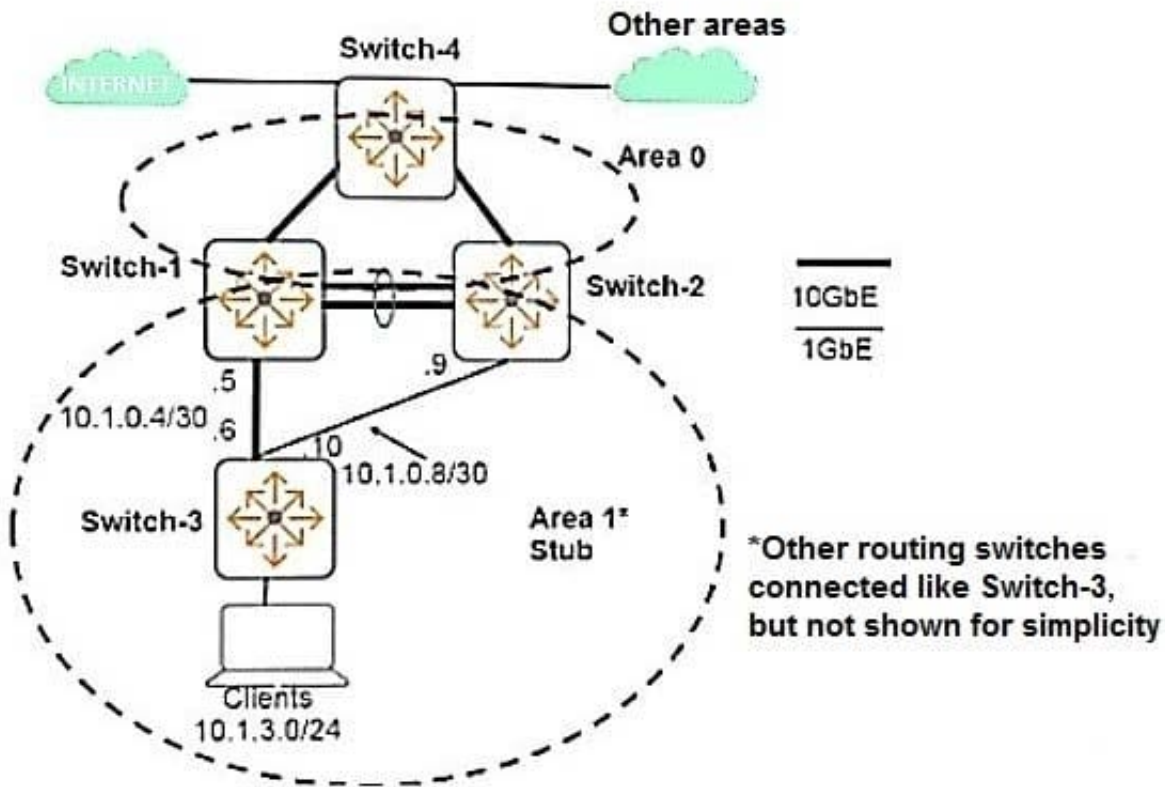


Exhibit 2.

```
Switch-3(config)# show ip route
IP Route Entries
```

Destination	Gateway	VLAN	Type	Sub-Type	Metric	Dist.
0.0.0.0/0	10.1.0.5	104	ospf	InterArea	2	110
0.0.0.0/0	10.1.0.9	108	ospf	InterArea	2	110
10.1.0.4/30	ToSwitch-1	104	connected		1	0
10.1.0.8/30	ToSwitch-2	108	connected		1	0
10.1.3.0/24	Clients	130	connected		1	0
10.1.4.0/24	10.1.0.5	104	ospf	IntraArea	3	110
10.1.4.0/24	10.1.0.9	108	ospf	IntraArea	3	110
10.2.0.0/16	10.1.0.5	104	ospf	InterArea	2	110
10.2.0.0/16	10.1.0.9	108	ospf	InterArea	2	110
127.0.0.0/8	reject		static		0	0
127.0.0.1/32	lo0		connected		1	0

The exhibits show the current operational state for routes on Switch-3. The company wants Switch-3 to prefer the link to Switch-1 over the link to Switch-2 for all intra-area, inter-area, and external traffic.

What can the network administrator do to achieve this goal?

A. Set the OSPF cost on VLAN 108 higher than 1 on Switch-2 and Switch-3.

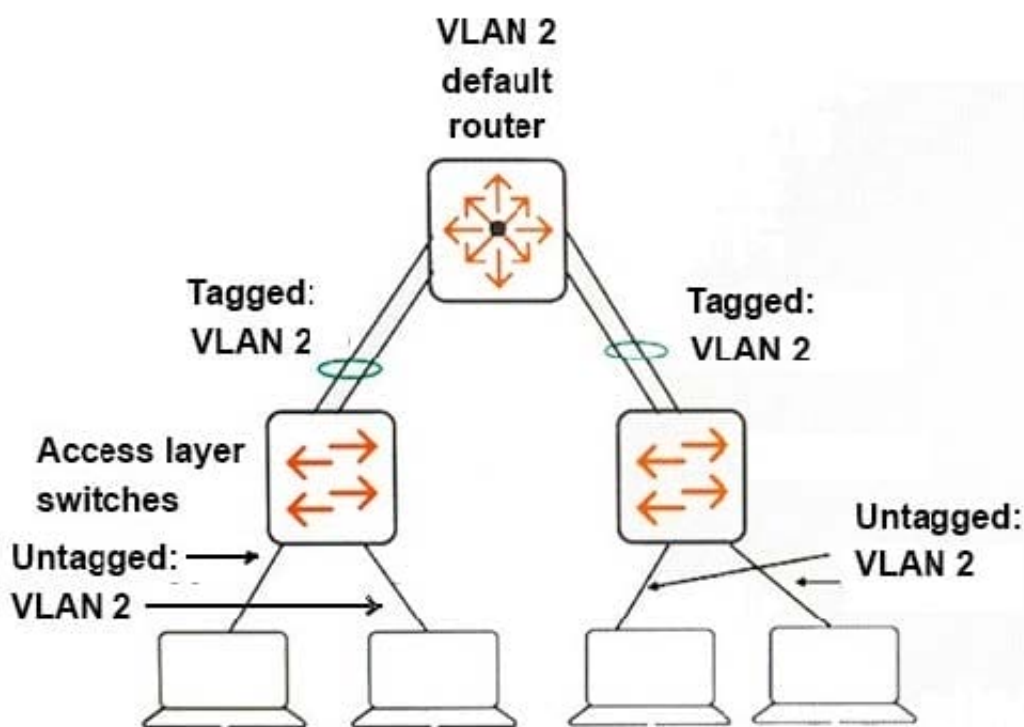


- B. Set the OSPF administrative distance on Switch-2 higher than 110.
- C. Set the OSPF area type to normal on all of the switches in Area 1.
- D. Set the cost in the OSPF Area 1 stub command higher than 1 on Switch-2.

Correct Answer: D

QUESTION 3

Refer to the exhibit.



The access layer AOS-Switches currently run DHCP snooping on VLAN 2 and connection rate filtering on edge ports. They are at default settings for ARP protection. A network administrator then enters these commands on each of the access layer switches:

```
Switch(config)# arp-protect vlan 2 Switch(config)# arp-protect
```

Which behavior occurs?

- A. The switches will forward legitimate traffic and prevent ARP poisoning attacks, but interfere with connection rate filtering.
- B. The switches can now prevent ARP poisoning attacks and do not interfere with legitimate communications.
- C. The switches can prevent ARP poisoning attacks, but legitimate communications with VLAN 2 could also be disrupted.
- D. The switches will not apply ARP protection due to interference from DHCP snooping, so the commands have no effect.



effect on current behavior.

Correct Answer: B

QUESTION 4

An AOS-Switch uses tunneled node. What is a best practice for the path between an AOS-Switch and its Mobility Controller?

- A. The path can support jumbo frames
- B. The path has a device that applies NAT
- C. The path implements MACsec
- D. The path crosses no VLAN boundaries

Correct Answer: A

QUESTION 5

Refer to the exhibits

Exhibit 1

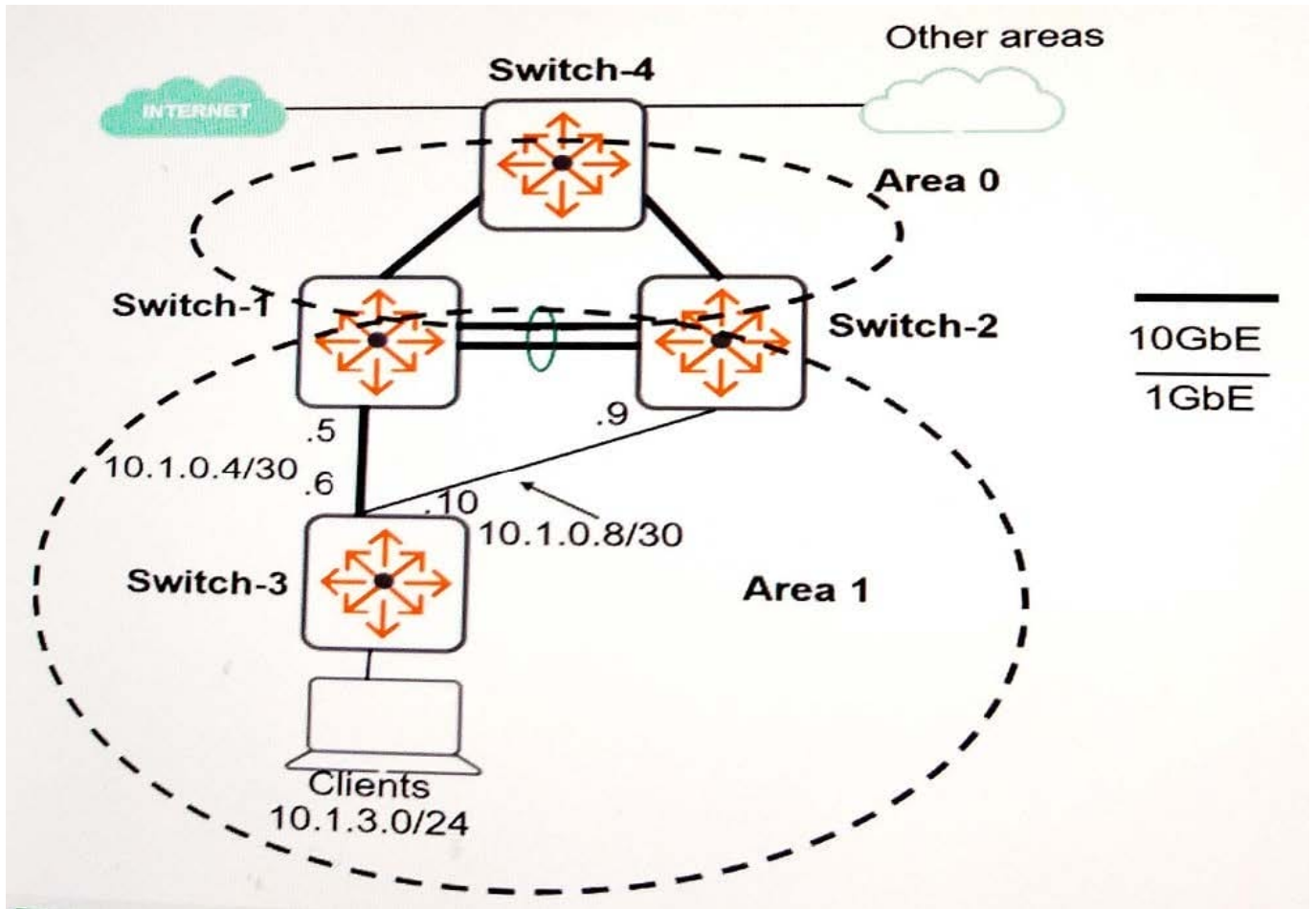


Exhibit 2



```
Switch-1 partial running-config
router ospf
  area backbone
  area 0.0.0.1 stub 1 no-summary
```

```
Switch-2 partial running-config
router ospf
  area backbone
  area 0.0.0.1 stub 1 no-summary
```

```
Switch-3 partial running-config
vlan 104
  ip address 10.1.0.6 255.255.255.252
  ip ospf area 0.0.0.1
  untagged a24
vlan 108
  ip address 10.1.0.10 255.255.255.252
  ip ospf area 0.0.0.1
  untagged a1
router ospf
  area 0.0.0.1 stub 1
```

Both Switch-1 and Switch-2 have an OSPF inter-area route to 10.2.0.0/16 with metric 10 in their IP routing table. Switch-3 has the default setting for ECMP. Based on the exhibits, what should the Switch-3 routing table display if the network operates as normal?

- A. no route to 10.2.0.0/16
- B. two routes to 10.2.0.0/16 through both 10.1.0.1 and 10.1.0.5
- C. a route to 10.2.0.0/16 through 10.1.0.5
- D. a route to 10.2.0.0/16 through 10.1.0.1

Correct Answer: A