



HPE6-A45^{Q&As}

Implementing Aruba Campus Switching solutions

Pass HP HPE6-A45 Exam with 100% Guarantee

Free Download Real Questions & Answers **PDF** and **VCE** file from:

<https://www.passapply.com/hpe6-a45.html>

100% Passing Guarantee
100% Money Back Assurance

Following Questions and Answers are all new published by HP Official Exam Center

-  **Instant Download** After Purchase
-  **100% Money Back** Guarantee
-  **365 Days** Free Update
-  **800,000+** Satisfied Customers



**QUESTION 1**

Refer to the exhibit.

Refer to the exhibit.

```
Switch-1# show running-config interface 5
```

Running configuration:

```
interface 5
  rate-limit all in percent 30
  untagged vlan 2
  loop-protect
  exit
```

```
Switch-1# show running-config vlan 20
```

Running configuration:

```
vlan 20
  untagged 1-20
  dhcp-snooping
  arp-protect
  exit
```

The exhibit shows configurations for interface 5 and VLAN 20. Note that DHCP snooping and ARP protection are also enabled.

A network administrator finds that interface 5 on an AOS-Switch is disabled. The administrator re-enables the interface, but it shuts down again.

What should the administrator investigate?

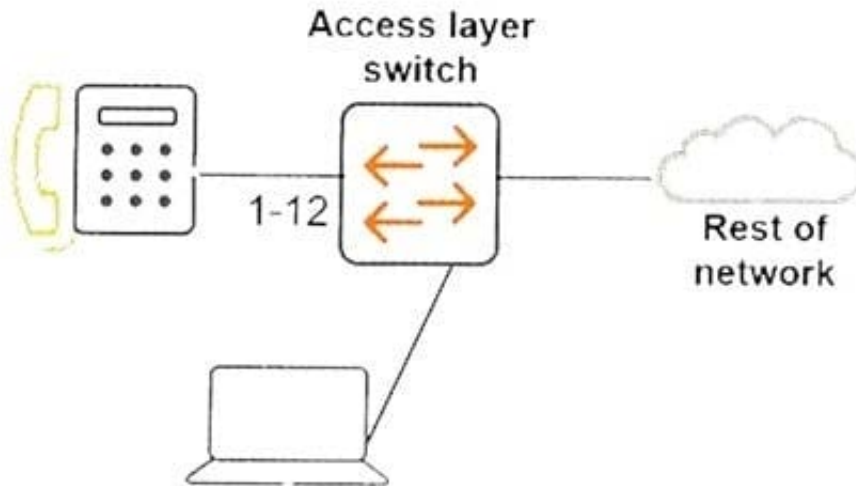
- A. a device that sends too much unicast traffic
- B. rogue DHCP server
- C. a loop on the interface
- D. a device that sends unauthorized ARP messages



Correct Answer: C

QUESTION 2

Refer to the exhibits. Exhibit 1 Exhibit 2



Switches partial running-config

```
aaa port-access local-mac mac-group "myphones"  
  mac-oui 2c4138  
  exit  
aaa port-access local-mac profile "myphones"  
  vlan untagged 3  
  cos 5  
  exit  
aaa port-access local-mac apply profile "myphones" mac-group  
"myphones"  
aaa port-access local-mac 1-12
```

A company does not require authentication for security, but AOS-Switches are set up to use local MAC authentication (LMA) to assign the correct VLAN and priority to IP phones. IP phones and computers belong to different VLANs. Each device is supposed to connect to a specific port, but sometimes users connect their devices to the wrong ports and cannot receive access without help from IT.

How can a network administrator configure the switches to eliminate this issue?

- A. Set the address limit to 2 on the switch ports that apply LMA.
- B. Create a user role that applies the user VLAN, and set this role as the initial role.
- C. Add the MAC addresses for computers to the myPhones MAC group.



D. Apply LMA to all edge switch ports, and set the unauth VLAN to the user VLAN.

Correct Answer: C

QUESTION 3

Refer to the exhibits. Exhibit 1

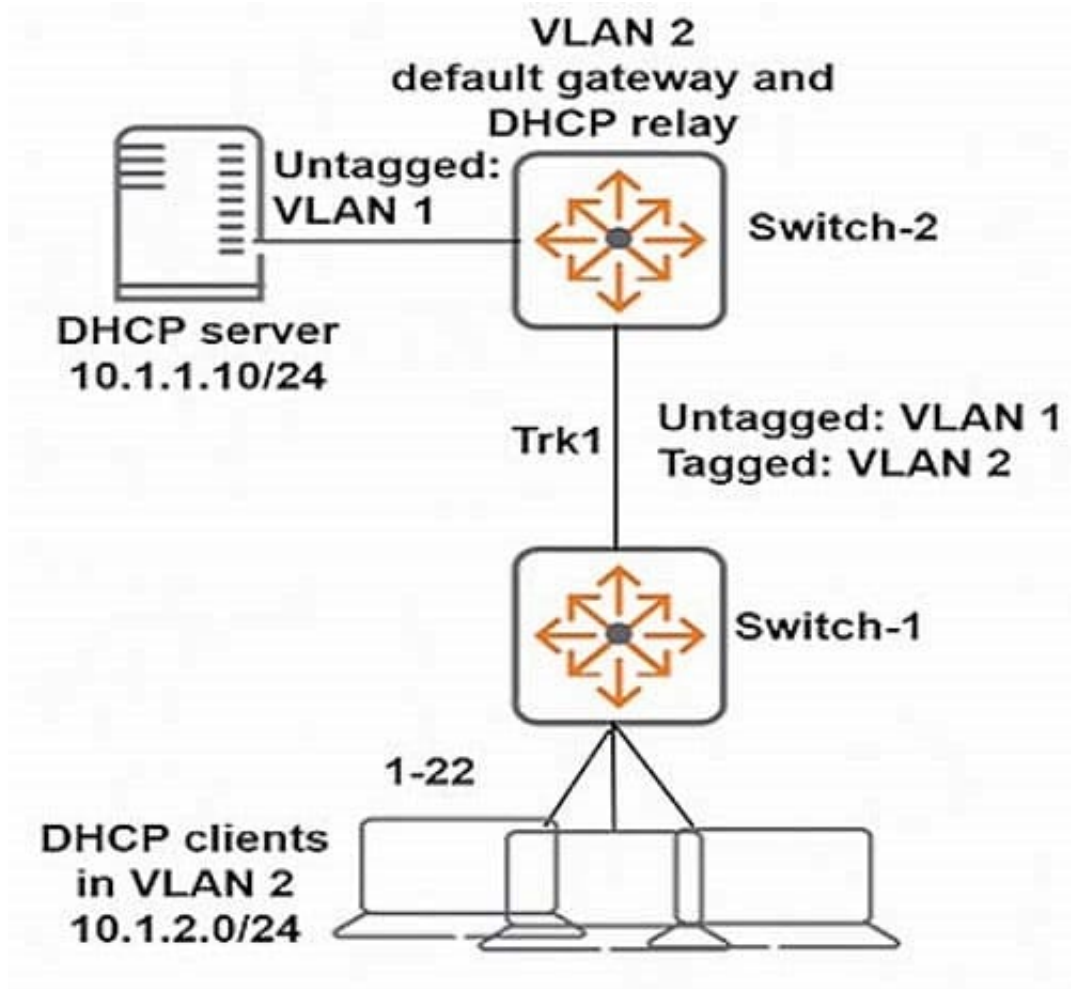


Exhibit 2 Which change to the environment would cause clients to fail to receive DHCP settings?



```
DHCP Snooping           : Yes
Enabled VLANs          : 2
Verify MAC address      : Yes
Option 82 untrusted policy : drop
Option 82 insertion     : Yes
Option 82 remote-id     : mac
Store lease database     : Not configured
```

Authorized Servers

10.1.1.10

Port	Trust	Max Bindings	Current Static	Bindings Dynamic
Trk1	Yes	-	-	-

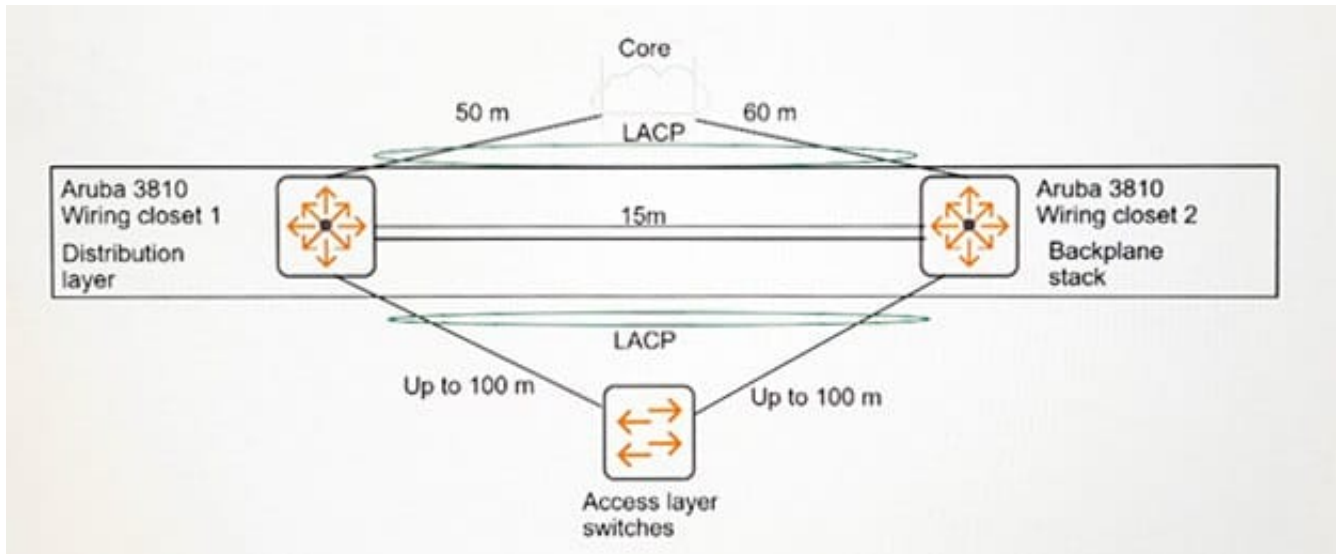
Ports 1-22 are untrusted

- A. the addition of a new link to the link aggregation between Switch-1 and Switch-2
- B. the addition of a new VLAN on the link aggregation between Switch-1 and Switch-2
- C. a change in the Switch-1 option 82 policy to replace
- D. a change of IP address on the network DHCP server

Correct Answer: C

QUESTION 4

Refer to the exhibit.



A company requires distribution layer switches that can provide Layer 2 and Layer 3 redundancy. The exhibit shows the proposal for these switches.

Which change to the proposal will help meet the company's requirements?

- A. The proposed switches should be replaced with switches such as the Aruba 2930M to support the backplane stacking technology.
- B. VRRP should be implemented instead of backplane stacking to support the Layer 3 redundancy requirements.
- C. Link aggregations should be established without LACP to support the Layer 2 redundancy requirements and backplane stacking limitations.
- D. The proposed switches should be replaced with switches that support VSF to support the required distance between stack members.

Correct Answer: C

QUESTION 5

A customer wants to authenticate AOS-Switch managers to a RADIUS server. The CIO wants to assign different rights to different management users for granular control over their rights and privileges.

What must the network administrator enable on the AOS-Switches to ensure they comply with this plan?

- A. RADIUS-based command authorization
- B. a manager and operator password
- C. authentication login privileges
- D. SNMPv3 and SNMPv3 restricted access.

Correct Answer: C



[HPE6-A45 PDF Dumps](#)

[HPE6-A45 Practice Test](#)

[HPE6-A45 Braindumps](#)