



HPE6-A45^{Q&As}

Implementing Aruba Campus Switching solutions

Pass HP HPE6-A45 Exam with 100% Guarantee

Free Download Real Questions & Answers **PDF** and **VCE** file from:

<https://www.passapply.com/hpe6-a45.html>

100% Passing Guarantee
100% Money Back Assurance

Following Questions and Answers are all new published by HP Official Exam Center

-  **Instant Download** After Purchase
-  **100% Money Back** Guarantee
-  **365 Days** Free Update
-  **800,000+** Satisfied Customers





QUESTION 1

AOS-Switch runs IGMP in data-driven mode. What behavior does it exhibit?

- A. It drops multicasts destined to groups that have no members
- B. It preempts the querier role even if another device has higher priority
- C. It floods multicasts on all ports in the VLAN if the group has at least one member
- D. It disables automatic fast leave on ports that connect to a single device

Correct Answer: A

QUESTION 2

A network administrator enters this command on an AOS-Switch:

```
Switch(config)# radius-server host 10.1.3.3 time-window 60
```

Which behavior will the switch show?

- A. It will wait one minute for a response from the RADIUS server before it sends another message
- B. It will reject RADIUS server change of authorization (CoA) messages with timestamps that are more than one minute old
- C. It will maintain idle user sessions for one minute before it re-authenticates the user to the RADIUS server
- D. It will give supplicants up to one minute to respond to RADIUS challenges before it considers authentication failed

Correct Answer: A

QUESTION 3

Refer to the exhibits. Exhibit 1

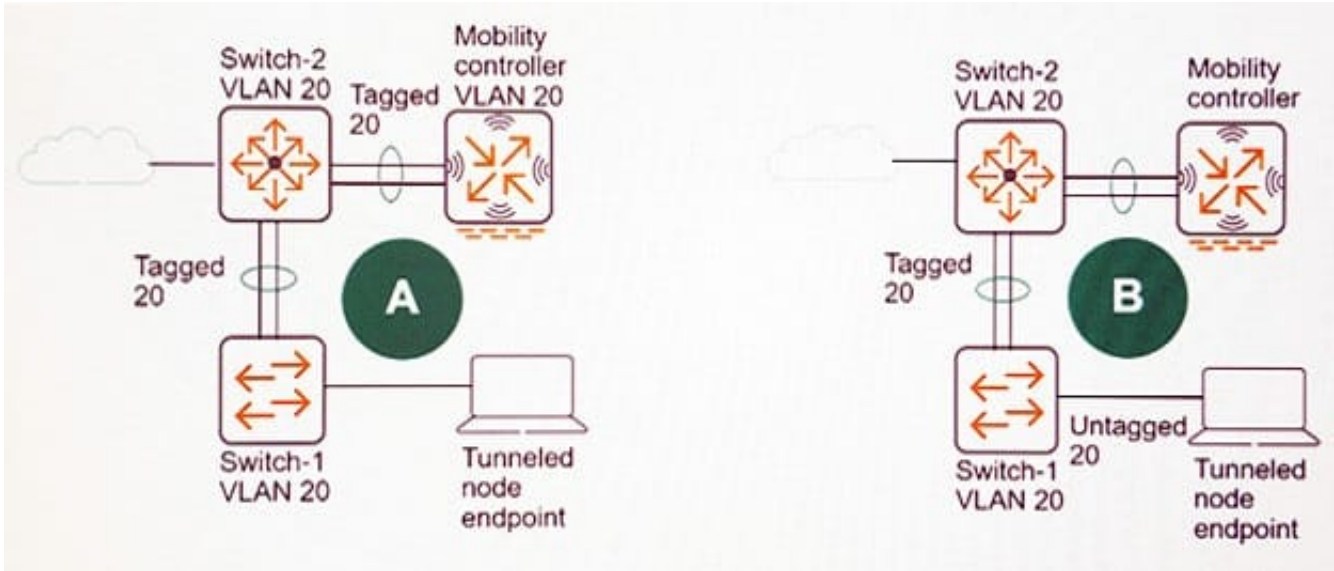
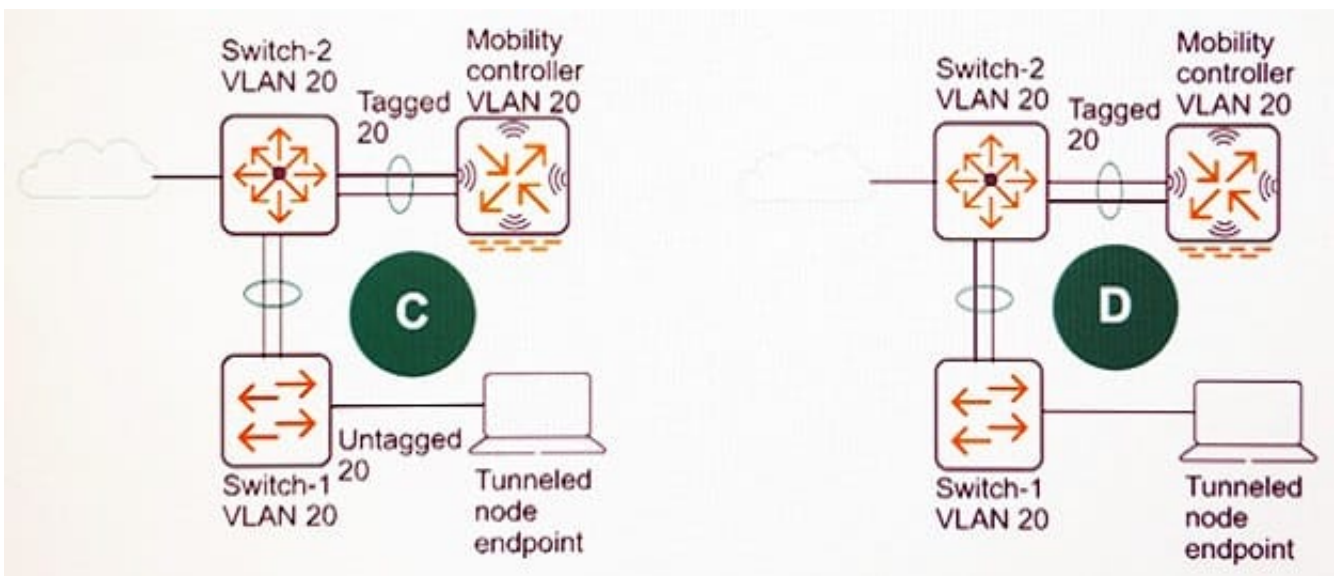


Exhibit 2



In the exhibits, VLAN 20 under a device name indicates that the device is configured with that VLAN. The exhibits also indicate whether VLAN 20 is statically configured on each link, either as an untagged or a tagged VLAN. If the link has no label, VLAN 20 is not statically configured on that link.

A network administrator needs to deploy AOS-Switches that use port-based tunneled node. The plan calls for tunneled-node endpoints to be assigned to VLAN 20 and for the Aruba Mobility Controller to handle the tunneled-node traffic at Layer 2.

Which exhibit shows the correct plan for VLAN 20 in the wired infrastructure?

- A. A
- B. B
- C. C
- D. D



Correct Answer: B

QUESTION 4

Refer to the exhibit.

```
Switch-1# show link-keepalive
Status and Configuration - UniDirectional Link Detection (UDLD)

Keepalive Retries      : 4
Keepalive Interval    : 5000 ms
Keepalive Mode        : forward-then-verify

Port  Enabled  Physical      Keepalive Adjacent      UDLD
-----  -
A23  Yes       up           failure 00fd45-653ae9  untagged
```

Switch-1 and Switch-2 connect on interface A23. The switches experience a connectivity issue. The network administrator sees that both switches show this interface as up. The administrator sees the output shown in the exhibit on Switch-1.

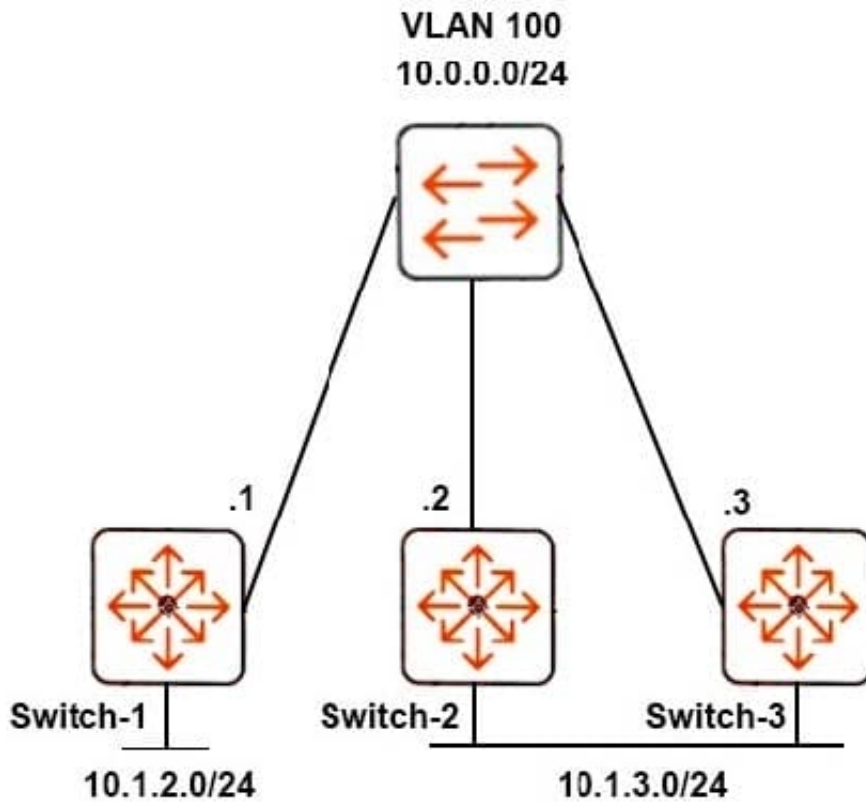
What is a typical issue that could cause this output?

- A. asymmetric routing introduced by a routing protocol
- B. an issue with VLAN mismatch
- C. mismatched subnet mask on the VLAN for the link
- D. a jumbo frame mismatch

Correct Answer: A

QUESTION 5

Refer to the exhibit.



The network administrator wants to reduce failover time if a switch link in VLAN 100 goes down.

What should the administrator do?

- A. Configure echo mode BFD on VLAN 100 on all OSPF routing devices on VLAN 100.
- B. Lower the dead timer on the BDR of VLAN 100.
- C. Lower the hello timer only on the BDR of VLAN 100.
- D. Configure graceful restart on all of the OSPF routing devices on VLAN 100.

Correct Answer: A

[Latest HPE6-A45 Dumps](#)

[HPE6-A45 PDF Dumps](#)

[HPE6-A45 Study Guide](#)