



HPE6-A41^{Q&As}

Applying Aruba Switching Fundamentals for Mobility

Pass HP HPE6-A41 Exam with 100% Guarantee

Free Download Real Questions & Answers **PDF** and **VCE** file from:

<https://www.passapply.com/hpe6-a41.html>

100% Passing Guarantee
100% Money Back Assurance

Following Questions and Answers are all new published by HP Official Exam Center

-  **Instant Download** After Purchase
-  **100% Money Back** Guarantee
-  **365 Days** Free Update
-  **800,000+** Satisfied Customers





QUESTION 1

Refer to the exhibit.

Exhibit 1.

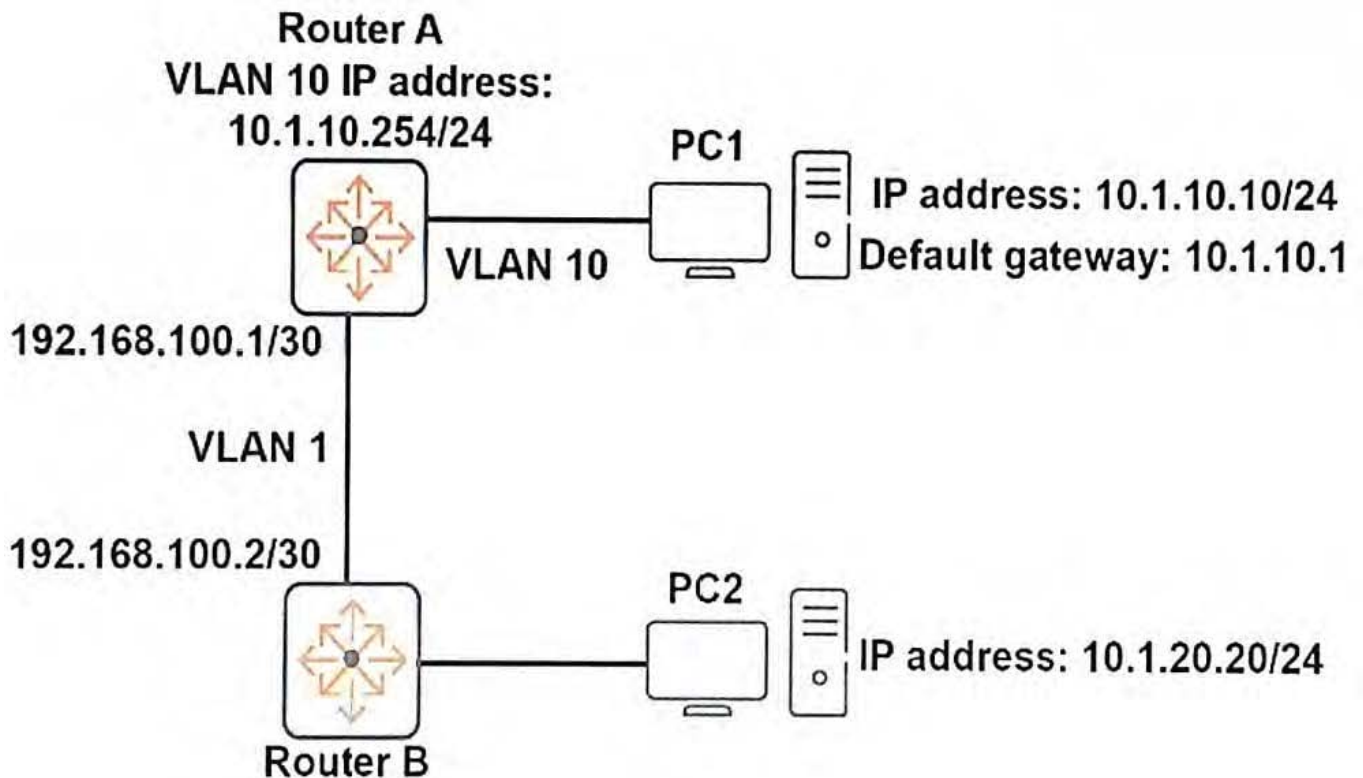


Exhibit 2.

```
Router A IP routing table
```

Destination Mask	Proto	NextHop	Interface
10.1.10.0/24	Direct	10.1.10.254	vlan10
10.1.20.0/24	Static	192.168.100.2	vlan1
192.168.100.0/30	Direct	192.168.100.1	vlan1

PC1 cannot reach PC2.

Based on the exhibits, what could be the cause of this issue?

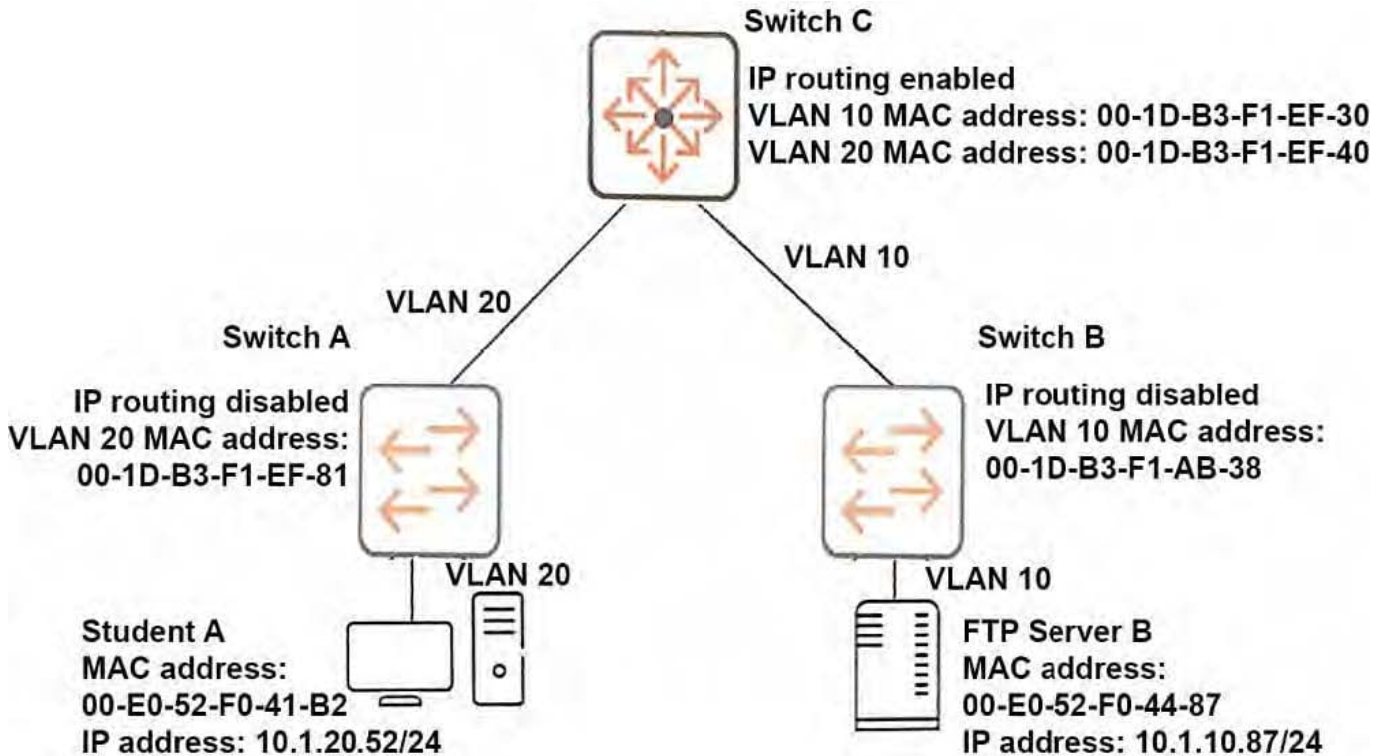
- A. PC1 has the wrong IP address for its default gateway setting.
- B. Router A has a direct route, instead of a static route, to 10.1.10.0/24.
- C. The next hop address for the 10.1.20.0/24 route is incorrect.
- D. Router A has an invalid subnet mask for the VLAN 1 subnet.

Correct Answer: A



QUESTION 2

Refer to the exhibit.



The student A client needs to connect to FTP Server B. Student A sends the necessary ARP request and receives a reply.

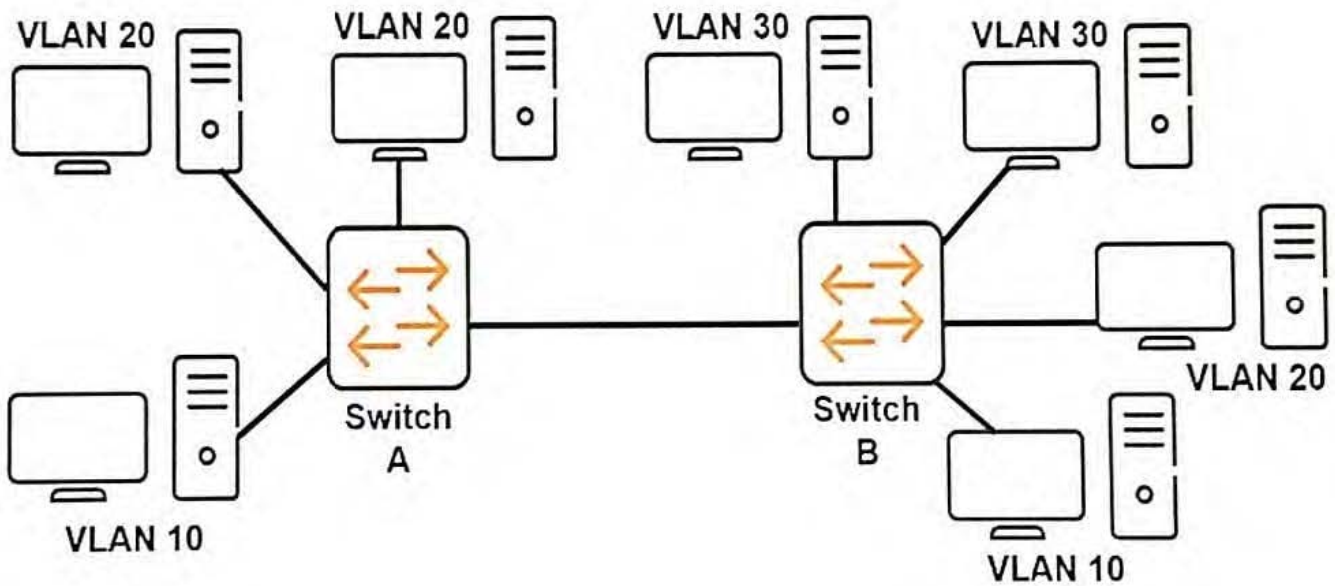
Which destination MAC address does the Student A client use in the FTP packet to FTP Server B?

- A. 00-1D-B3-F1-EF-40
- B. 00-E0-52-F0-44-87
- C. 00-1D-B3-F1-EF-31
- D. 00-E0-52-F0-41-B2

Correct Answer: A

QUESTION 3

Refer to the exhibit.



The network consists of two ArubaOS switches with routing disabled.

How should the network administrator configure the link between Switch A and Switch B to ensure that all hosts can communicate to all the other hosts within their respective VLANs?

- A. tagged for VLAN 20 and tagged for VLAN 30
- B. untagged for VLAN 10 and tagged for VLAN 30
- C. tagged for VLAN 10 and tagged for VLAN 20
- D. untagged for VLAN 10, untagged for VLAN 20, and tagged for VLAN 30

Correct Answer: C

QUESTION 4

Refer to the exhibit.

```
Switch# show spanning-tree 1, 19, 21 instance ist
<-output omitted ->
```

Port	Type	Cost	Priority	Role	State	Designated Bridge
1	100/1000T	20000	128	Designated	Forwarding	d4c9ef-851680
19	100/1000T	20000	128	Root	Forwarding	d07e28-cec94f
21	1/1000T	20000	128	Alternate	Blocking	d07e28-ced31e

This switch currently assigns all VLANs to MSTP instance 0 or the Internal Spanning Tree (IST).

Which statement correctly describes interface 21?

- A. The interface is down at Layer 2; it is not available for sending or receiving any traffic.
- B. The interface does not forward or accept data traffic, but it is ready to start forwarding if interface 19 fails.

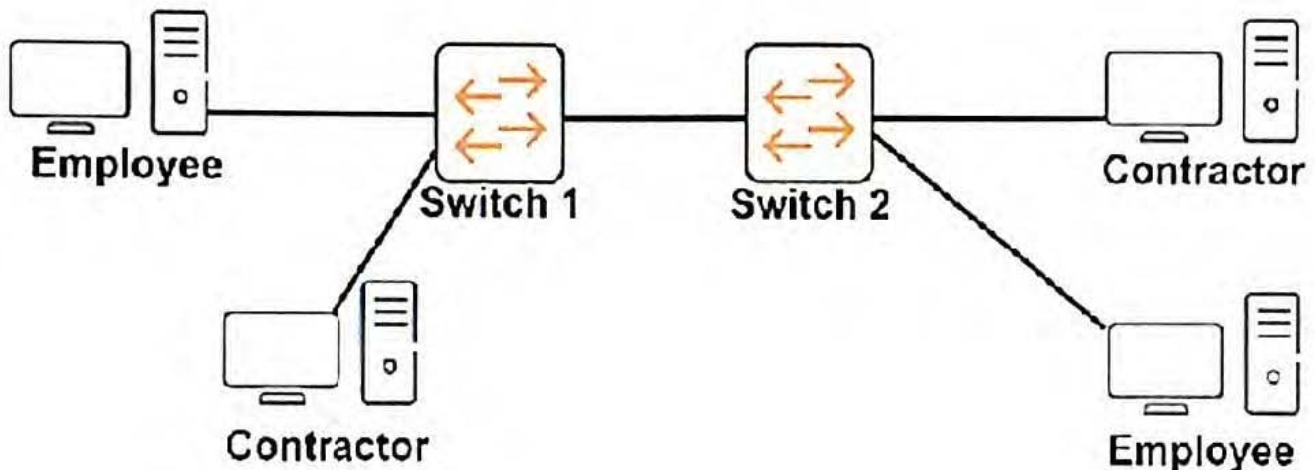


- C. The interface is an edge port but has received Bridge Protocol Data Units (BPDUs), so it is disabled.
- D. The interface does not support spanning tree; it is possible that it will introduce a loop in the network.

Correct Answer: B

QUESTION 5

Refer to the exhibit.



The network administrator wants to place contractor clients and employee clients in different broadcast domains.

How should the administrator achieve this goal?

- A. Add a router in between Switch 1 and Switch 2. Configure a different subnet on each router interface.
- B. Create two MSTP instances on each switch. Assign ports connected to contractor clients to one instance and ports connected to employee clients to the other instance.
- C. Assign the switch ports connected to contractor clients to one VLAN and ports connected to employee clients to another VLAN. Extend the VLANs between the switches.
- D. Create two device profiles. Apply one profile to ports connected to contractor clients, and apply the other profile to ports connected to employee clients.

Correct Answer: C

[Latest HPE6-A41 Dumps](#)

[HPE6-A41 PDF Dumps](#)

[HPE6-A41 VCE Dumps](#)